



PORTABLE LED SIGN CABINET INSTALLATION INSTRUCTION

INSTALLATION INSTRUCTIONS

Please read the instructions before installation and use.

WARNING

- Before installing, servicing, or performing routine maintenance upon this equipment, follow these general precautions
- Risk of fire or electric shock. LED fixture installation requires knowledge of luminaire electrical systems. If not qualified, do not attempt installation; contact a qualified electrician
- To reduce the risk of death, personal injury or property damage from fire, electric shock, failing parts, cuts/abrasions, and other hazards, read all warnings and instructions with and on the fixture box and all fixture labels
- To prevent wiring damage or abrasion, do not expose wiring to edges of sheet metal or other sharp objects
- Do not make or alter any open holes in an enclosure of wiring or electrical components during fixture installation
- Turn off electrical power at fuse or circuit breaker box before wiring fixture to the power supply
- Turn off the power when you perform any maintenance
- Verify that supply voltage is correct by comparing it with the luminaire label information
- Do not install in or on the surface of combustible materials or surfaces
- For freestanding applications, please make sure the universal wheel has the break engaged before turning on the sign
- For hanging applications, please make sure the carabiner is fully latched and secured to a suitable piece of mounting infrastructure that can support in excess of 70lbs
- Do not use outdoors or in places exposed to rain or water

Caution: Before installing, make certain that AC power to the fixture is off.
Caution: The electrical rating of this product is 120V. Installer must confirm that there is 120V at the fixture before installation.

CAUTION

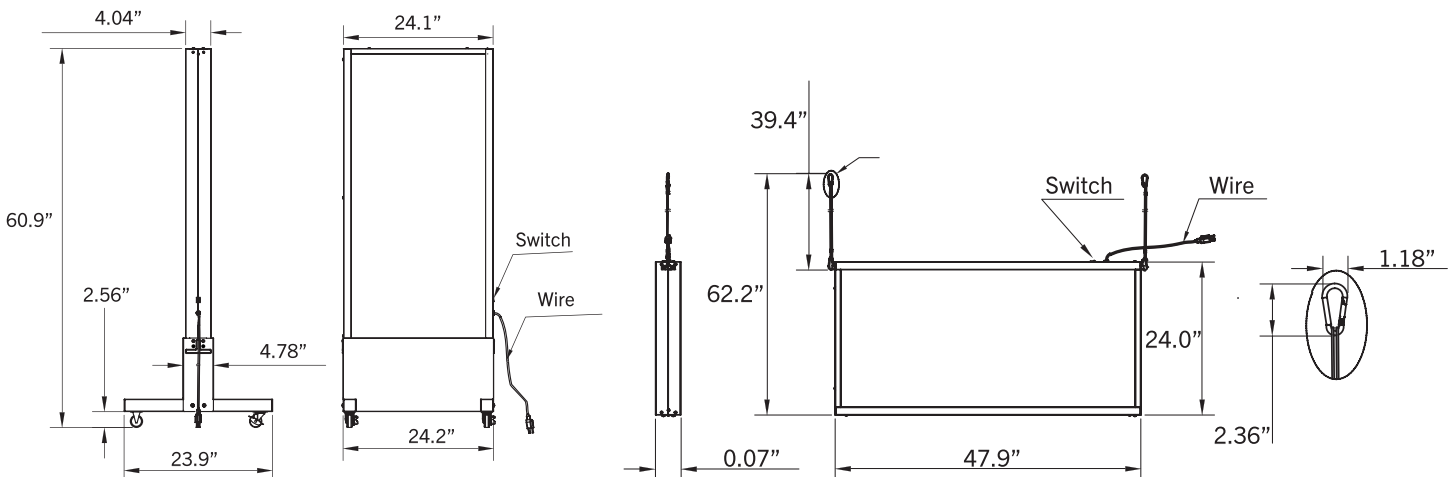
- Avoid direct eye exposure to the light source while it is on
- Account for small parts and destroy packing material, as these may be hazardous to children
- Please turn off power before cleaning. Do not wash or wipe down the sign when it is illuminated

NOTES

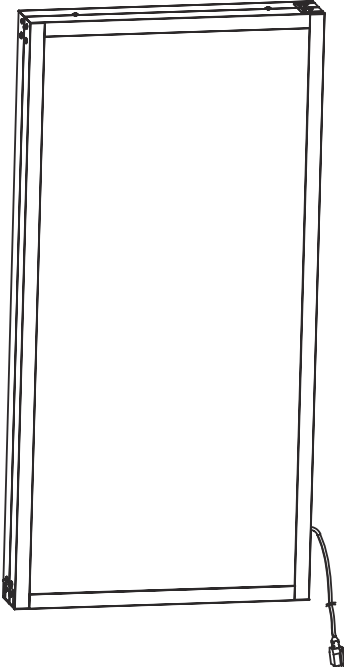

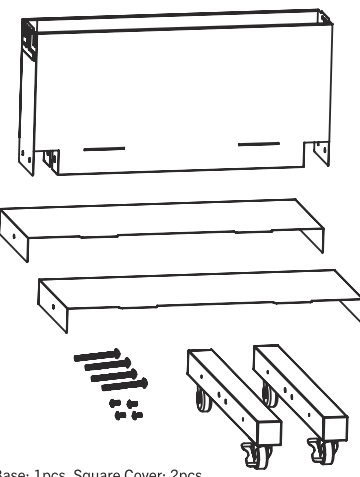
- Specifications and dimensions subject to change without notice

OPERATING AMBIENT TEMPERATURE: -20~35°C/F

DIMENSIONS:



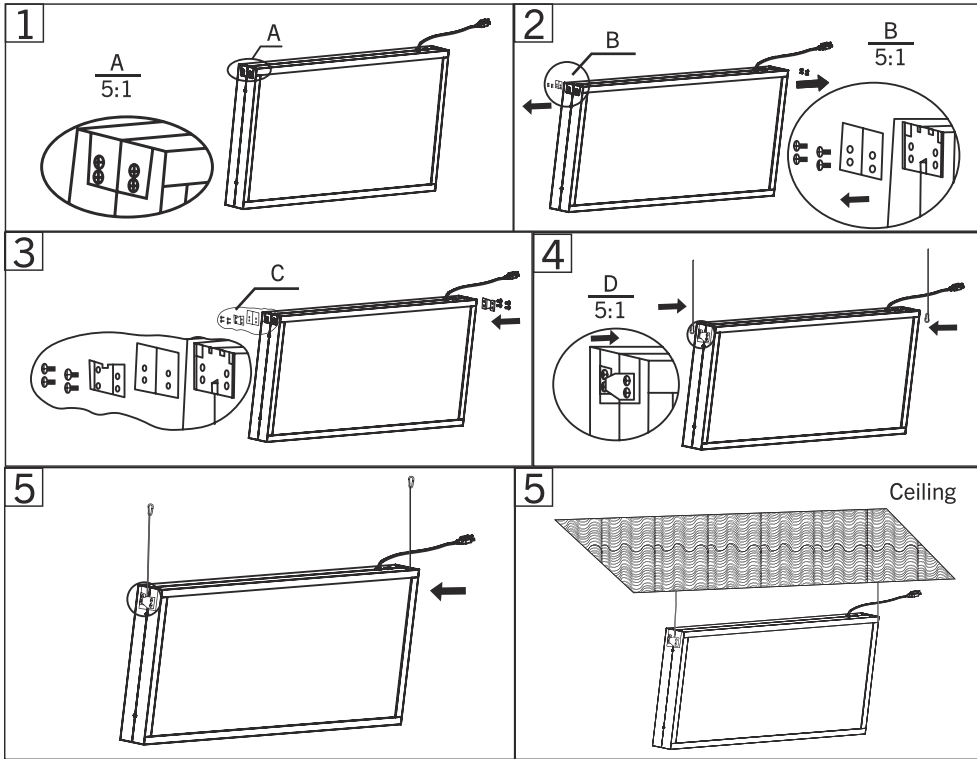
COMPONENTS AND ACCESSORIES

<p>1 Main Body</p> 	<p>2 Suspending Accessories</p>  <p>Hook: 2pcs Suspending Cable: 2pcs</p>	<p>3 Vertical Accessories</p>  <p>Base: 1pcs, Square Cover: 2pcs M6X60 Screw: 4pcs Screw M5X10: 4pcs Square foot with wheels: 2pcs</p>
---	---	---

Please identify all components are present and review the Warning and Caution instruction on page 1 for proper operation.

ASSEMBLY AND USE

A1. Hanging (Main body+accessories)

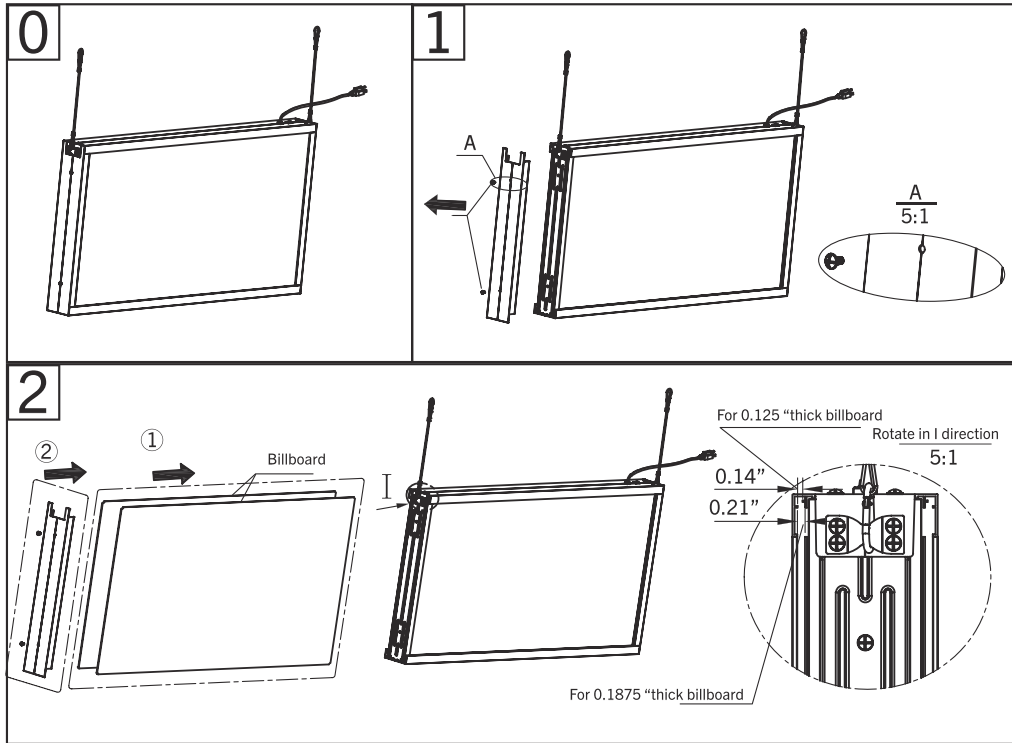


The assembly diagrams are numbered 1 through 5:

- 1:** Shows the sign with a hanging hook (A) being attached to the top edge. A 5:1 magnification view shows the hook fitting into the top frame.
- 2:** Shows the second hanging hook (B) being attached to the opposite side. A 5:1 magnification view shows the hook fitting into the top frame.
- 3:** Shows the suspension cables being attached to the hooks. A 5:1 magnification view shows the cable being secured to the hook.
- 4:** Shows the sign being held up by the cables. A 5:1 magnification view shows the cable being secured to the hook.
- 5:** Shows the sign being hung from a ceiling. The sign is suspended by the cables from a ceiling structure.

To use the sign for applications where it is to be hung from a ceiling, add the “hanging hook” brackets to the either side of the sign as per the drawings shown here. Attach the suspension cables to the hooks when complete. The suspension cables are to be secured to a suitable piece of ceiling infrastructure that can support the weight of the sign. Addition ceiling mount hardware is not included.

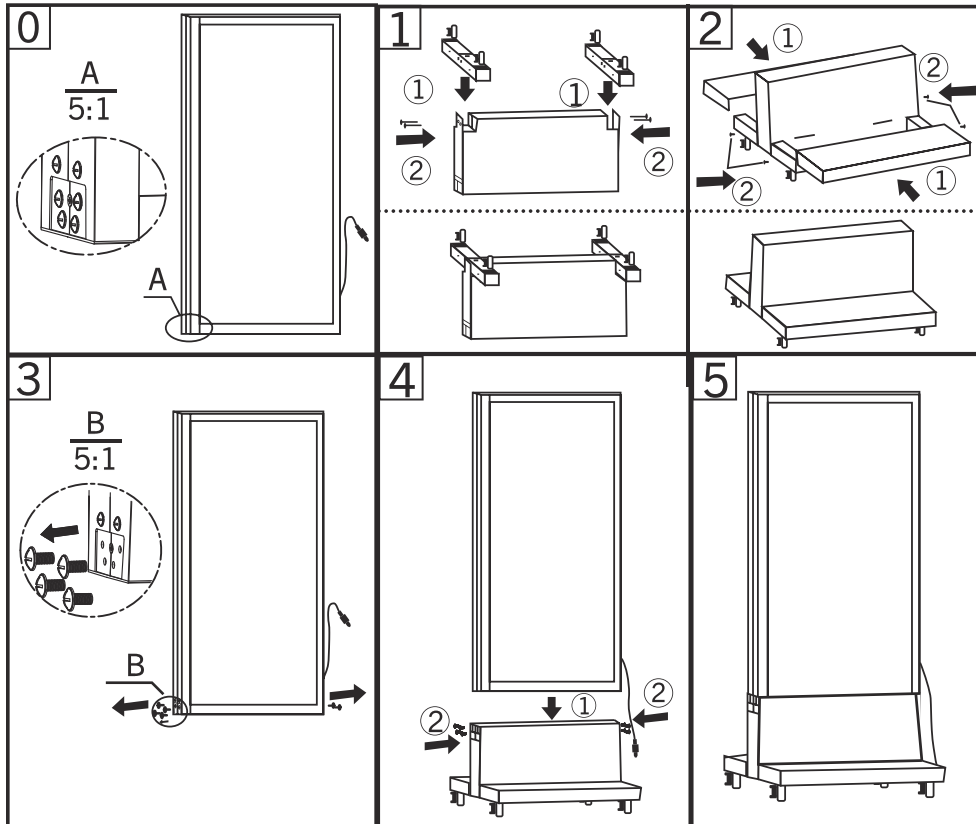
A2-2. Installing Sign Graphics (for Hanging Application)



This sign can accept 1/8" or 3/16" acrylic sheets for advertising or promotion needed. Remove (1) side panel as shown in the diagram here. Insert the graphic sheet(s) as needed and re-install the side panel.

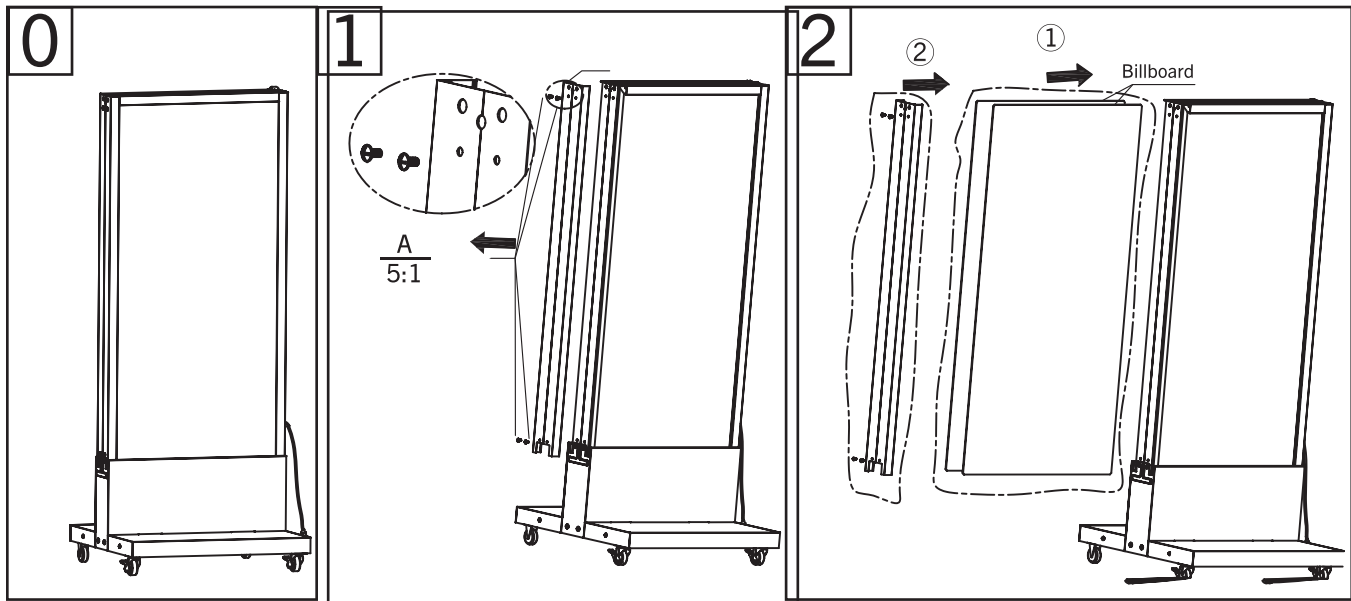
Note: As shown in the figure below, this light box has 14PCS countersunk head screws for fixing the frame of the light box. Do not disassemble under normal circumstances

B-1. Freestanding installation (Main body +accessories)



To use the sign for freestanding applications, attach the base and legs to the sign assembly as per the drawings shown here, using the included hardware.

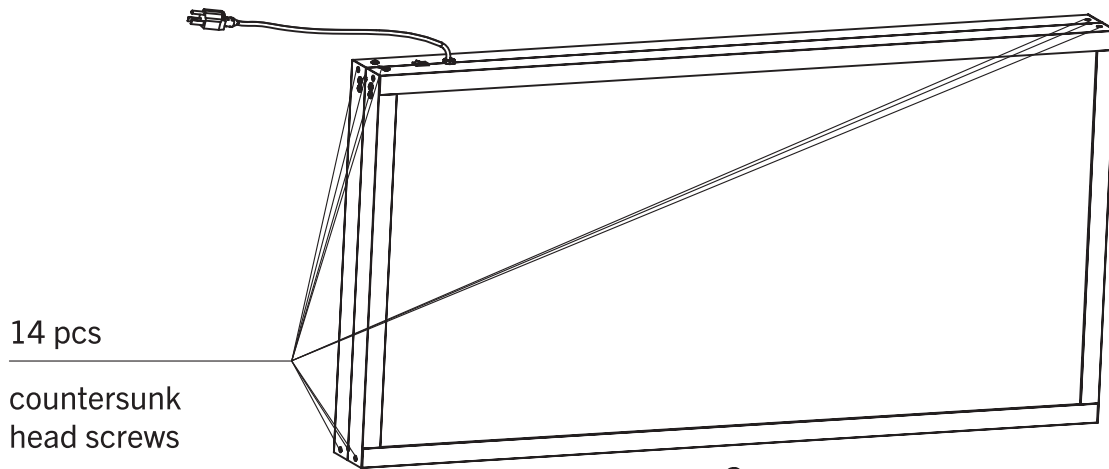
B-2. Installing Sign Graphics (for Freestanding Application)



This sign can accept 1/8" or 3/16" acrylic sheets for advertising or promotion needs. Remove (1) side panel as shown in the diagram here. Insert the graphic sheet(s) as needed and re-install the side panel

Note: As shown in the figure below, this light box has 14PCS countersunk head screws for fixing the frame of the light box. Do not disassemble under normal circumstances

OPERATION



14 pcs
countersunk
head screws



countersunk head screws (14pcs)

2. This light box is compatible with 1/8" or 3/16" acrylic sheets for advertising or promotion needs (47.73*23.85* 0.13In) and (47.42*23.52*0.19In)

Plug the supplied input power cord into a 120V power source. Ensure there are no trip hazards from power cord (for freestanding applications.) Turn the on/off rocker switch on the side of the sign to the "on" position to illuminate the sign.