

KT-LED11.5PAR38-NF-9XX /G2
 90W REPLACEMENT LAMP

DESCRIPTION

11.5W PAR38 Lamp | 2700–5000K | >90 CRI |
 Narrow Flood



LAMP TYPE: PAR38
BASE TYPE: E26 (Medium)
WATTAGE: 11.5W
COLOR TEMPERATURE: 2700–5000K
COLOR RENDERING INDEX (CRI): 90
WARRANTY: 3 Years
RATED LIFE: L70 (25,000 Hours)



TYPICAL APPLICATIONS

- Track-lighting
- Display
- Flood- and spot-lighting
- Outdoor fixtures

PRODUCT FEATURES

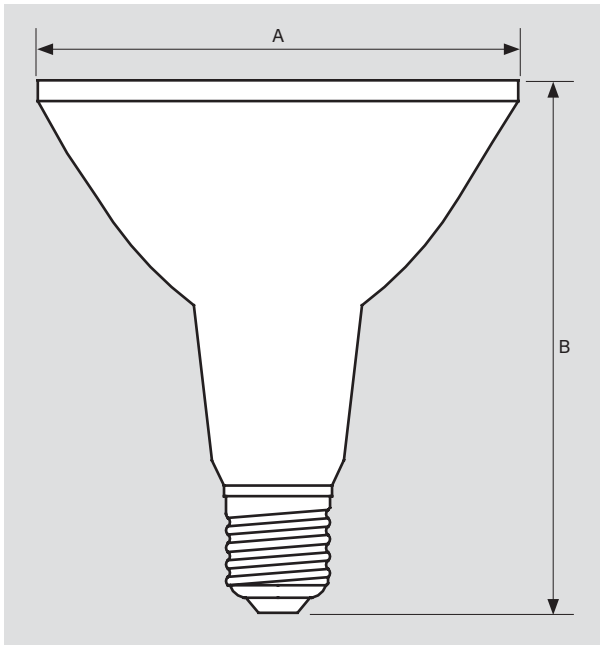
- Energy efficient, 80%+ energy savings over legacy equivalents
- Lower heat generation than legacy equivalents
- Smooth, uniform dimming
- HiCRI LEDs offer enhanced color rendering vs. 80 CRI LEDs, providing ideal clarity, representation, uniformity of illuminated area/objects
- Precision-crafted, full-face optics for precise beam angle control
- Durable plastic housing lowers the risk for breakage
- Long life minimizes replacement and maintenance costs
- Rated for use in wet locations
- Operating temperature range: –4°F/–20°C to 113°F/45°C
- PF: 0.90
- ANSI compliant construction ensures fitment for intended applications
- ETL Listed
- Meets Energy Star requirements
- Complies with Part 15 of FCC

PRODUCT SPECIFICATIONS

Keystone Catalog Number	Legacy Equivalent	Rated Lamp Wattage	CCT	Lumens	CRI	Efficacy	Beam Angle	Base Type	Dimmable
KT-LED11.5PAR38-NF-927 /G2	90W halogen	11.5W	2700K	1000	90	87 lm/W	25°	E26	Yes
KT-LED11.5PAR38-NF-930 /G2	90W halogen	11.5W	3000K	1000	90	87 lm/W	25°	E26	Yes
KT-LED11.5PAR38-NF-940 /G2	90W halogen	11.5W	4000K	1000	90	87 lm/W	25°	E26	Yes
KT-LED11.5PAR38-NF-950 /G2	90W halogen	11.5W	5000K	1000	90	87 lm/W	25°	E26	Yes

KT-LED11.5PAR38-NF-9XX /G2 REPLACEMENT LAMP

PHYSICAL SPECIFICATIONS



LAMP DIMENSIONS

A (Diameter)	4.72"
B (Length)	5.24"

BASE TYPE: E26 (Medium)

PACKAGING

Carton Quantity	24 pcs
Carton Dimensions	19.69" × 14.88" × 11.50"
Carton Weight	9.36 lbs

ORDERING INFORMATION

CATALOG NUMBER	UPC	EASY CODE	ENERGY STAR UNIQUE ID
KT-LED11.5PAR38-NF-927 /G2	843654151250	HKU-26	2545269
KT-LED11.5PAR38-NF-930 /G2	843654151267	NVF-48	2545270
KT-LED11.5PAR38-NF-940 /G2	843654151274	EJL-43	2545271
KT-LED11.5PAR38-NF-950 /G2	843654151281	UUP-74	2545272

CATALOG NUMBER BREAKDOWN

KT-LED11.5PAR38-NF-9XX /G2

1 2 3 4 5 6 7 8 9

- 1 Keystone Technologies
- 2 LED Lamp
- 3 Wattage
- 4 Parabolic Aluminized Reflector
- 5 Lamp Diameter (38/8")
- 6 Narrow Flood Lamp
- 7 90CRI
- 8 CCT
- 9 Generation 2