

KT-WLED44PS-4-8CSA-VDIM

LED WRAP FIXTURE

DESCRIPTION

4ft LED Wrap Fixture | 120-277V Input | Frosted Lens | 0-10V Dimming

APPLICATION

Used for commercial, retail, and residential applications



10 YEAR
LIMITED WARRANTY



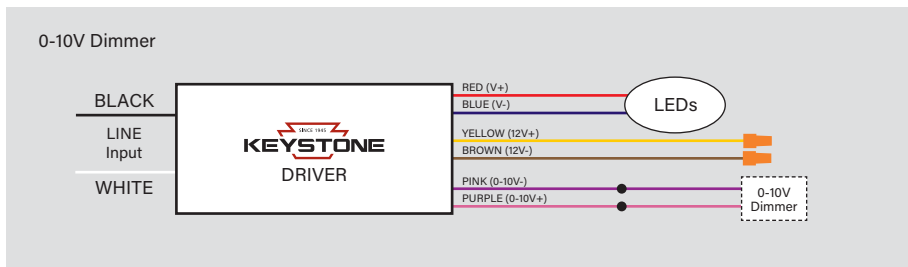
PRODUCT FEATURES

- Features Keystone Color Select technology. Adjust CCT between 3500K, 4000K, or 5000K
- Features Keystone Power Select technology. Adjust power between 44W, 28W, and 18W
- Powered by Keystone 0-10V dimming LED drivers with 12V Aux
- 1/2" NPS (.87" KO) on both ends of fixture, with internal wire way, for wire passage on end to end installations.
- Ambient operating temperature: -20°C/- 4°F to 45°C/113°F
- Compatible with Keystone SmartSafe emergency backups
- Suitable for installation within a clothes closet storage space
- LED lifetime: L70 >100,000 hours @ 25°C fixture ambient
- Low optical flicker
- THD: < 20%
- Power factor > 0.95

PERFORMANCE SPECIFICATIONS

Catalog Number	Input Voltage	Wattage	Color Temperature	Lumen Output	Efficacy	CRI	Power Factor	Lifetime
KT-WLED44PS-4-8CSA-VDIM	120-277V	44W	3500K	5,852	133 lm/W	> 80	> 0.90	50,000hrs
			4000K	5,896	134 lm/W			
			5000K	5,940	135 lm/W			
		28W	3500K	3,948	141 lm/W			
			4000K	3,976	142 lm/W			
			5000K	4,004	143 m/W			
		18W	3500K	2,664	148 lm/W			
			4000K	2,682	149 lm/W			
			5000K	2,700	150 lm/W			

WIRING DIAGRAMS

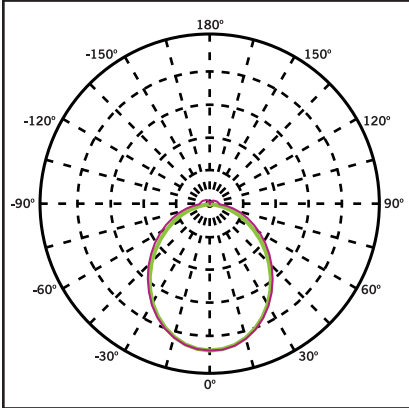


KT-WLED44PS-4-8CSA-VDIM

LED WRAP FIXTURE

PHOTOMETRIC SPECIFICATIONS

POLAR CANDELA DISTRIBUTION



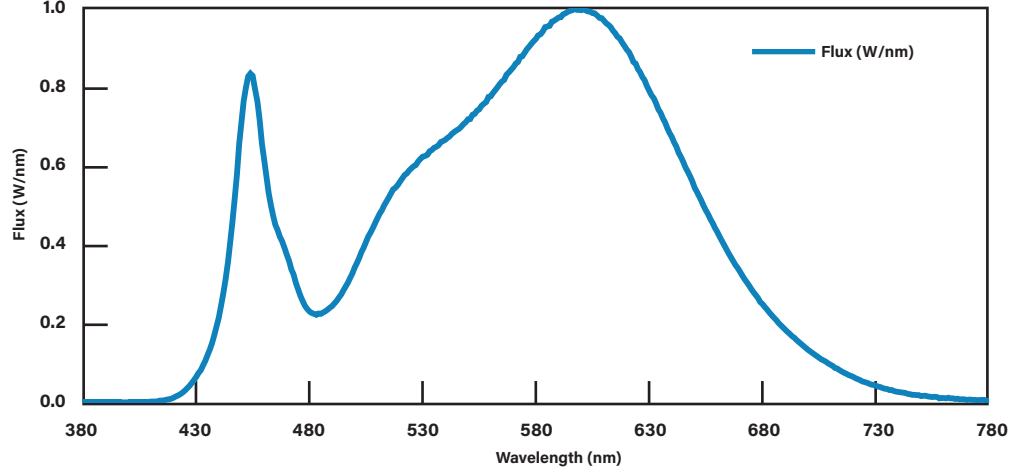
Maximum Candela = 2155.8
 Located at Horizontal Angle = 0,
 Vertical Angle 0

1. **Violet** Vertical Plane through Horizontal Angles (90-270)
2. **Green** Vertical Plane through Horizontal Angles (0-180)

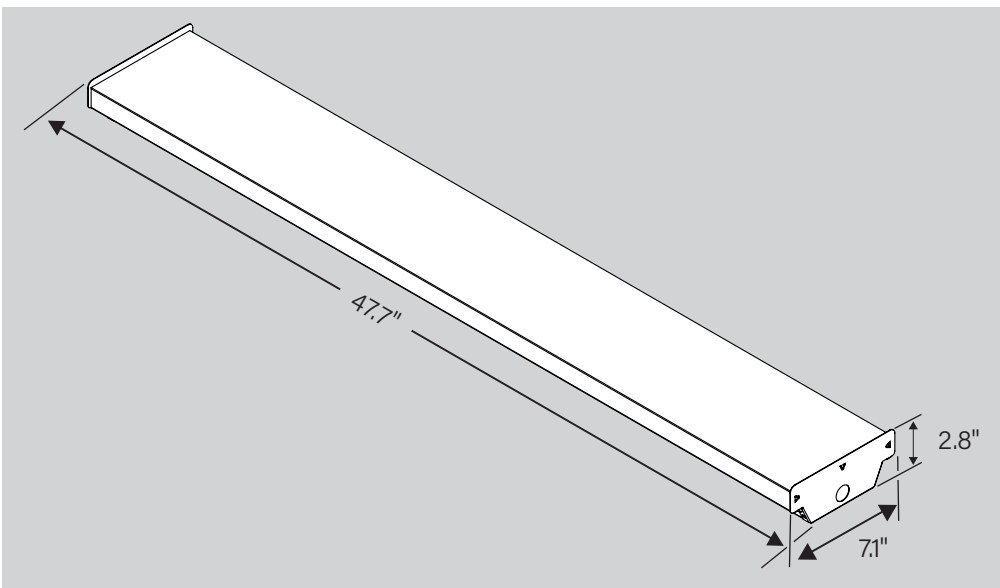
Beam Angle: 220°

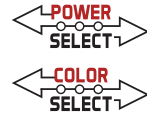
Visible Light Area: 325°

RELATIVE SPECTRAL POWER DISTRIBUTION



PHYSICAL SPECIFICATIONS





KT-WLED44PS-4-8CSA-VDIM

LED WRAP FIXTURE

ACCESSORIES (SOLD SEPARATELY)

ORDER CODE	DESCRIPTION
KTS-MW3-UV-KO-K2	Microwave Sensor Kit, Includes 120-277V input to 12V DC convertor, 12V input sensor head, Nomex Sleeve, Extension Neck
KT-EMRG-LED-4C-400-EN2	LED Emergency Back-Up, 4W Constant Wattage Design, Approx 400 lumens
KT-EMRG-LED-12C-1200	LED Emergency Back-Up, 12W Constant Wattage Design, Approx 1200 lumens

ORDERING INFORMATION

Order Code	Pack Quantity	UPC	Easy Code
KT-WLED44PS-4-8CSA-VDIM	4	843654137322	BEW-19

CATALOG NUMBER BREAKDOWN

KT-WLED44PS-4-8CSA-VDIM

1
2
3
4
5
6
7
8
9
10

1 Keystone Technologies

2 LED Wrap Fixture

3 Wattage

4 Power Select

5 4' Nominal Length

6 800 Series

7 Color Select

8 Color Select Designation

9 0-10V Dimming

10 Sensor Options

8 Color Select Designation

A	3500K, 4000K, 5000K
B	3000K, 4000K, 5000K
C	3000K, 3500K, 4000K, 5000K
D	TBD

10 Sensor Options

	No option
/MW	Microwave Occupancy Sensor Installed