



# OPTIC SWAP LED AREA LIGHT FIXTURE

## INSTALLATION INSTRUCTIONS

**PLEASE FIND A QUALIFIED ELECTRICIAN FOR INSTALLATION. Please read the instructions before you install and use the area light.**

### APPLICATION

Pole-mount or structure-mount outdoor illumination needs (including parking lots, auto dealerships, pathways, roadways, recreational venues, and other general area lighting requirements)

### SAFETY AND ELECTRICAL PARAMETERS

#### Warning

- To reduce the risk of death, personal injury or property damage from fire, electric shock, falling parts, cuts/abrasions, and other hazards, read all warnings and instructions included with and or the fixture box and fixture labels.
- Before installing, servicing, or performing routine maintenance upon this equipment, follow these general precautions.
- Commercial installation, service, and maintenance of luminaires should be performed by a qualified licensed electrician.
- If you are unsure about the installation or maintenance of the luminaires, consult a qualified licensed electrician. **Please abide by all federal, state, and local code requirements and regulations when installing this luminaire.** Wiring must be in accordance with NEC and all applicable local codes.
- Do not make or alter any unnecessary holes in an enclosure of wiring or electrical components during the installation.

#### Warning

- Turn off electrical power at the fuse or circuit breaker box before wiring fixture to the pole/site/building power.
- Turn off the electrical power when you perform any maintenance.
- Verify that supply voltage is correct by comparing it with the luminaire label information. Do not install with supply voltage that exceeds the rated input voltage of the luminaire.
- All wiring connections should be capped with UL approved wire connectors.

#### Caution

- Avoid direct eye exposure to the light source while it is on.
- Account for small parts and destroy/recycle packaging material, as these may be hazardous to children.
- Risk of burn. Disconnect power and allow fixture to cool before handling/servicing.

#### Notice

- All fixture installs must be properly grounded.
- Minimum of 75°C/167°F supply conductors.
- Specifications and dimensions subject to change without notice. Consult Keystone with any questions or concerns.
- Fixture is IP65 Rated. Suitable for WET LOCATIONS.
- Ensure ambient operating temperature is maintained:
  - without sensor: -40°C/-40°F to 50°C/122°F
  - with sensor: -25°C/-13°F to 50°C/122°F

Exceeding these temperature ranges will void warranty and may reduce lifetime or cause performance issues.

- Inspect fixture for any damages before installing. If there is any damage, please do not install and contact Keystone or authorized distributor for resolution.

### COMPONENTS INCLUDED IN KIT

Part	Quantity
LED area light fixture	1
Type 3 lens*	1
Type 5 lens	1

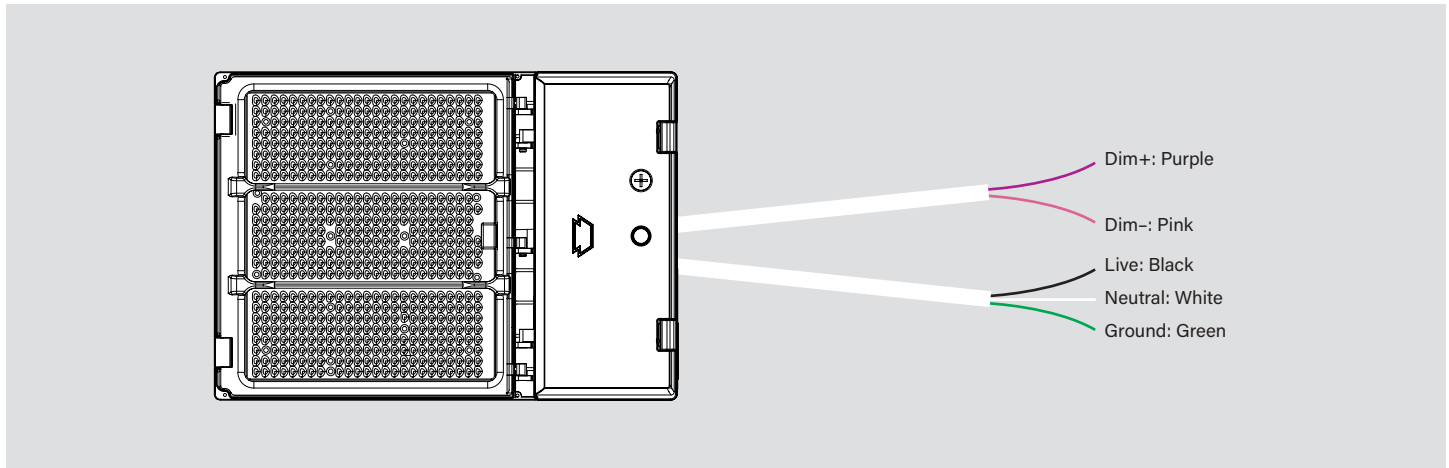
\* Note: Type 3 lens is pre-installed in the fixture.

To install Type 5 lens, please see instructions on following pages.

**Caution:** Before installing, make certain that AC power to the fixture is off.

# GENERAL SETUP INSTRUCTIONS

## WIRING DIAGRAM



*Note: \*In accordance with NEC-20 410.69 2022, all 0-10V negative wires have been updated from gray to pink. Please contact Keystone for details*

- All fixtures come pre-wired with a 3-pin twist lock receptacle with shorting cap, and surge protector. Make input connections as needed and ensure connections are protected from exposure to the elements.
- **THIS KEYSTONE AREA LIGHT REQUIRES 120-277 INPUT VOLTAGE**
- Ensure that input voltage on site matches the fixture you intend to install.

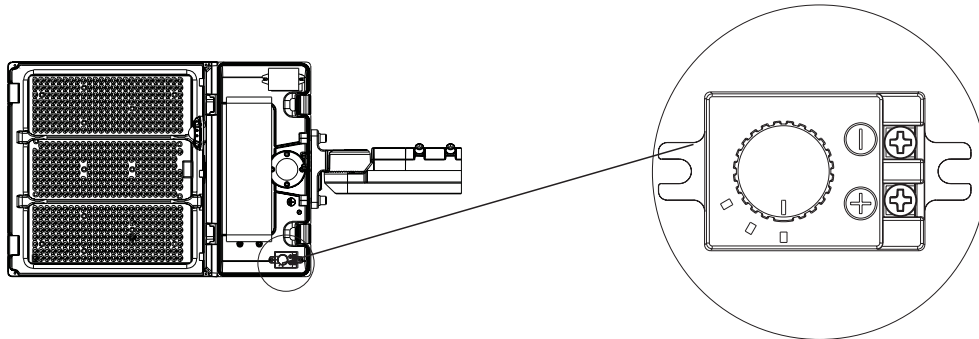
## POWER AND COLOR SELECT INSTRUCTIONS

**Note:** Power and Color Select technologies are only available on the following items:  
 KT-ALED140PS-M2-OSA-NM-8CSB-VDIM-B; KT-ALED140PS-M2-OSA-NM-8CSB-VDIM-S; KT-ALED290PS-L2-OSA-NM-8CSB-VDIM-B; KT-ALED290PS-L2-OSA-NM-8CSB-VDIM-S

### Power Select Instructions

**Note:** Please turn off the power before adjusting wattages.

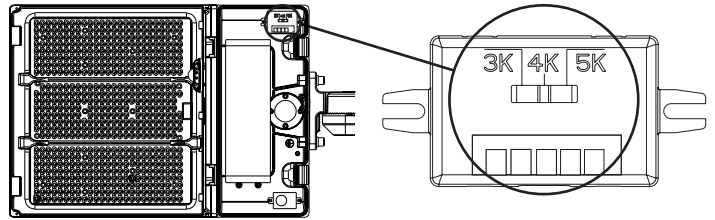
1. Turn off power to the fixture.
2. Open the driver box cover as shown in the figure below.
3. Find the Power Select knob and adjust to desired setting.
4. Close the driver box.



**Color Select Instructions**

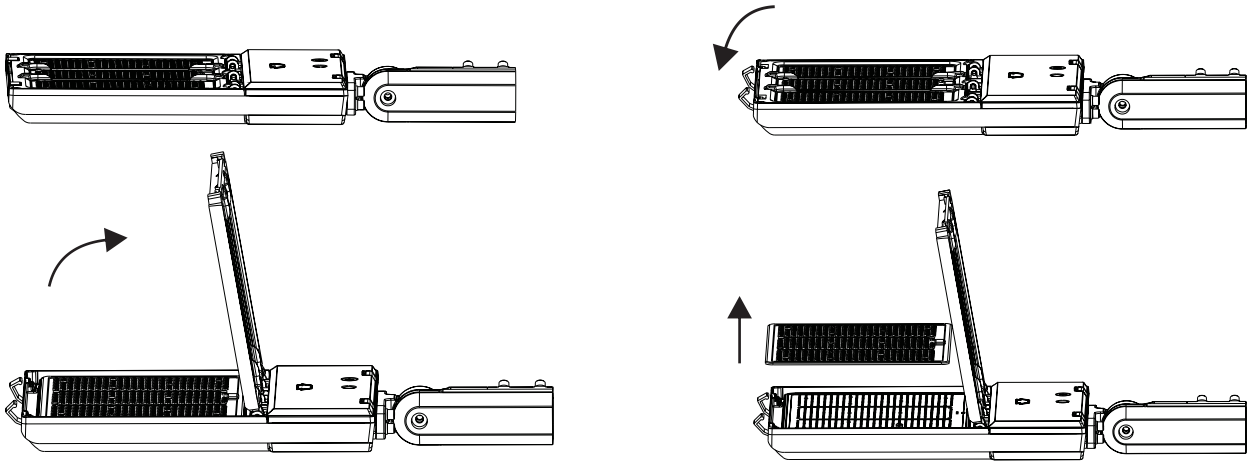
**Note:** Please turn off the power before adjusting color temperature.

1. Turn off power to the fixture.
2. Open the driver box cover as shown in the figure below.
3. Find the Color Select switch and adjust to desired setting.
4. Close the driver box.

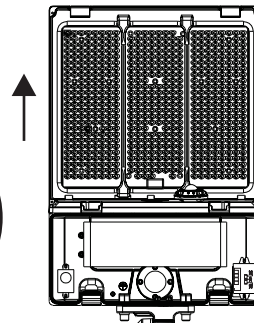
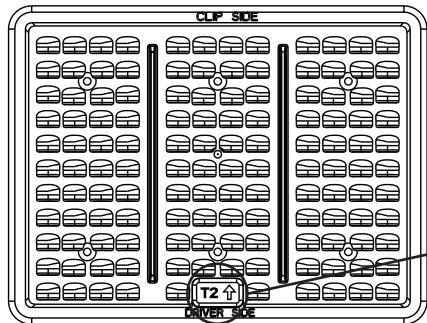
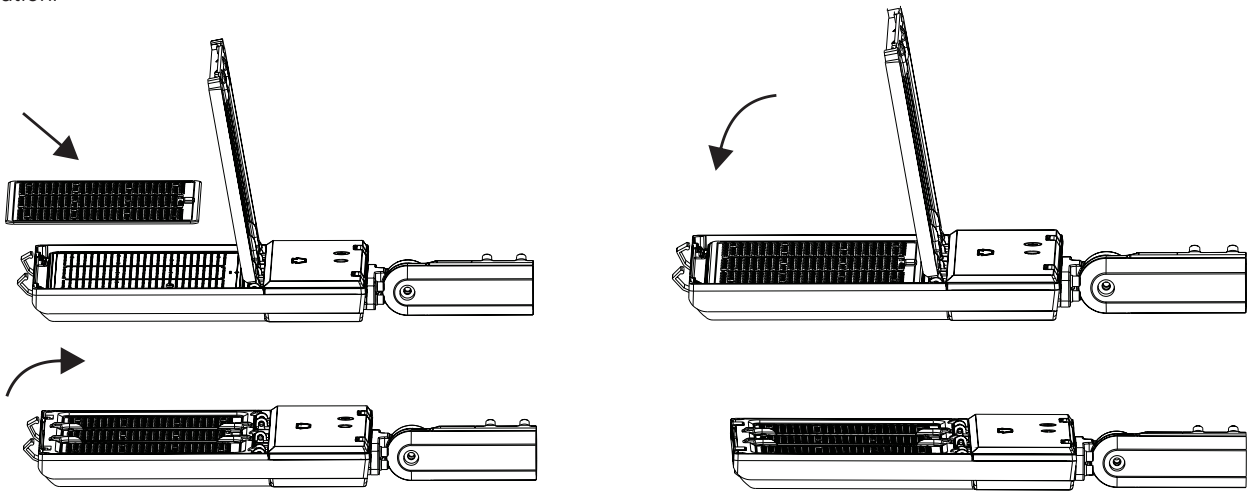


**TOOL-LESS LENS CHANGEABLE**

1. Remove the fixture from the packaging. Open the door frame by unbuckling the latches, and remove the pre-installed lens.



2. Insert the new lens and ensure it is positioned in the proper location. Close the door frame, buckle the latches, and proceed with installation.



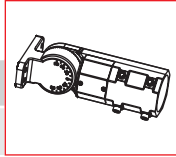
**Note:** When installed in the correct orientation, arrow should point toward the front of the fixture.

**MOUNTING BRACKET OPTIONS (SOLD SEPARATELY)**

**Slipfitter Mount**

Fits 2 3/8" tennon; Bronze

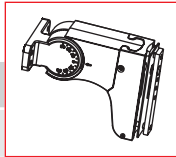
Catalog Number	UPC	Easy Code
KT-ALED-SF-1-KIT	843654131641	JRH-74



**Adjustable Pole Mount**

For round or square pole; Bronze

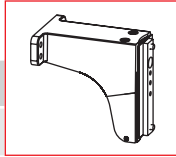
Catalog Number	UPC	Easy Code
KT-ALED-PMA-1-KIT	843654131634	DAQ-87



**Fixed Pole Mount**

For round or square pole; Bronze

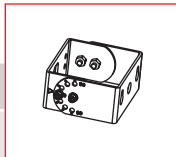
Catalog Number	UPC	Easy Code
KT-ALED-PM-1-KIT	843654131627	QVG-29



**Trunnion Mount**

Bronze

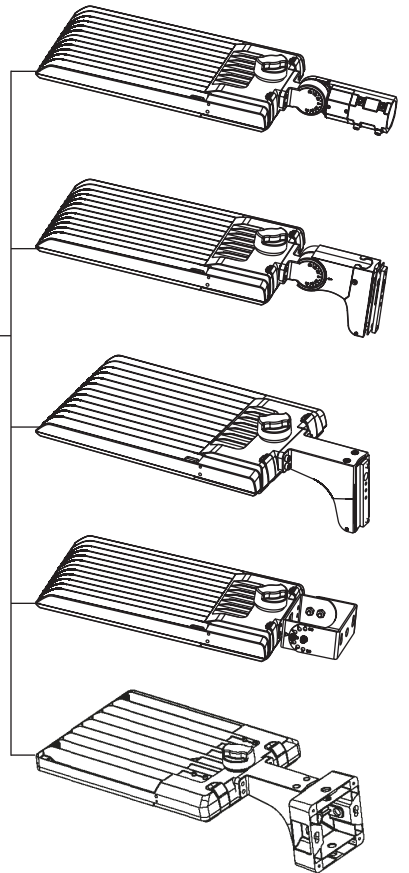
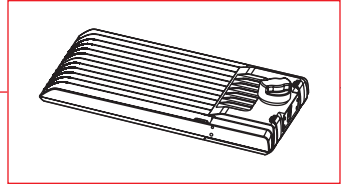
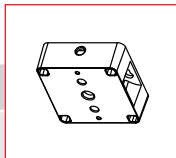
Catalog Number	UPC	Easy Code
KT-ALED-TM-1-KIT	843654131658	GTH-37



**Wall Mount**

Bronze

Catalog Number	UPC	Easy Code
KT-ALED-WM-1-KIT	843654158952	QCV-37



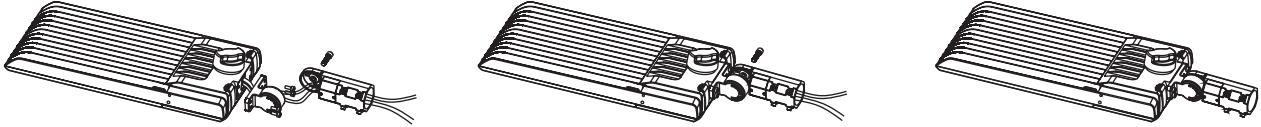
**Note:** Wall mount adaptor must be used with adjustable or fixed pole mounts  
**Note:** For other finishes, contact Keystone

## INSTALLATION INSTRUCTIONS

### SLIP FITTER MOUNT

#### MOUNTING BRACKET INSTALLATION

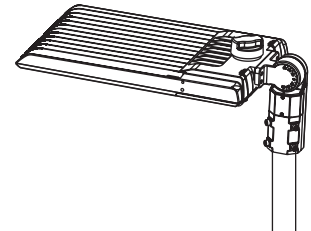
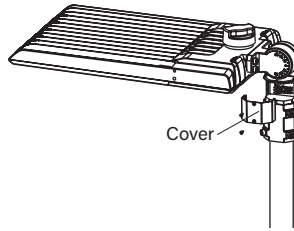
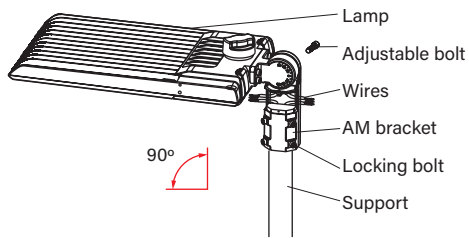
1. Separate the slipfitter assembly into two pieces by removing the M10 × 40mm bolt in the center of the adjustment knuckle.
2. Pass the input wire through the center of the two sections and secure the bracket to the fixture housing with the (4) M8 × 25mm bolts (included).
3. Reassemble the slipfitter assembly pieces together by tightening the M10 × 40mm bolt in the center of the adjustment knuckle. (see illustrations below)



#### FIXTURE INSTALLATION

The slip fitter mounting fits a standard 2-3/8" OD tenon.

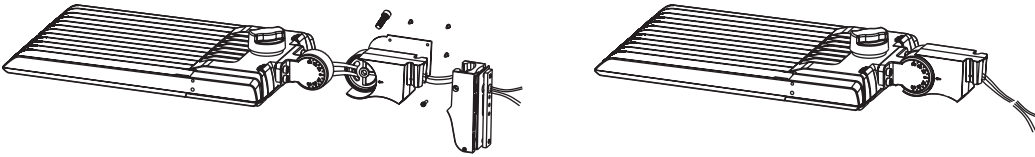
1. Ensure power is off to the fixture.
2. Open the wiring access plate on the side of the slipfitter.
3. Feed supply wires from tenon through the slipfitter.
4. Place the slipfitter over the tenon and secure the fixture with the (4) M8 × 30mm set-screws on the side of the slipfitter. Ensure that all 4 set screws are fully tightened for application security.
5. Complete wiring to input power wires (see **Wiring Diagram**, page 2) and tuck all wiring inside slipfitter housing.
6. Close the wiring access plate on the side of the slipfitter.
7. Adjust the tilt-angle (0°–90°) of the fixture by loosening the M10 × 40mm socket head screw on the rotating adjustment knuckle; 15-degree indicators are on the fixture for reference. Re-tighten socket-head screw when tilt-angle is correct.
8. Reconnect power when ready. (see illustrations below)



(Installation Instructions continued on next page)

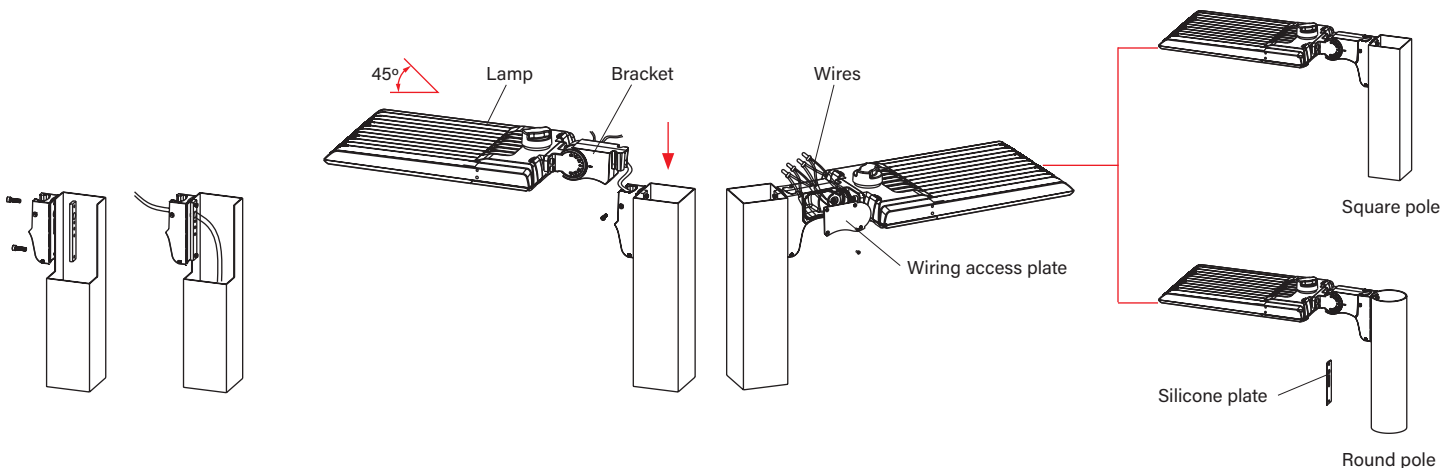
**INSTALLATION INSTRUCTIONS (continued)****ADJUSTABLE POLE MOUNT****MOUNTING BRACKET INSTALLATION**

1. Separate the adjustable pole mount assembly into three pieces by removing the M10 × 35mm bolt in the center of the adjustment knuckle and loosening the two set screws.
2. Pass the input wire through the center of the first two sections and secure the bracket to the fixture housing with the (4) M8 × 25mm bolts (included).
3. Reassemble the first two sections of the adjustable pole mount assembly by tightening the M10 × 35mm bolt in the center of the adjustment knuckle. Leave the third section of the assembly off as that will be installed on the pole separately.  
(see illustrations below)

**FIXTURE INSTALLATION**

Pole mount kits are designed to fit both square and round poles. For round poles, remove the rubber adaptor plate from the mounting assembly.

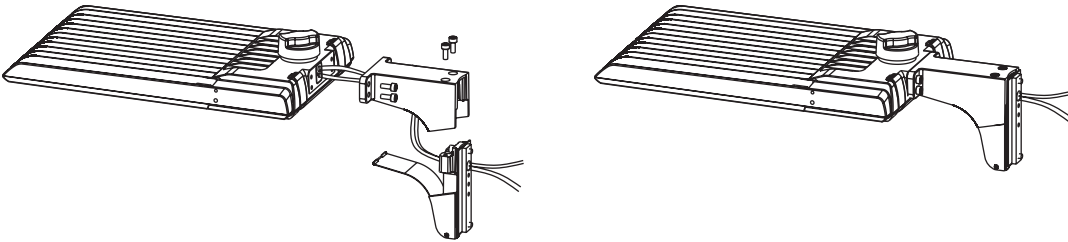
1. Ensure power is off to the fixture.
2. Mount the base of the pole mount kit to the pole with M8 × 50mm bolts (included). The base has hole patterns that are compatible with most existing pole drill holes. If necessary, drill new holes in pole.
3. Feed supply wires from inside the pole through the mounting bracket base.
4. Open the wiring access plate on the pole mount assembly.
5. Install the fixture/pole mount assembly onto the pole mount base from the top down, and feed wiring into the wiring access area accordingly.
6. Complete wiring to input power wires (see **Wiring Diagram**, page 2) and tuck all wiring inside pole mount assembly housing.
7. Close the wiring access plate on the pole mount kit.
8. Adjust the tilt-angle (0°–45°) of the fixture by loosening the M10 × 35mm socket head screw on the rotating adjustment knuckle; 15-degree indicators are on the fixture for reference. Re-tighten socket-head screw when tilt-angle is correct.
9. Reconnect power when ready.  
(see illustrations below)



(Installation Instructions continued on next page)

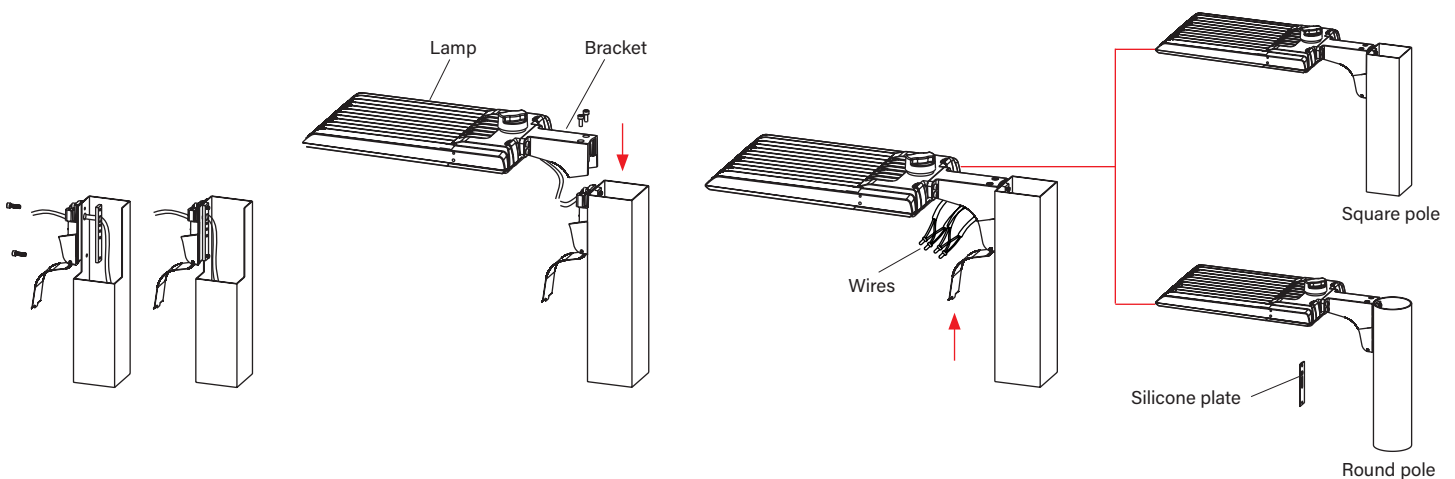
**INSTALLATION INSTRUCTIONS (continued)****FIXED POLE MOUNT****MOUNTING BRACKET INSTALLATION**

1. Separate the pole mount assembly into three pieces by removing the M8 × 25mm bolt in the center of the adjustment knuckle and loosening the two set screws.
2. Pass the input wire through the center of the first two sections and secure the bracket to the fixture housing with the (4) M8 × 25mm bolts (included).
3. Reassemble the first two sections of the pole mount assembly by tightening the M8 × 25mm bolt in the center of the adjustment knuckle. Leave the third section of the assembly off as that will be installed on the pole separately.  
(see illustrations below)

**FIXTURE INSTALLATION**

Pole mount kits are designed to fit both square and round poles. For round poles, remove the rubber adaptor plate from the mounting assembly.

1. Ensure power is off to the fixture.
2. Mount the base of the pole mount kit to the pole with M8 × 25mm bolts (included). The base has hole patterns that are compatible with most existing pole drill holes. If necessary, drill new holes in pole.
3. Feed supply wires from inside the pole through the mounting bracket base.
4. Open the wiring access plate on the pole mount assembly.
5. Install the fixture/pole mount assembly onto the pole mount base from the top down, and feed wiring into the wiring access area accordingly.
6. Complete wiring to input power wires (see **Wiring Diagram**, page 2) and tuck all wiring inside pole mount assembly housing.
7. Close the wiring access plate on the pole mount kit.
8. Reconnect power when ready.  
(see illustrations below)



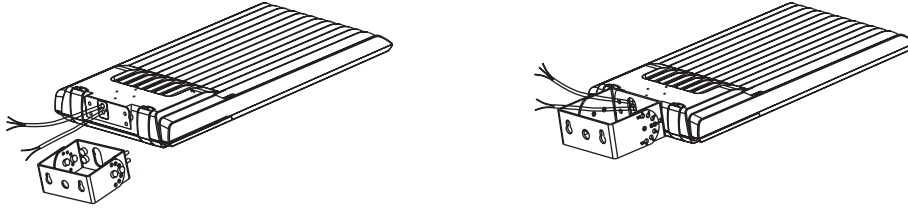
(Installation Instructions continued on next page)

**INSTALLATION INSTRUCTIONS (continued)**

**TRUNNION MOUNT**

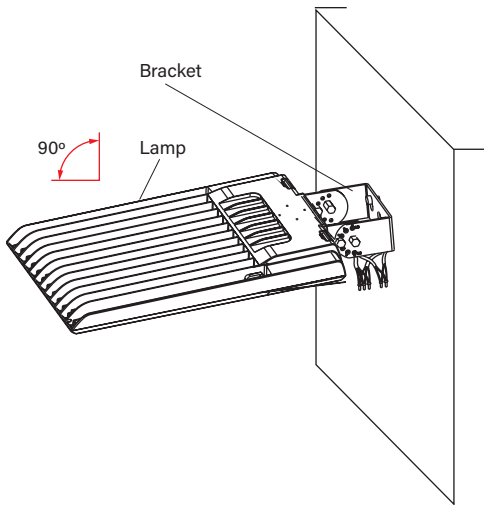
**MOUNTING BRACKET INSTALLATION**

1. Pass the input wire through the center of the trunnion mount and secure the bracket to the fixture housing with the (4) M8 × 20mm bolts (included).  
(see illustrations below)



**FIXTURE INSTALLATION**

1. Ensure power is off to the fixture.
2. Mount the trunnion mount bracket to the fixture with an M8 socket and wrench using supplied hardware.
3. Mount fixture to desired bracketry and / or building fixture using suitable fasteners for the application: bolts, lockwashers, and nuts (not supplied).
4. Fixture includes a 19" long 18AWG power supply cord. If final wiring is to be outdoors, a UL Listed watertight cord connector, suitable for use with wet location flexible cord (not supplied), is required for installation onto a wet-location outdoor junction box. Connector should be sealed with Teflon tape or a silicone sealant at entry to junction box. *Note:* to reduce risk of water entry, install cord connector so that the power cord faces the ground within the junction box.
5. Complete wiring to input power wires (see **Wiring Diagram**, page 2).
6. To adjust tilt-angle (0°–90°) of fixture, loosen hardware on both sides of the trunnion using an M8 socket and wrench. Retighten screws to secure desired position.
7. Reconnect power when ready.  
(see illustration below)

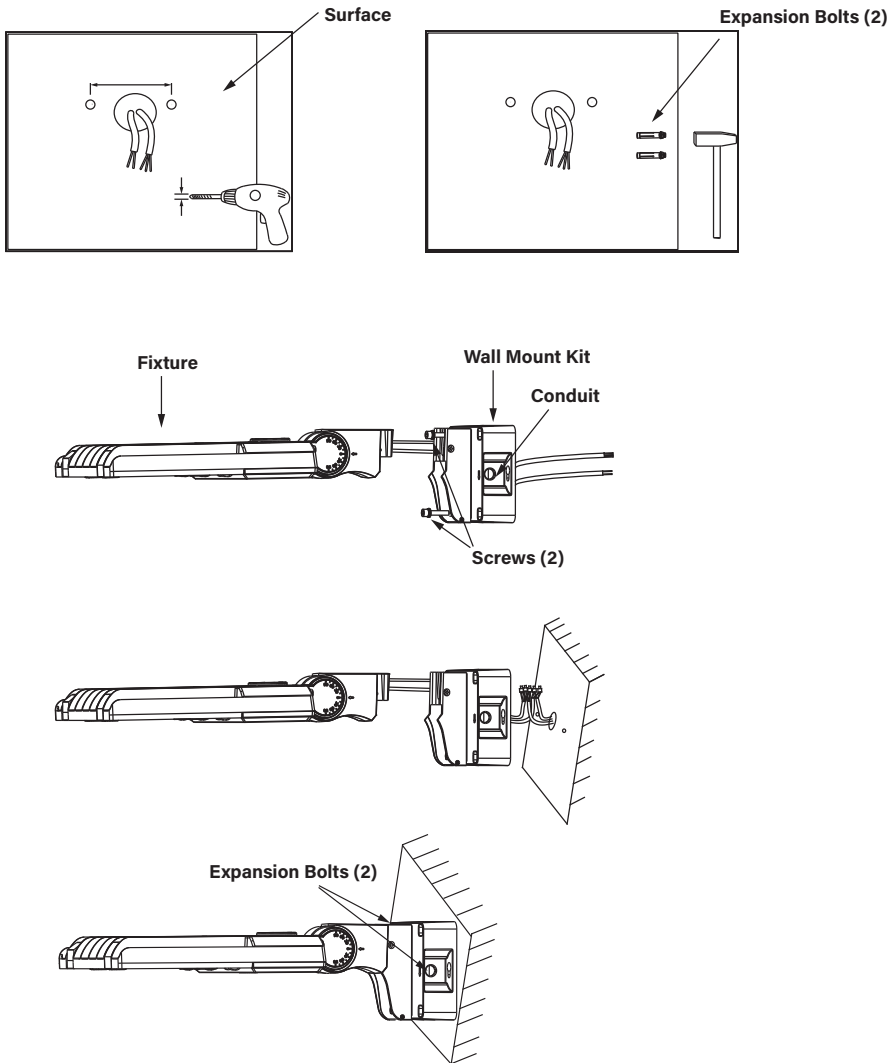


*(Installation Instructions continued on next page)*



**INSTALLATION INSTRUCTIONS (continued)****WALL MOUNT****FIXTURE INSTALLATION**

1. Drill holes into desired surface.
2. Put expansion bolts (provided) into the drilled holes and loosen the nuts.
3. Feed supply wires through opening in the wall.
4. Secure the fixture to the wall mount kit with (2) screws (provided).
  - 4a. KT-ALED-WM-1-KIT-X must be used with either KT-ALED-PM-1-KIT-X or KT-ALED-PMA-1-KIT-X.  
See above Adjustable Pole Mount or Fixed Pole Mount instructions on how to install.
5. Connect the fixture leads to supply wires using UL listed wire connectors and according to local, state, and federal codes. Push all wires into the wall mount kit.
6. Mount the kit, with the fixture attached, on to the expansion bolts and secure with the nuts from Step 2.
7. For conduit entry, remove the conduit cap and feed supply wires through the opening. Follow Steps 5 and 6 to complete installation.



(Installation Instructions continued on next page)

## INSTALLATION INSTRUCTIONS (continued)

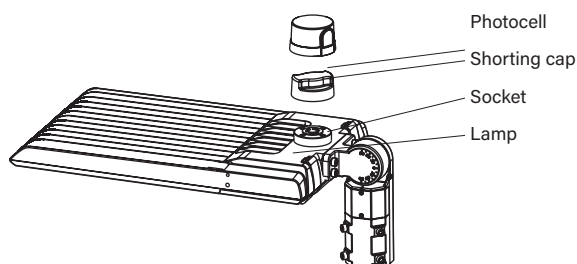
### PHOTOCELL (SOLD SEPARATELY)

These fixtures are compatible with Keystone NEMA/ANSI C136.10-2010 twist lock 3-pin photocells. Corresponding 3-pin receptacle is pre-installed and pre-wired on fixture housing by default. Ensure photocell to be used matches rated input voltage of fixture.

#### Twist Lock 3-Pin Photocell

Catalog Number	Description	UPC	Easy Code
KT-TLP-UV-3PN	120–277V, 1800VA Max; Blue Housing	843654131825	NQT-46

1. Ensure power is off to the fixture.
2. Remove existing twist lock shorting cap from the receptacle.
3. Push the photocell onto the receptacle and twist clockwise to lock it into the receptacle.
4. For optimal performance, install the photocell with sensor detector window facing **North** as indicated on the top of the photocell. Adjust the receptacle positioning if necessary, while being sure to secure fully for proper water-tight install.
5. Reconnect power when ready.  
(see illustration below)



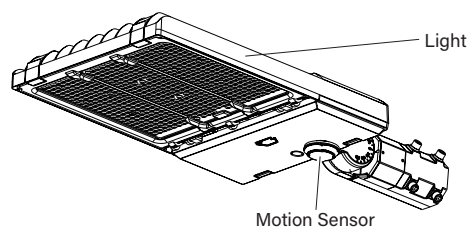
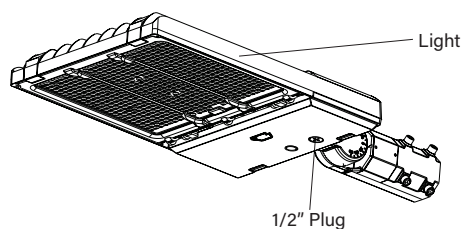
### MOTION SENSOR (SOLD SEPARATELY)

These fixtures are compatible with KTS-MW3-12V-PKO, Keystone screw-in microwave occupancy sensor. See sensor specifications for default settings and options. Mating sensor receptacle is pre-wired inside the fixture by default.

#### Microwave Occupancy Sensor

Catalog Number	Description	UPC	Easy Code
KTS-MW3-12V-PKO	12V Microwave Occupancy Sensor	843654130637	TRM-32

1. Ensure power is off to the fixture.
2. Remove 1/2" knock-out (KO) plug next to the Keystone emblem on the driver access door.
3. Screw in sensor head.
4. Reconnect power when ready.  
(see illustrations below)



5. Program desired settings as needed with KTS-MW3-REMOTECONTROL, Keystone remote control.

### REMOTE CONTROL (SOLD SEPARATELY)

Catalog Number	Description	UPC	Easy Code
KTS-MW3-REMOTECONTROL	Remote Control for KTS-MW3-12V-XX sensors, Sets/adjusts all sensor performance parameters	843654132020	XSR-61

(Installation Instructions continued on next page)

**INSTALLATION INSTRUCTIONS (continued)****BLUETOOTH SENSORS**

(Sold separately)

Catalog Number	Description	UPC	Easy Code
KTSL-FC3-12V-PKO-PIR*	Bluetooth mesh wireless screw-in low voltage controller for SmartLoop system	843654138862	OCW-60
KTSL-FC4-12V-PKO	Bluetooth mesh wireless screwin low voltage fixture controller for SmartLoop system	843654149066	RUN-10

\* When installing on Keystone area lights, use small thin gasket provided with the sensor to ensure proper electrical connection and a water-tight seal. Hand tighten only. (Do NOT use the larger thick gasket. Sensor will not make electrical contact with thick gasket.) PIR sensors may not always perform reliably in typical outdoor environments. Ensure sensors are used and commissioned with this in mind. Consult Keystone for further information on the matter. When using KTSL-FC3-12V-PKO-PIR in applications with photosensor control for dusk-to-dawn, use 3-pin twist-lock photocells (KT-TLP-UV-3P) for optimal functionality.

**DEDICATED**

(Sold separately)

Catalog Number	Description	UPC	Easy Code
KT-ALED70-S2-OSA-NM-840-VDIM	70W LED Series 2 Area Light, 4000K, Optics selectable A (Type III and V), Bronze, Small housing	843654152967	PEM-16
KT-ALED70-S2-OSA-NM-850-VDIM	70W LED Series 2 Area Light, 5000K, Optics selectable A (Type III and V), Bronze, Small housing	843654152974	ANO-96
KT-ALED100-S2-OSA-NM-840-VDIM	100W LED Series 2 Area Light, 4000K, Optics selectable A (Type III and V), Bronze, Small housing	843654152981	WCO-18
KT-ALED100-S2-OSA-NM-850-VDIM	100W LED Series 2 Area Ligh, 5000K, Optics selectable A (Type III and V), Bronze, Small housing	843654152998	TAV-30
KT-ALED140-M2-OSA-NM-840-VDIM	140W LED Series 2 Area Light, 4000K, Optics selectable A (Type III and V), Bronze, Medium housing	843654153001	VUR-27
KT-ALED140-M2-OSA-NM-850-VDIM	140W LED Series 2 Area Light, 5000K, Optics selectable A (Type III and V), Bronze, Medium housing	843654153018	CEM-23
KT-ALED210-L2-OSA-NM-840-VDIM	210W LED Series 2 Area Light, 4000K, Optics selectable A (Type III and V), Bronze, Large housing	843654153025	XPB-40
KT-ALED210-L2-OSA-NM-850-VDIM	210W LED Series 2 Area Light, 5000K, Optics selectable A (Type III and V), Bronze, Large housing	843654153032	NYP-51
KT-ALED290-L2-OSA-NM-840-VDIM	290W LED Series 2 Area Light, 4000K, Optics selectable A (Type III and V), Bronze, Large housing	843654153049	RZT-17
KT-ALED290-L2-OSA-NM-850-VDIM	290W LED Series 2 Area Light, 5000K, Optics selectable A (Type III and V),  Bronze, Large housing	843654153056	RMW-20

**BLACK, SILVER**

(Sold separately)

Catalog Number	Description	UPC	Easy Code
KT-ALED140PS-M2-OSA-NM-8CSB-VDIM-B	140W LED Series 2 Area Light, Power Select, Color Select, Optics selectable A (Type III and V),  Black,  Medium housing	843654157634	FBL-20
KT-ALED140PS-M2-OSA-NM-8CSB-VDIM-S	140W LED Series 2 Area Light, Power Select, Color Select, Optics selectable A (Type III and V), Silver, Medium housing	843654157641	EXX-12
KT-ALED290PS-L2-OSA-NM-8CSB-VDIM-B	290W LED Series 2 Area Light, Power Select, Color Select, Optics selectable A (Type III and V), Black, Large housing	843654157658	PBA-37
KT-ALED290PS-L2-OSA-NM-8CSB-VDIM-S	290W LED Series 2 Area Light, Power Select, Color Select, Optics selectable A (Type III and V), Silver, Large housing	843654157665	FOM-05

**SAVE THESE INSTRUCTIONS**