

## KTSL-FC4-12V-PKO

### BLUETOOTH WIRELESS SMART PORT LUMINAIRE CONTROLLER

#### DESCRIPTION

Bluetooth mesh wireless screw-in low voltage fixture controller for SmartLoop system; 12V; 0-10V dimming

#### APPLICATION

Ideal for warehouses, gymnasiums, corridors, and parking garages. Installs directly into Smart Port Gen 2 compatible Keystone products.



#### PRODUCT FEATURES

- For use with Smart Port Gen 2 compatible Keystone products
- Commissioned via SmartLoop mobile app for iPhone and Android
- Controlled via SmartLoop mobile app, keypad, and sensors
- Utilizes Bluetooth mesh technology for reliable and secure wireless communication
- Power outage recovery defaults to automatic on state
- Indicator LED communicates device status

#### ELECTRICAL SPECIFICATIONS

Input Voltage	10-15VDC
Power Consumption	<0.5W
RF Transmit Power	8dBm
Max 0-10V Sinking Current	10mA
Wireless Frequency	2.4GHz
Wireless Range (Open Air)	100ft
Wireless Protocol	Bluetooth 4.2

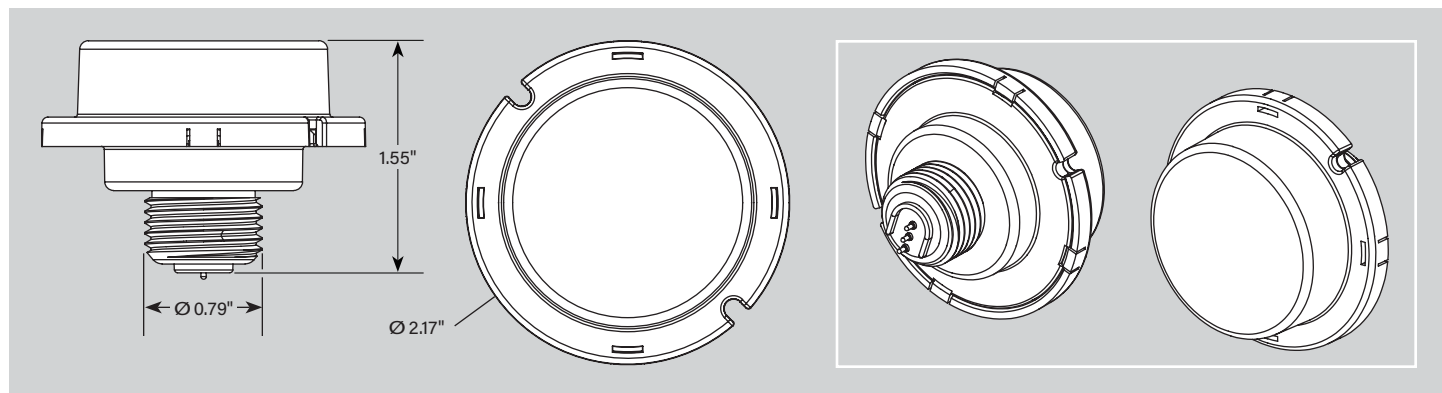
#### ENVIRONMENTAL SPECIFICATIONS

Operating Temperature	-25°C/-13°F to 60°C/140°F
Storage Temperature	-40°C/-40°F to 80°C/176°F
Humidity	10-85%
Lifetime Rating	>100,000 hrs
Moisture and Dust Rating	IP65

#### SAFETY AND EMC COMPLIANCE

UL/cUL	UL8750
FCC	Part 15.247

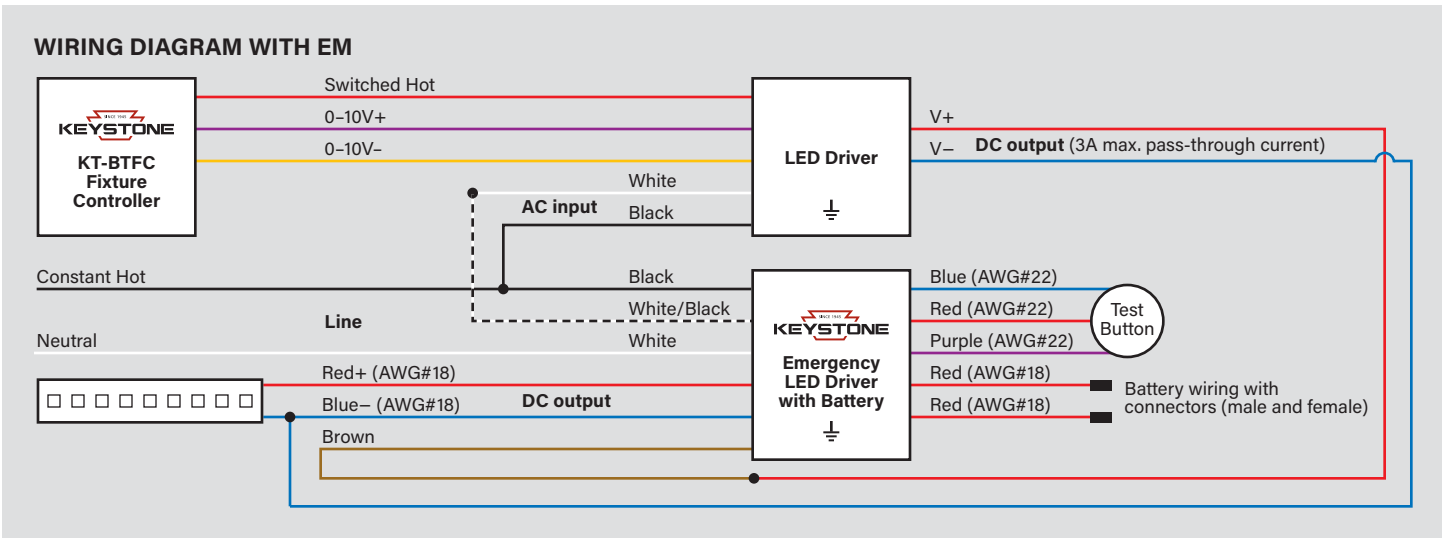
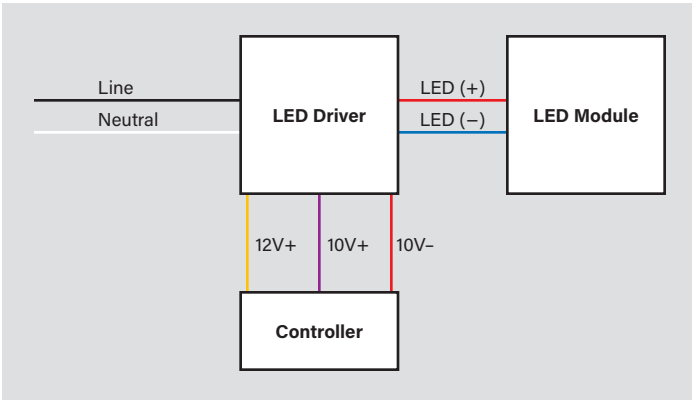
#### PHYSICAL SPECIFICATIONS



# KTSL-FC4-12V-PKO

## BLUETOOTH WIRELESS SMART PORT LUMINAIRE CONTROLLER

**WIRING DIAGRAMS**





# SMART PORT LED

## KTSL-FC4-12V-PKO BLUETOOTH WIRELESS SMART PORT LUMINAIRE CONTROLLER

### FACTORY RESET

Decommissioning can be done by deleting a controller from the region, a power reset sequence, or by using the reset button for certain models.

#### IN THE APP

The phone/tablet must be connected to the device through the mesh network in order for the controller to be factory reset. Otherwise, the light will simply be removed from the region in the app, and the controller will need to be factory reset using one of the other methods below.

1. Go to the **Lights** page.
2. Press *Select* and *check* ✓ the desired lights to decommission.
3. Press *Delete* and *Confirm*.

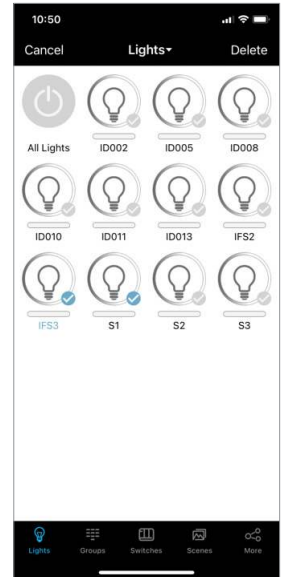
#### POWER CYCLE RESET SEQUENCE

If a controller is assigned to another region, it will not appear when searching for new fixtures. Perform the below power cycle sequence to factory reset the controller.

1. Power *On* for 1 second, then *Off* for 10 seconds.
2. Power *On* for 1 second, then *Off* for 10 seconds.
3. Power *On* for 1 second, then *Off* for 10 seconds.
4. Power *On* for 10 seconds, then *Off* for 10 seconds.
5. Power *On* for 10 seconds, then *Off* for 10 seconds.
6. Turn the light back *On*. The device should now be decommissioned and ready to add to a region.

#### RESET BUTTON

While installed in a powered lamp, *Press and Hold* reset button for 3 seconds to initiate a factory reset.



### ORDERING INFORMATION

ORDER CODE	PACK QTY.	UPC	EASY CODE
KTSL-FC4-12V-PKO	20	843654149066	RUN-10

### CATALOG NUMBER BREAKDOWN

# KTSL-FC4-12V-PKO

1

2

3

4

5

6

**1** Keystone Technologies SmartLoop

**2** Fixture Controller

**3** Design Style 4

**4** Low Voltage

**5** Pin Connection

**6** Knock Out