

KT-CWLED44PS-4-8CSA-VDIM CURVED WRAP FIXTURE

INSTALLATION INSTRUCTIONS

PLEASE FIND A QUALIFIED ELECTRICIAN FOR INSTALLATION. Please read the instructions before installation and use.

WARNING

- To reduce the risk of death, personal injury or property damage from fire, electric shock, falling parts, cuts/abrasions, and other hazards read all warnings and instructions included with and on the fixture box and all fixture labels.
- Before installing, servicing, or performing routine maintenance upon this equipment, follow these general precautions.
- Commercial installation, service and maintenance of luminaires should be performed by a qualified licensed electrician.
- For the installation: If you are unsure about the installation or maintenance of the luminaires, consult a qualified licensed electrician and check your local electrical code.
- To prevent wiring damage or abrasion, do not expose wiring to edges of sheet metal or other sharp objects.
- Do not make or alter any open holes in an enclosure of wiring or electrical components during kit installation.

WARNING

- Turn off electrical power at fuse or circuit breaker box before wiring fixture to the power supply.
- Turn off the power when you perform any maintenance.
- Verify that supply voltage is correct by comparing it with the luminance label information.
- All wiring connections should be capped with UL approved wire connectors.

CAUTION

- Avoid direct eye exposure to the light source while it is on.
- Account for small parts and destroy packing material, as these may be hazardous to children.
- Risk of burn. Disconnect power and allow fixture to cool before changing bulb or handing fixture.

NOTICE: Green ground screw provided in proper location. Do not relocate.

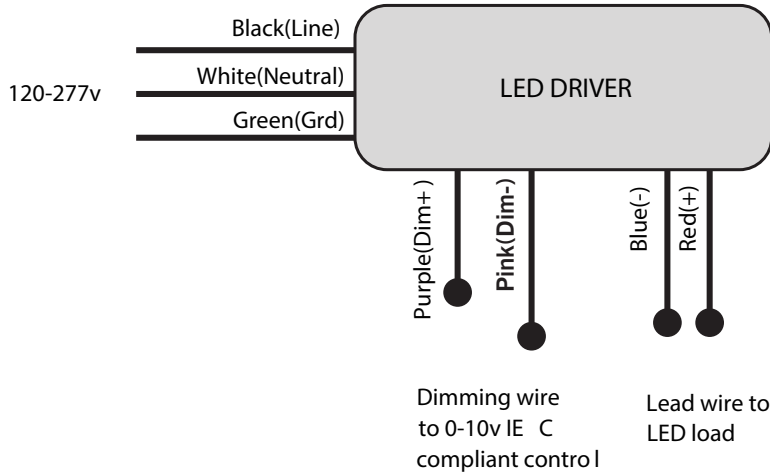
NOTICE: Minimum 90° supply conductors.

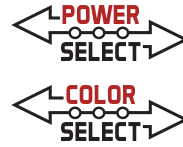
NOTICE: Specifications and dimensions subject to change without notice.

NOTICE: Suitable for Dry or Damp location.

GENERAL SETUP INSTRUCTION

WIRING DIAGRAM





XFIT

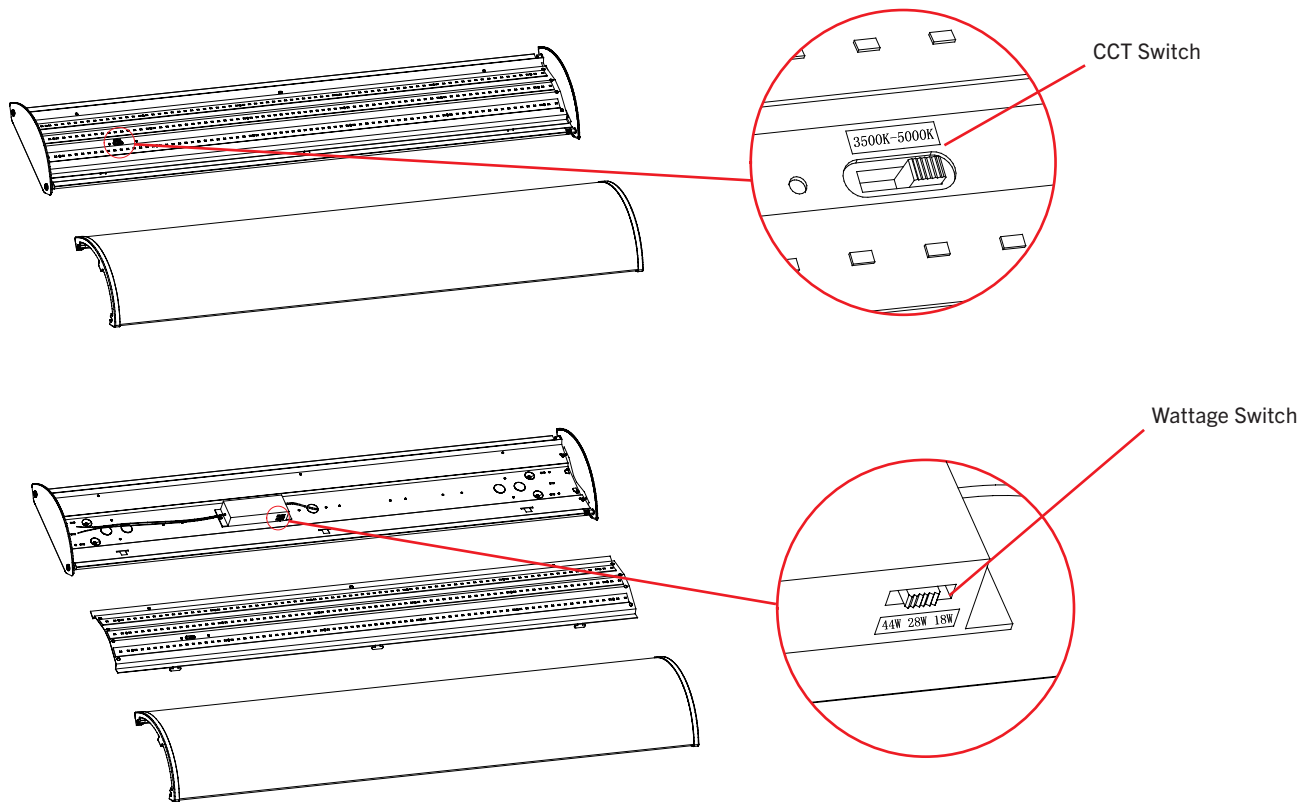
KT-CWLED44PS-4-8CSA-VDIM CURVED WRAP FIXTURE

GENERAL SETUP INSTRUCTIONS (continued)

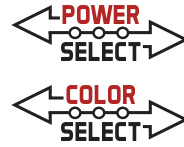
POWER SELECT (WATTAGE) AND COLOR SELECT (CCT) ADJUSTMENT

This fixture is equipped with field-adjustable Power Select and Color Select technology.

1. Ensure power is off to the fixture.
2. Adjust dip switches to desired settings.



(Installation Instructions continued on next page)



XFIT

KT-CWLED44PS-4-8CSA-VDIM CURVED WRAP FIXTURE

GENERAL SETUP INSTRUCTIONS (continued)

CHAIN SUSPENDED MOUNTING

1. Remove product from packaging.
2. Remove the lens and LED module plate.
3. Mount V-hooks to the luminaire (see Fig. 1)
4. Mount plastic trims to the lens (see Fig. 2)

Figure 1:

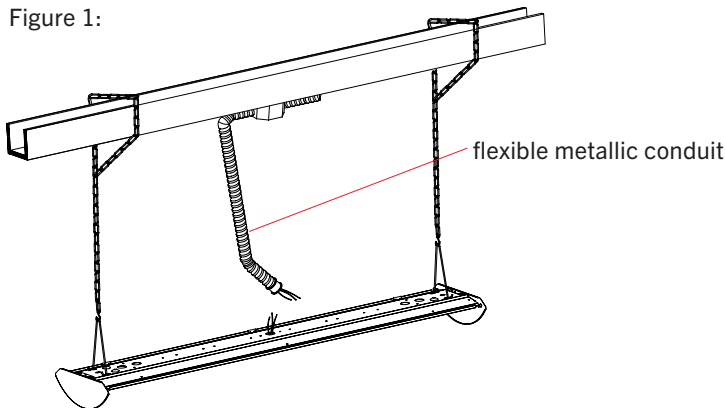
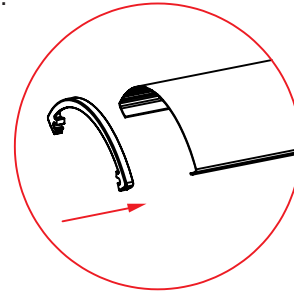


Figure 2:



5. Install the lens by hanging from end plate pins of the luminaire and rotate into position. Flex the lens to engage end plate pins on opposite side of the luminaire (see Fig. 3,4).
4. Connect the wires to the AC power grounding leads. Make sure that wires are enclosed in properly rated conduit to comply with local and national electrical codes.

Figure 3:

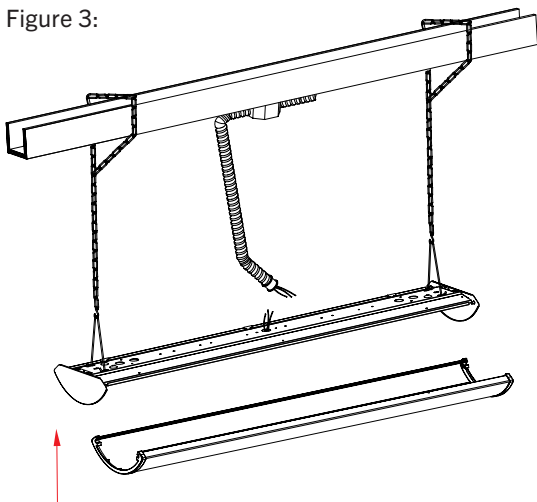
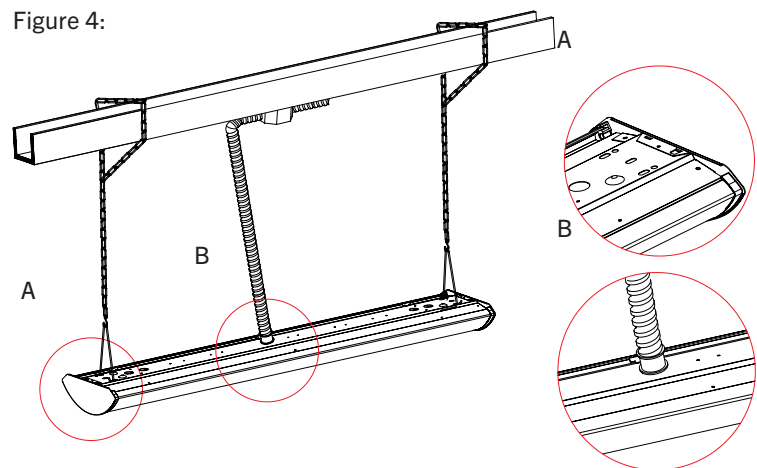
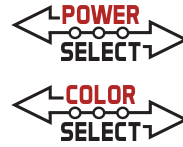


Figure 4:



(Installation Instructions continued on next page)



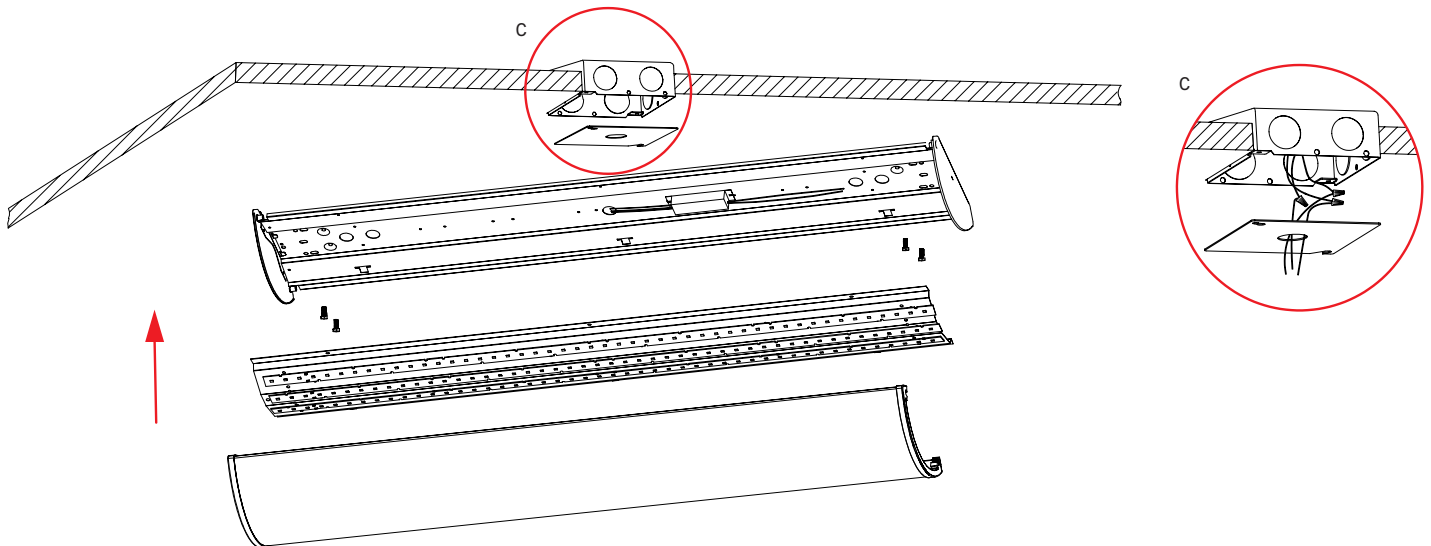
XFIT

KT-CWLED44PS-4-8CSA-VDIM CURVED WRAP FIXTURE

GENERAL SETUP INSTRUCTIONS (continued)

SURFACE MOUNTING

1. Remove product from packaging.
2. Remove the lens and LED module plate.
3. For mounting, using the provided mounting holes on each end of the fixture housing, mount per required application using appropriate hardware (not included).
4. Make electrical connections according to code.
5. Install LED module plate and lens.



SAVE THESE INSTRUCTIONS