



# KT-EX-ELNY2-WH3RL-SD

## EXIT SIGN

### DESCRIPTION

LED Exit Sign | Single or Double Facing | NYC Compliant |  
 White Finish | Red Lettering | Surface Mount |  
 Battery Backup | Built-in Test Switch | 120/277V Input

### APPLICATION

UL 924 Compliant Exit Sign with Built-in Red Lettering,  
 New York City Code Compliant. Provides 90 Minutes of  
 Emergency Power.



### PRODUCT FEATURES

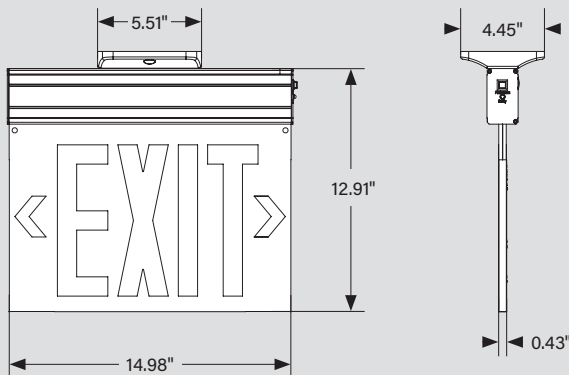
- Red LED Color
- Includes Single or Double Facing Configurations
- Surface Mount - Back, Side, or Top
- Integrated Backup Battery - NiCad 600mAh
- 90 Minutes of Emergency Power
- Integrated Test Switch & Charge Indicator
- New York City Code Compliant Design
- Aluminum Housing
- Ambient Operating Temperature: 0°C/32°F to 40°C/104°F
- UL Certified for Damp Locations
- Universal J-Box Mounting Pattern
- Acrylic Exit Panel with Mirrored Backing

### PERFORMANCE SPECIFICATIONS

Catalog Number	Input Voltage	Input Power	Letter Color	Housing Color	Mounting	Battery Type	Battery Capacity	Recharge Time	Remote Capable
KT-EX-ELNY2-WH3RL-SD	120/277V	3.2W	Red	White	Surface: Top, Side and Back Mount	Nickel-Cadmium	600mAh	24 Hours	No

\* See Ordering Information and Catalog Number Breakdown for more details.

### PHYSICAL SPECIFICATIONS



### Weight

Fixture Weight	Carton Weight
4.9 lbs	23.4 lbs

# KT-EX-ELNY2-WH3RL-SD

## EXIT SIGN

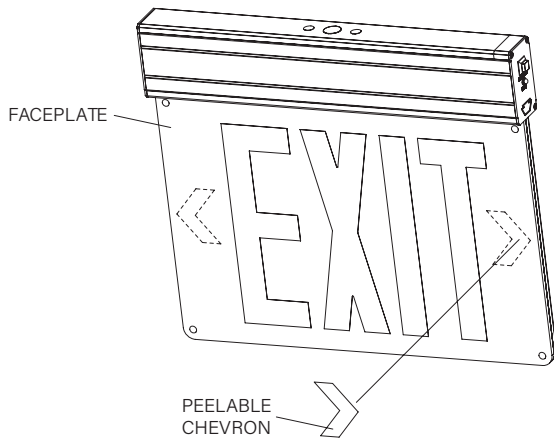
### FIELD-ADJUSTABLE FEATURES: CHEVRONS, FACINGS & MOUNTING ORIENTATION

This fixture is equipped with field-adjustable removable chevrons, single (front only) or double (front and back) faceplates, and three mounting options (top, side, or back).

*Note: Ensure power is off to the fixture and rechargeable battery is disconnected before making any adjustments.*

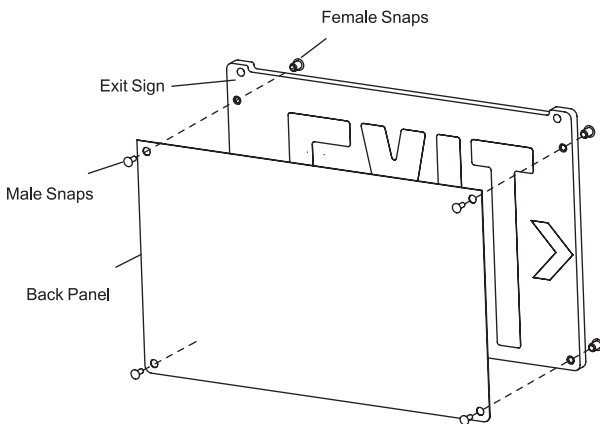
#### Use of Chevrons

Remove peelable chevron(s) on faceplate, as needed.



#### Single or Double-Sided Facing

This fixture ships with a back panel to allow for either single- or double-sided Exit Sign. If single-sided is desired, back panel will be attached to exit panel. For double-sided use, the back panel will not be utilized.



# KT-EX-ELNY2-WH3RL-SD

## EXIT SIGN

### MOUNTING OPTIONS

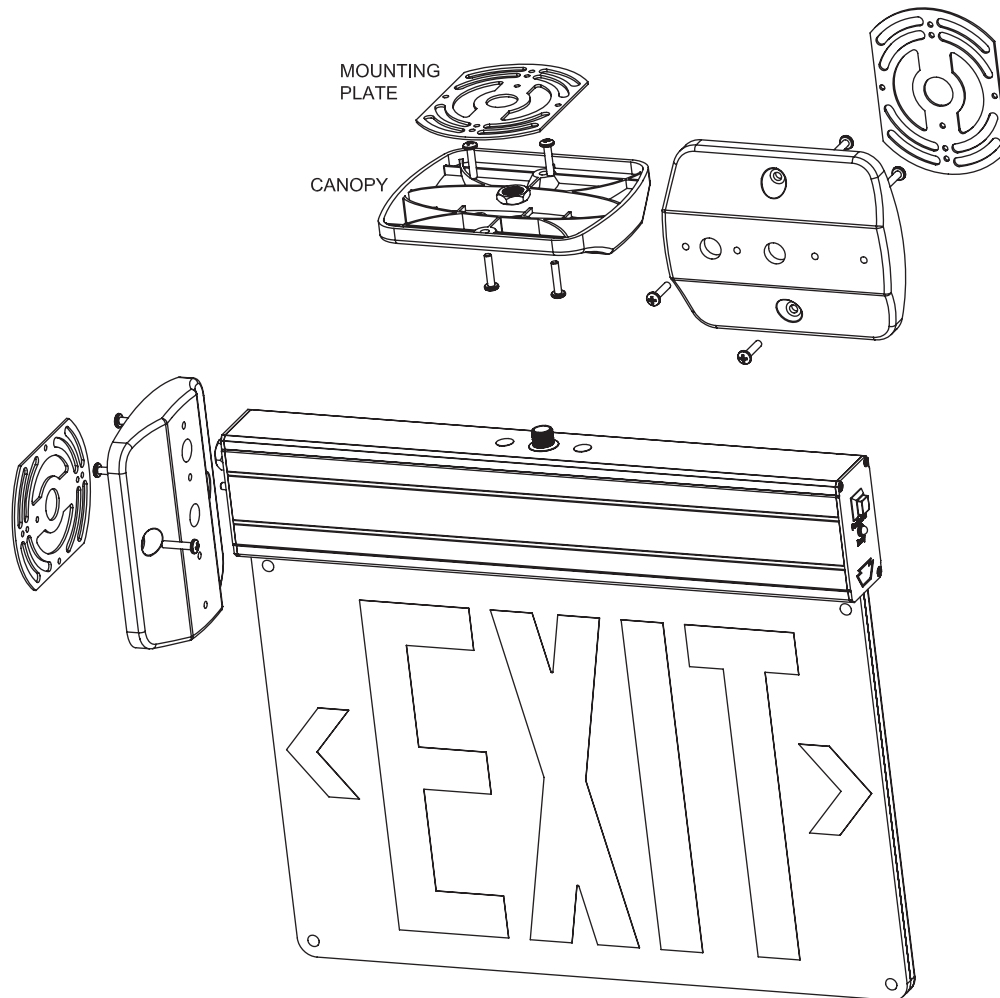
#### BACK MOUNT



#### TOP MOUNT



#### SIDE MOUNT



# KT-EX-ELNY2-WH3RL-SD

## EXIT SIGN

**ACCESSORIES**

**MOUNTS/BRACKETS**

Field-Installable (purchased separately)

Catalog number	Description	UPC	Easy Code
KT-EX-5CC-2-F-KIT	Canopy Cover Feed Kit for Exit Signs   J-Box Mount   5" Round   White   Includes 6in & 18in Rigid 3/8 IPS Stems, 24in total (1) 5" Canopy Cover & Additional Hardware	843654177090	FFO-55
KT-5CC-2-18-3/8IPS	18in Rigid 3/8 IPS Stem (5/8in OD) 1/4 IPS x 1/4 IPS Internal Thread Both Ends   White	843654177106	MLV-42



**ORDERING INFORMATION**

Catalog Number	Finish	UPC	Easy Code
KT-EX-ELNY2-WH3RL-SD	White	843654165103	BJF-07

**CATALOG NUMBER BREAKDOWN**

# KT-EX-ELNY2-WH3RL-SD

1 2 3 4 5 6 7 8 9

**1 Keystone Technologies**

**2 Exit Sign**

**3 Edge Lit - New York City Compliant**

**4 Form Factor 2**

**5 Housing Color**

**6 Facings**

**7 Lettering Color**

**8 Mounting**

**9 Input Voltage**

**5 Housing Color**

WH

White

**6 Facings**

3

Single and Double

**7 Lettering Color**

RL

Red Lettering

**8 Mounting**

S

Surface Mount

**9 Input Voltage**

D

120/277V