

# KT-RDLEDXXPS-XB-9CSF-VDIM

## LED RECESSED DOWNLIGHT

### INSTALLATION INSTRUCTIONS

PLEASE FIND A QUALIFIED ELECTRICIAN FOR INSTALLATION. Please read the instructions before installation and use.

#### WARNING

- Before installing, servicing, or performing routine maintenance upon this equipment, follow these general precautions.
- Risk of fire or electric shock. LED retrofit kit installation requires knowledge of luminaire electrical systems. If not qualified, do not attempt installation; contact a qualified electrician.
- Risk of fire or electric shock. Install this kit only in luminaires that have the construction features and dimensions shown in the photographs and/or drawings and where the input rating of the retrofit kit does not exceed the input rating of the luminaire.
- To reduce the risk of death, personal injury or property damage from fire, electric shock, failing parts, cuts/abrasions, and other hazards, read all warnings and instructions with and on the fixture box and all fixture labels.
- Installers should not disconnect existing wires from lampholder terminals to make new connections at lampholder terminals. Instead, installers should cut existing lampholder leads away from the lampholder and make new electrical connections to lampholder lead wires by employing applicable connectors.
- This retrofit kit is accepted as a component of a luminaire where the suitability of the combination shall be determined by authorities having jurisdiction.
- To prevent wiring damage or abrasion, do not expose wiring to edges of sheet metal or other sharp objects.
- Do not make or alter any open holes in an enclosure of wiring or electrical components during kit installation.

#### WARNING

- Turn off electrical power at fuse or circuit breaker box before wiring fixture to the power supply.
- Turn off the power when you perform any maintenance.
- Verify that supply voltage is correct by comparing it with the luminaire label information.
- This device is not intended for use with emergency exits.

#### CAUTION

- Avoid direct eye exposure to the light source while it is on.
- Account for small parts and destroy packing material, as these may be hazardous to children.
- Risk of burn. Disconnect power and allow fixture to cool before changing bulb or handling fixture.

#### NOTES

- Specifications and dimensions subject to change without notice.
- Suitable for wet locations.

#### NOTE

This equipment has been tested and found to comply with the limits for a Class A digital device, pursuant to Part 15 of the FCC Rules. These limits are designed to provide reasonable protection against harmful interference in a commercial installation. This equipment generates, uses and can radiate radio interference energy and, if not installed and used in accordance with the instructions, may cause harmful interference to radio communications. However, there is no guarantee that interference will not occur in a particular installation. If this equipment does cause harmful interference to radio or television reception, which can be determined by turning the equipment off and on, the user is encouraged to try to correct the interference by one or more of the following measures:

- Reorient or relocate the receiving antenna.
- Increase the separation between the equipment and receiver.
- Connect the equipment into an outlet on a circuit different from that to which the receiver is connected.
- Consult the dealer or an experienced radio/TV technician for help.

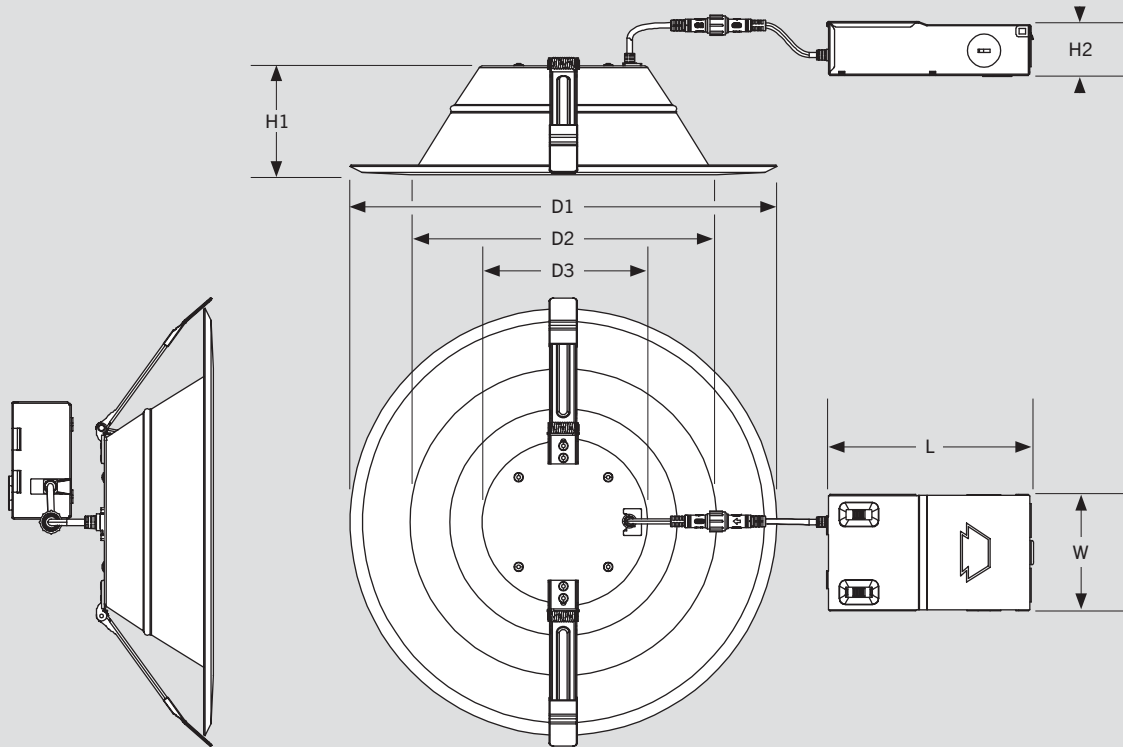
**Caution:** Before installing, make certain that AC power to the fixture is off.

#### COMPONENTS INCLUDED IN KIT

| Part                           | Quantity |
|--------------------------------|----------|
| LED Recessed Downlight Fixture | 1        |
| Driver/Junction Box            | 1        |
| Installation Hole Template     | 1        |



**DIMENSIONS**

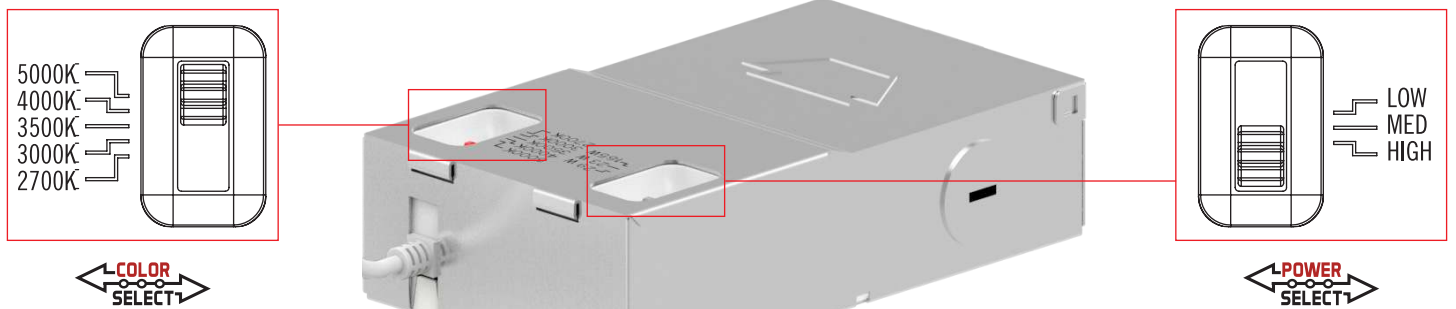


| Catalog Number             | Size | H1 (Height 1) | D1 (Diameter 1) | D2 (Diameter 2) | D3 (Diameter 3) | H2 (Height 2) | L (Length) | W (Width) | Cut-Out (Min to Max) |
|----------------------------|------|---------------|-----------------|-----------------|-----------------|---------------|------------|-----------|----------------------|
| KT-RDLED16PS-4B-9CSF-VDIM  | 4"   | 2.36"         | 5.51"           | 4.07"           | 3.46"           | 1.44"         | 5.39"      | 3.07"     | Ø4.13" to Ø4.41"     |
| KT-RDLED18PS-6B-9CSF-VDIM  | 6"   | 2.69"         | 7.36"           | 6.00"           | 4.24"           | 1.44"         | 5.39"      | 3.07"     | Ø5.71" to Ø6.18"     |
| KT-RDLED29PS-8B-9CSF-VDIM  | 8"   | 3.06"         | 9.45"           | 8.00"           | 5.23"           | 1.44"         | 5.39"      | 3.07"     | Ø7.28" to Ø8.27"     |
| KT-RDLED38PS-10B-9CSF-VDIM | 10"  | 3.08"         | 11.26"          | 9.00"           | 5.84"           | 1.44"         | 5.39"      | 3.07"     | Ø8.19" to Ø9.45"     |

**POWER SELECT (WATTAGE) AND COLOR SELECT (CCT) ADJUSTMENT**

This fixture is equipped with field-adjustable Keystone Power Select and Color Select technology.

1. Ensure power is off to the fixture.
2. Adjust dip switches to desired settings.



**COLOR SELECT ADJUSTMENT SWITCH**

Set dip switch to adjust CCT between five available CCTs. Fixture comes preset at highest CCT.

**POWER SELECT ADJUSTMENT SWITCH**

Set dip switch to adjust wattage between three available wattages. Fixture comes preset at highest wattage.

**KT-RDLED16PS-4B-9CSF-VDIM**

| Wattage          | CCT   |
|------------------|-------|
| 16W<br>11W<br>7W | 2700K |
|                  | 3000K |
|                  | 3500K |
|                  | 4000K |
|                  | 5000K |

**KT-RDLED18PS-6B-9CSF-VDIM**

| Wattage            | CCT   |
|--------------------|-------|
| 18.5W<br>13W<br>9W | 2700K |
|                    | 3000K |
|                    | 3500K |
|                    | 4000K |
|                    | 5000K |

**KT-RDLED29PS-8B-9CSF-VDIM**

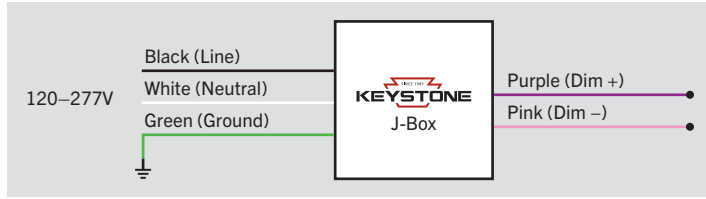
| Wattage             | CCT   |
|---------------------|-------|
| 29W<br>23W<br>16.5W | 2700K |
|                     | 3000K |
|                     | 3500K |
|                     | 4000K |
|                     | 5000K |

**KT-RDLED38PS-10B-9CSF-VDIM**

| Wattage               | CCT   |
|-----------------------|-------|
| 37.5W<br>29.5W<br>21W | 2700K |
|                       | 3000K |
|                       | 3500K |
|                       | 4000K |
|                       | 5000K |

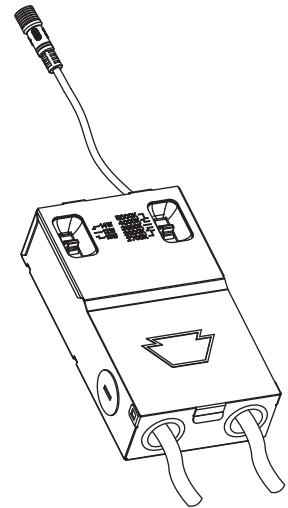
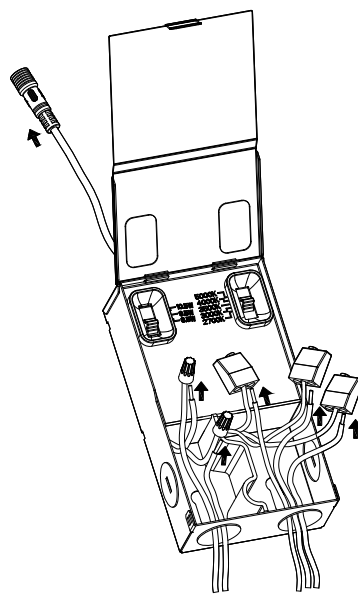
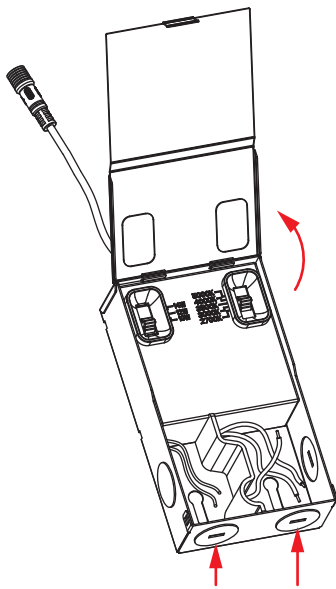
**INSTALLATION INSTRUCTIONS**

**WIRING DIAGRAM**

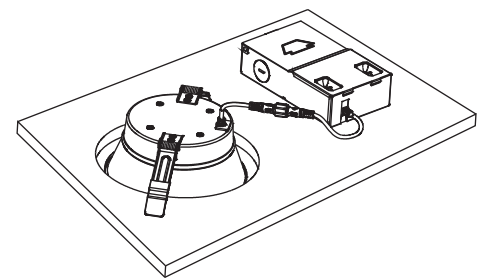
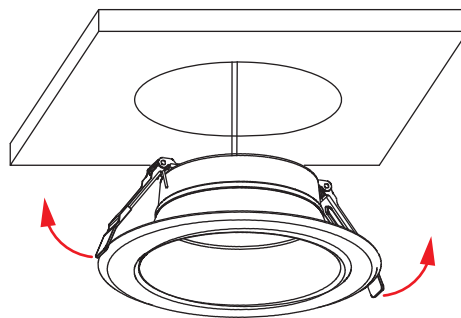
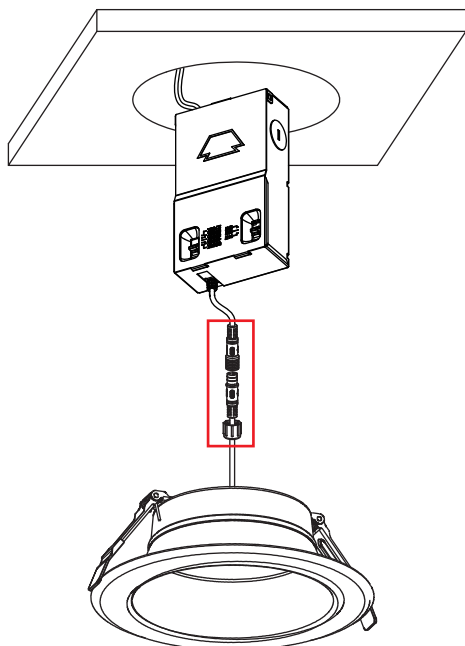


**RETROFIT INSTALLATION**

- 1. Shut off power at the source of the fixture housing into which you are installing fixture.**  
Remove existing trim, CFL or incandescent bulb.  
*Note:* Follow all federal and local regulations when disposing of lamps and removed components.
2. Measure ceiling opening to ensure that the edge of the luminaire will cover the entire opening and still sit firmly in the ceiling (see *Dimensions* on page 2).
3. Select desired Wattage and CCT using adjustment switches on fixture (see *Power Select (Wattage) and Color Select (CCT) Adjustment* on page 2).
4. Open the driver box and remove the knockout(s) (KO).
5. Insert the electrical supply cable through the KO; use appropriate bushing to prevent wire abrasion. Wire driver box (see *Wiring Diagram* above and illustration below).\*
6. Place all wiring and connections back into the box and close the cover.



7. Insert driver box into ceiling in accordance with local/national codes and connect the male and female connectors. Screw threaded nut over connectors to secure.
8. Lifting both retention tabs upward, push the fixture into the hole until trim sits flush with ceiling.
9. Restore power when ready.



\* Keystone offers an optional cable accessory to assist with wiring to existing fixture J-box. See KT-MC-NP-1-18/3, *Optional Accessories (sold separately)* on page 8.

*Installation Instructions continued on next page*

**INSTALLATION INSTRUCTIONS** *(continued)*

**NEW-CONSTRUCTION INSTALLATION**

**1. Shut off power at the source of the fixture housing into which you are installing fixture.**

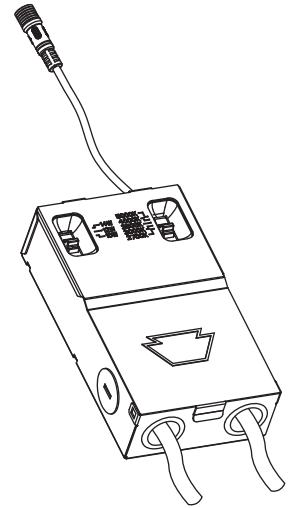
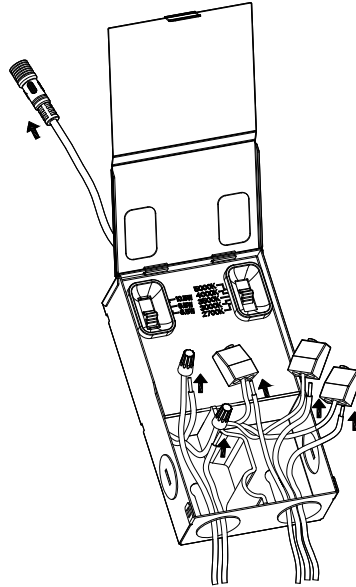
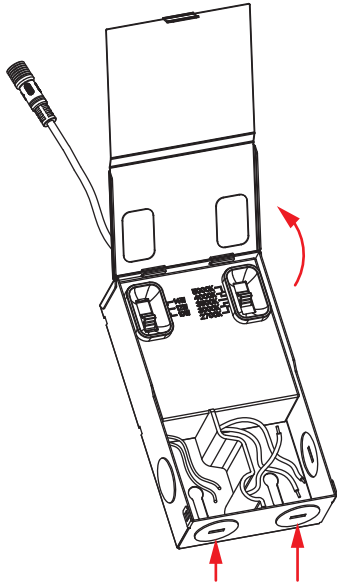
**2. Using installation hole template, create ceiling opening to ensure that the edge of the luminaire will cover the entire opening and still sit firmly in the ceiling (see *Dimensions* on page 2).**

**3. Select desired Wattage and CCT using adjustment switches on fixture (see *Power Select (Wattage) and Color Select (CCT) Adjustment* on page 2).**

**4. Open the driver box and remove the knockout(s) (KO).**

**5. Insert the electrical supply cable through the KO; use appropriate bushing to prevent wire abrasion. Wire driver box (see *Wiring Diagram* on page 3 and illustration below).\***

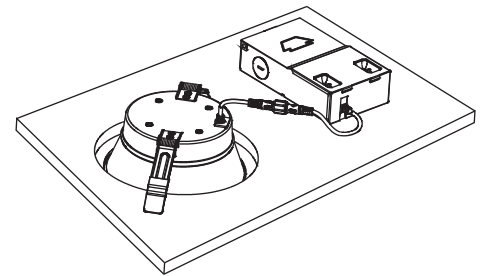
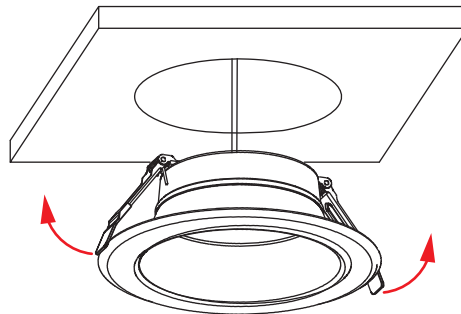
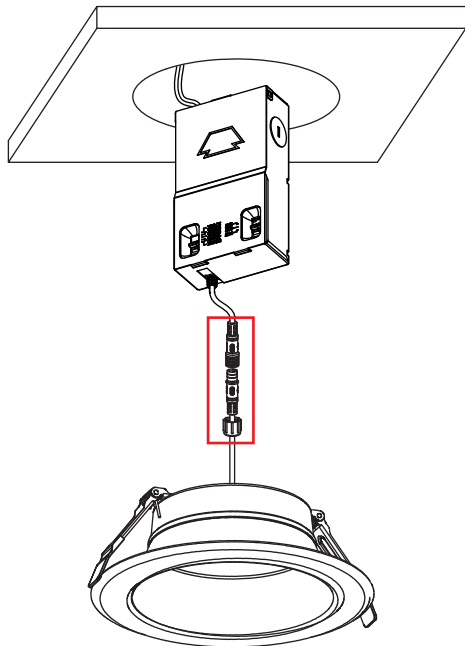
**6. Place all wiring and connections back into the box and close the cover.**



**7. Insert driver box into ceiling in accordance with local/national codes and connect the male and female connectors. Screw threaded nut over connectors to secure.**

**8. Lifting both retention tabs upward, push the fixture into the hole until trim sits flush with ceiling.**

**9. Restore power when ready.**

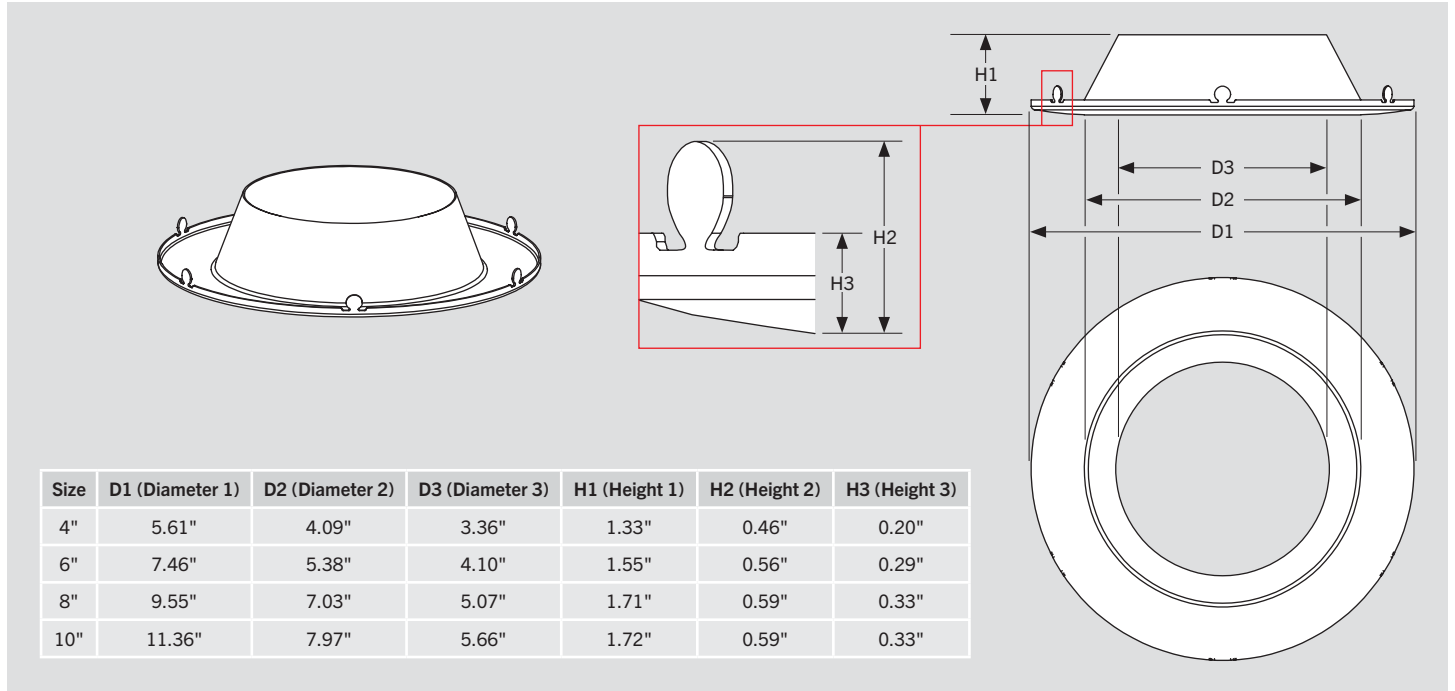


\* Keystone offers an optional cable accessory to assist with wiring to existing fixture J-box. See KT-MC-NP-1-18/3, *Optional Accessories (sold separately)* on page 8.

**OPTIONAL ACCESSORIES** (sold separately)

**INTERCHANGEABLE TRIM FOR LED RECESSED DOWNLIGHTS**

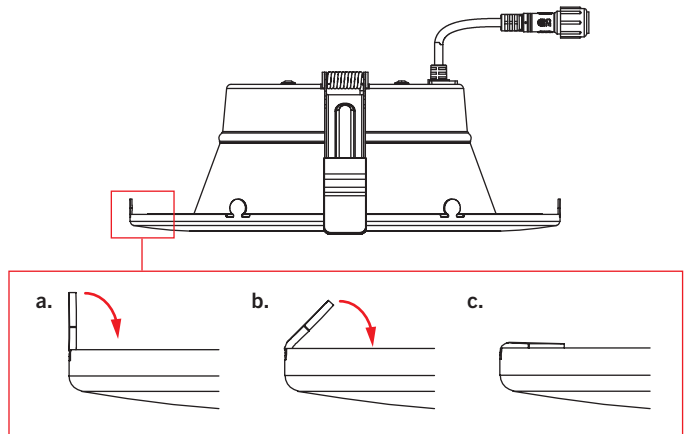
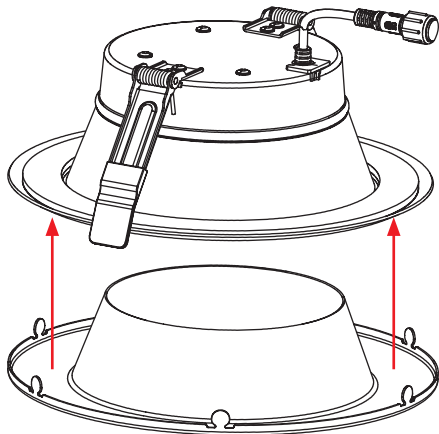
**Dimensions**



**Installation**

1. Slide trim onto fixture; clamp interchangeable trim over fixture trim.

2. Secure trim to fixture by bending tabs until interchangeable trim is flush with fixture trim.



**Ordering Information**

| Catalog Number       | Description   | UPC          | Easy Code |
|----------------------|---|--------------|-----------|
| KT-RDLED-4B-MB-TRIM  | 4" Interchangeable Trim for 4B Recessed Downlight; Matte Black      | 843654139517 | BVY-42    |
| KT-RDLED-4B-BN-TRIM  | 4" Interchangeable Trim for 4B Recessed Downlight; Brushed Nickel   | 843654139555 | SJB-19    |
| KT-RDLED-4B-BR-TRIM  | 4" Interchangeable Trim for 4B Recessed Downlight; Bronze           | 843654139593 | PFU-34    |
| KT-RDLED-6B-MB-TRIM  | 6" Interchangeable Trim for 6B Recessed Downlight; Matte Black      | 843654139524 | KXA-79    |
| KT-RDLED-6B-BN-TRIM  | 6" Interchangeable Trim for 6B Recessed Downlight; Brushed Nickel   | 843654139562 | TPZ-86    |
| KT-RDLED-6B-BR-TRIM  | 6" Interchangeable Trim for 6B Recessed Downlight; Bronze           | 843654139609 | HZD-56    |
| KT-RDLED-8B-MB-TRIM  | 8" Interchangeable Trim for 8B Recessed Downlight; Matte Black      | 843654139531 | TXO-92    |
| KT-RDLED-8B-BN-TRIM  | 8" Interchangeable Trim for 8B Recessed Downlight; Brushed Nickel   | 843654139579 | COD-09    |
| KT-RDLED-8B-BR-TRIM  | 8" Interchangeable Trim for 8B Recessed Downlight; Bronze           | 843654139616 | UFI-14    |
| KT-RDLED-10B-MB-TRIM | 10" Interchangeable Trim for 10B Recessed Downlight; Matte Black    | 843654139548 | QKM-72    |
| KT-RDLED-10B-BN-TRIM | 10" Interchangeable Trim for 10B Recessed Downlight; Brushed Nickel | 843654139586 | EHN-83    |
| KT-RDLED-10B-BR-TRIM | 10" Interchangeable Trim for 10B Recessed Downlight; Bronze         | 843654139623 | VQO-30    |

Optional Accessories continued on next page

**OPTIONAL ACCESSORIES** (sold separately) (continued)

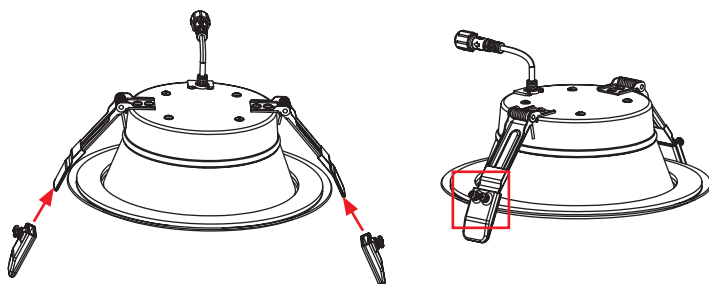
**GOOF RING FOR LED RECESSED DOWNLIGHTS**

**Dimensions**

| Size    | D1 (Diameter 1) | D2 (Diameter 2) | H (Height) |
|---------|-----------------|-----------------|------------|
| 4"–6"   | 7.36"           | 4.17"           | 0.31"      |
| 6"–8"   | 9.45"           | 5.46"           | 0.37"      |
| 8"–10"  | 11.45"          | 7.12"           | 0.33"      |
| 10"–12" | 13.44"          | 8.14"           | 0.43"      |

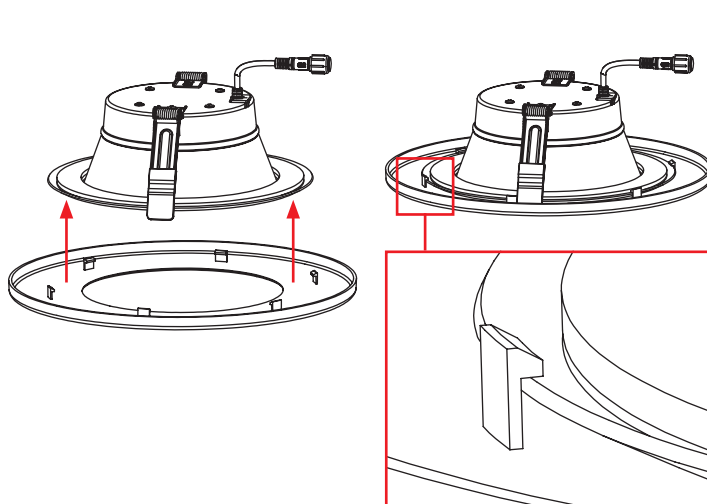
**Installation**

1. Slide extension brackets on to fixture clips and tighten screws.\*

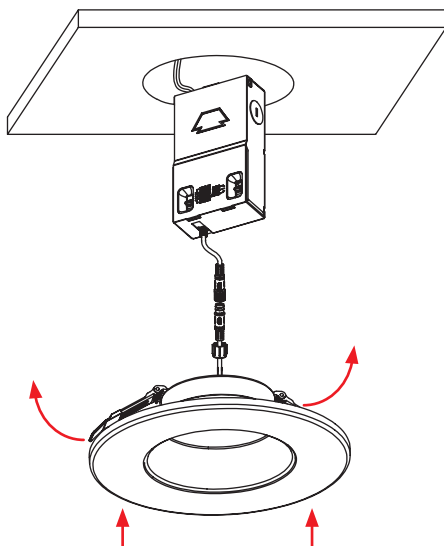


\* Only applicable to KT-RDLED-6B-GOOF and KT-RDLED-10B-GOOF

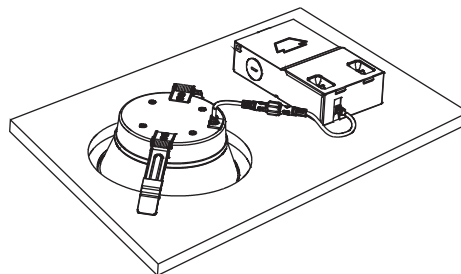
2. Push goof ring gently against fixture until tabs are around the fixture trim.



3. Squeeze the two housing clips so they are in an upright position and then insert lamp into opening.



4. Once lamp is inside opening, release housing clips and continue to push lamp into opening until securely fixed and flush with ceiling.



**Ordering Information**

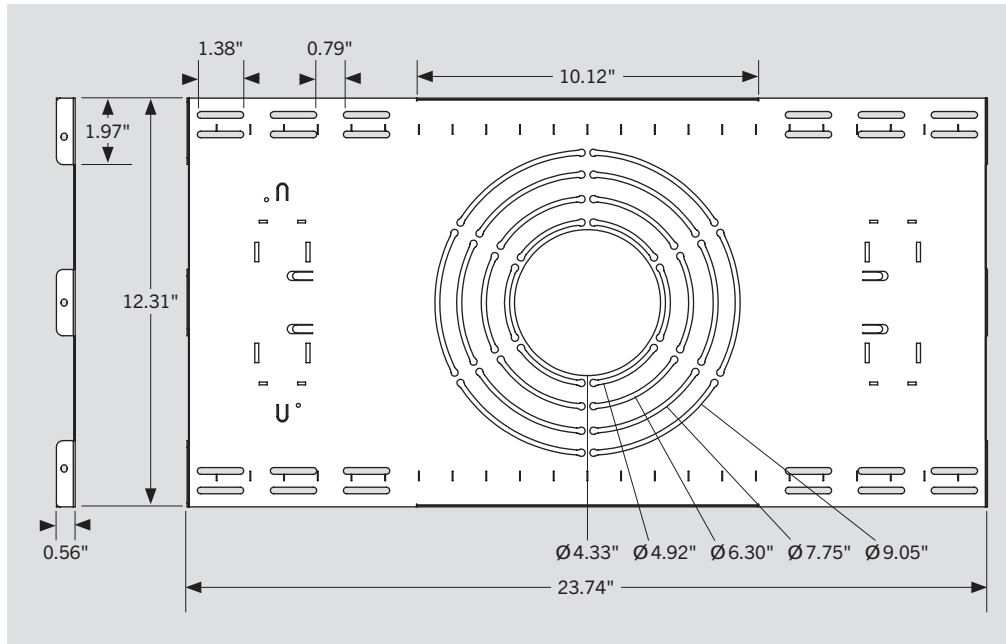
| Catalog Number    | Description   | UPC          | Easy Code |
|-------------------|---|--------------|-----------|
| KT-RDLED-4B-GOOF  | 4" Goof Ring for 4B Recessed Downlights; 6" outer diameter    | 843654139685 | FOA-18    |
| KT-RDLED-6B-GOOF  | 6" Goof Ring for 6B Recessed Downlights; 8" outer diameter    | 843654139692 | BTA-71    |
| KT-RDLED-8B-GOOF  | 8" Goof Ring for 8B Recessed Downlights; 10" outer diameter   | 843654139708 | IWZ-64    |
| KT-RDLED-10B-GOOF | 10" Goof Ring for 10B Recessed Downlights; 12" outer diameter | 843654139715 | UGY-14    |

Optional Accessories continued on next page

**OPTIONAL ACCESSORIES** (sold separately) (continued)

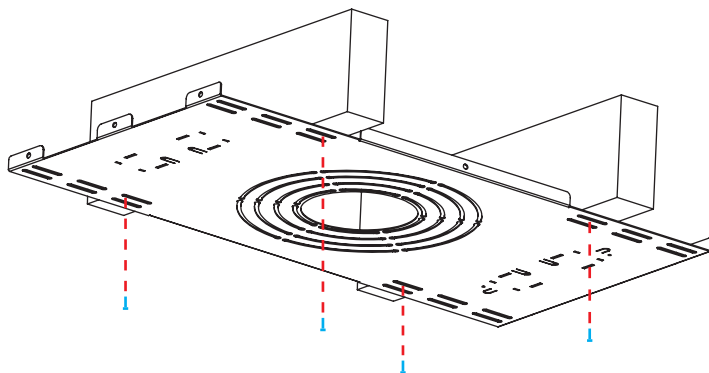
**NEW-CONSTRUCTION PLATE FOR LED RECESSED DOWNLIGHTS**

**Dimensions**



**Installation of Plate With Ceiling Joists**

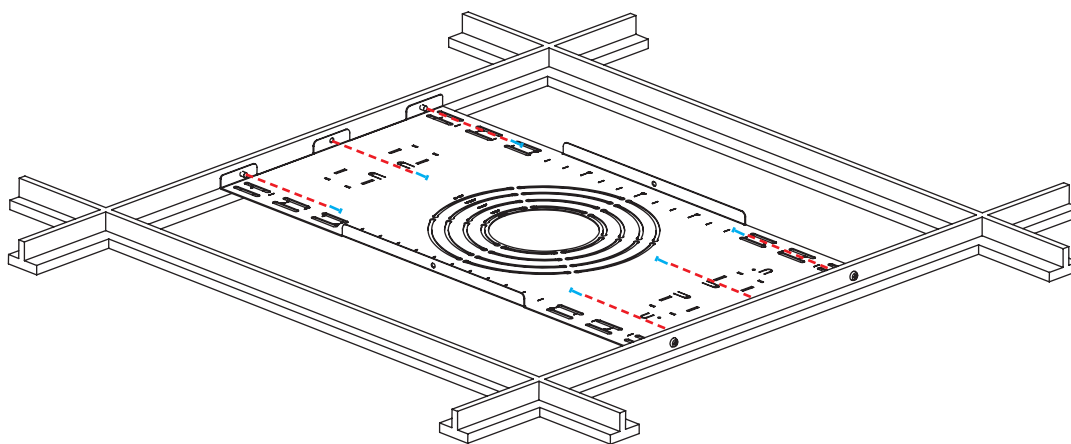
1. Align new-construction plate with ceiling joists and secure plate to joists with appropriate screws (not included).



Note: Plate comes out of the box ready to be installed onto joists that have 12" or 16" spacing. To fit plate onto joists that have 24" spacing, simply bend down end tabs and screw to joists.

**Installation of Plate With T-Grid**

1. Lay new-construction plate into T-grid and secure plate to T-grid with appropriate screws (not included).



**Ordering Information**

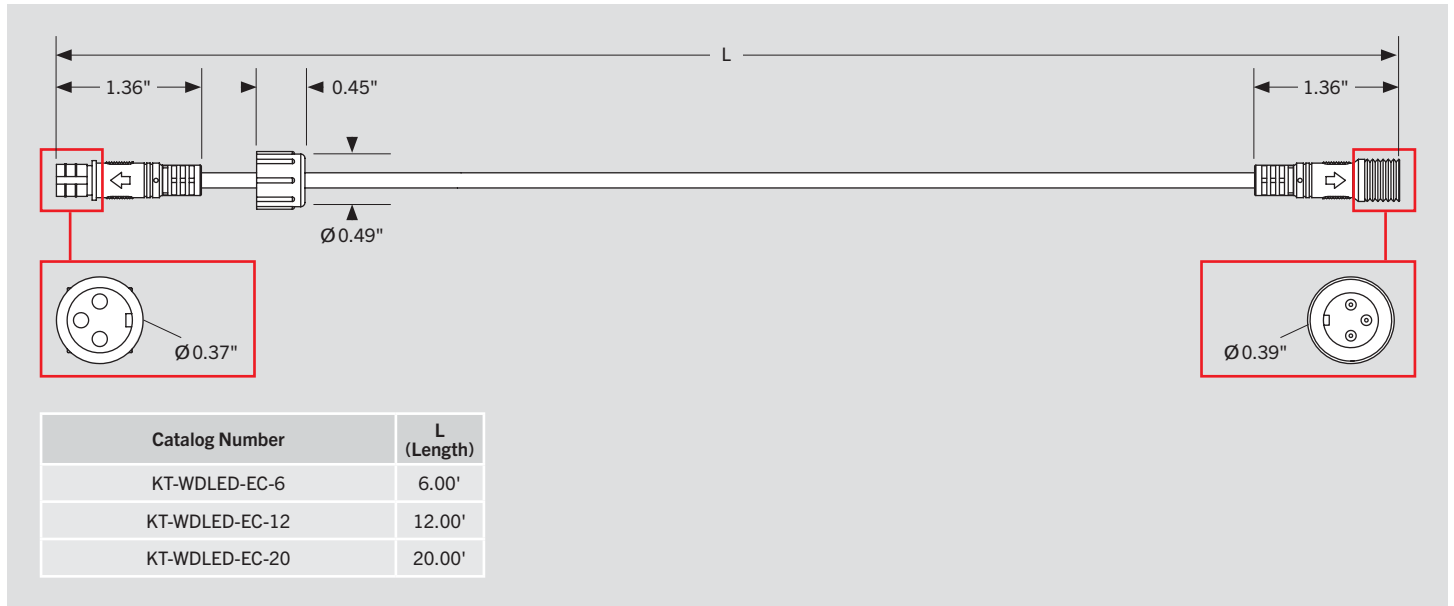
| Catalog Number   | Description  | UPC          | Easy Code |
|------------------|--|--------------|-----------|
| KT-RDLED-PLATE-1 | New-construction plate for LED Recessed Downlights | 843654137285 | BMS-81    |

Optional Accessories continued on next page

**OPTIONAL ACCESSORIES** (sold separately) (continued)

**EXTENSION CABLES FOR LED RECESSED DOWNLIGHTS**

**Dimensions**

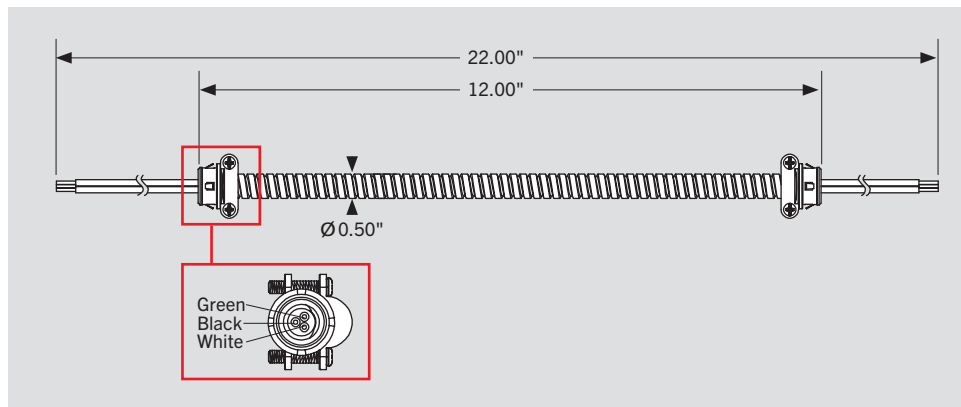


**Ordering Information**

| Catalog Number | Description                                    | UPC          | Easy Code |
|----------------|--|--------------|-----------|
| KT-WDLED-EC-6  | 6' Extension Cord for LED Recessed Downlights  | 843654139739 | GOK-14    |
| KT-WDLED-EC-12 | 12' Extension Cord for LED Recessed Downlights | 843654139746 | ECE-88    |
| KT-WDLED-EC-20 | 20' Extension Cord for LED Recessed Downlights | 843654139753 | JLM-06    |

**METAL-CLAD CABLE FOR LED RECESSED DOWNLIGHTS**

**Dimensions**



**Ordering Information**

| Catalog Number  | Description   | UPC          | Easy Code |
|-----------------|---|--------------|-----------|
| KT-MC-NP-1-18/3 | Metal-Clad Cable for LED Recessed Downlights; No plug; UL 16AWG 18/3 wire (live, neutral, ground) | 843654139777 | AYT-71    |

**LED RECESSED DOWNLIGHT ORDERING INFORMATION**

| Catalog Number             | Pack Qty. | UPC          | Easy Code |
|----------------------------|-----------|--------------|-----------|
| KT-RDLED16PS-4B-9CSF-VDIM  | 1         | 843654139265 | ZBD-42    |
| KT-RDLED18PS-6B-9CSF-VDIM  | 1         | 843654139272 | VBR-54    |
| KT-RDLED29PS-8B-9CSF-VDIM  | 1         | 843654139289 | QRX-40    |
| KT-RDLED38PS-10B-9CSF-VDIM | 1         | 843654139296 | HIM-98    |