



KT-RKIT8AC-3C-8XX-FDIM

DESCRIPTION

80 CRI AC LED Light Engine



PRODUCT FEATURES

- L70 > 50,000 Hours
- Operating Temperature: 0°F-104°F, -18°C-40°C
- UL Classified
- High Factor >.90
- Seoul LEDs
- Suitable for Fully Enclosed Fixtures
- THD <20%
- 5% Minimum Dimming, Low Flicker
- Comes with mounting accessories
- Pre-assembled with Metal Heatsink 5VA Cover

Z

PERFORMANCE SPECIFICATIONS

Size	Catalog Number	Color Temp	CRI	Wattage	Lumens	Efficacy	Input Voltage	Dimming Method
3" Round	KT-RKIT8AC-3C-830-FDIM	3000K	>80	8W	750	93 lm/W	120V	Phase Control
	KT-RKIT8AC-3C-840-FDIM	4000K	>80	8W	770	96 lm/W	120V	Phase Control
	KT-RKIT8AC-3C-850-FDIM	5000K	>80	8W	790	98 lm/W	120V	Phase Control

COMPATIBLE DIMMERS

Manufacturer	Model Number
Lutron	S-600PR-WH
Lutron	TGCL-153PH-WH
Lutron	MACL-153MH-LA
LEVITON	WA-RXX-06674-12A

EQUIVALENCES

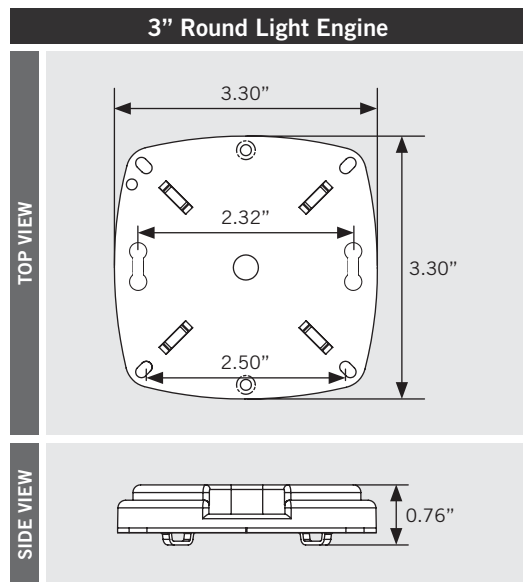
- 1 x 60W Incandescent
- 1 x18W CFL

For questions on additional dimmer compatibility, please contact Keystone.



KT-RKIT8AC-3C-8XX-FDIM

DIMENSIONS



CATALOG NUMBER BREAKDOWN

KT-RKIT8AC-3C-8XX-FDIM

1 2 3 4 5 6 7 8

- 1. Keystone Technologies
- 2. Future Fit Kit
- 3. Wattage
- 4. Alternating Current
- 5. 3" Circular
- 6. 800 Series
- 7. Color Temperature
- 8. Phase Control Dimming