



# KT-LED9T8-48G-8XX-D

## T8 LED LAMP

### DESCRIPTION

9W T8 LED | 3500-5000K | >83 CRI | High Efficiency



<b>LAMP TYPE:</b> Linear
<b>BULB TYPE:</b> T8 LED
<b>BASE TYPE:</b> G13 (Medium Bi-Pin)
<b>WATTAGE:</b> 9W
<b>COLOR TEMPERATURE:</b> 3500-5000K
<b>COLOR RENDERING INDEX (CRI):</b> >83
<b>WARRANTY:</b> 5 Years



### PRODUCT FEATURES

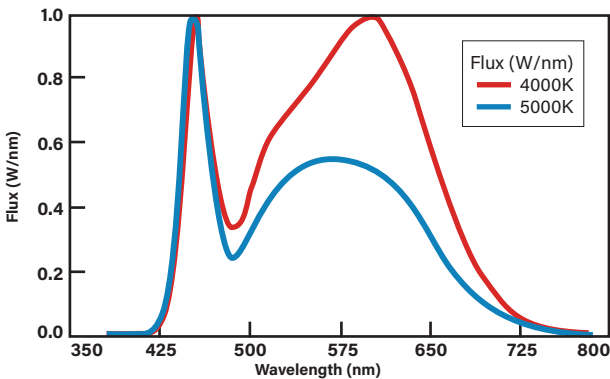
- Replacement for conventional fluorescent lamp
- 50,000+ hour lifetime
- Approx. 50% more energy efficient than standard F32T8 lamps
- Environmentally Friendly; No mercury used
- Instant startup
- Frosted lens eliminates pixelation
- UL Verified low optical flicker
- UL Classified
- Operating temperature: -20°C/-4°F to 45°C/113°F
- Integral driver (Isolated) eliminates the need for external driver or ballast
- Approximately ~175 lumens per watt
- UL Flicker Free Design from date code 1905C
- Lamp is dimmable when used with an appropriate dimming accessory (purchased separately). Contact Keystone for more details to find out what is best for the intended application.

### ELECTRICAL AND PERFORMANCE SPECIFICATIONS

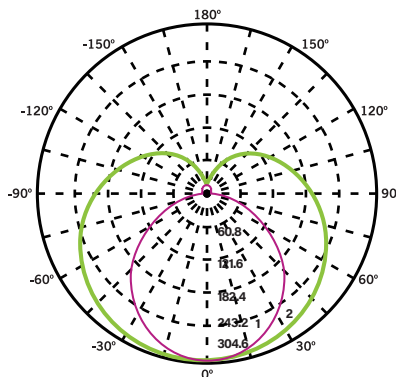
Catalog Number	Input Voltage	Wattage	Color Temperature (CCT)	Luminous Flux	Efficacy	Beam Angle	Visible Light Area	Power Factor	Input Current	Rated Life
KT-LED9T8-48G-835-D	120-277 Vac	9W	3500K	1600 lm	178 lm/W	240°	325°	>0.9	0.12A @ 120V 0.05A @ 277V	L70 (Hours) 50,000
KT-LED9T8-48G-840-D			4000K	1650 lm	183 lm/W					
KT-LED9T8-48G-850-D			5000K	1650 lm	183 lm/W					

### PHOTOMETRIC SPECIFICATIONS

#### SPECTRAL DISTRIBUTION



#### POLAR CANDELA DISTRIBUTION



- Maximum Candela = 1248.55**  
**Located at Horizontal Angle = 0,**  
**Vertical Angle 0**
- Violet** Vertical Plane through Horizontal Angles (90-270)
  - Green** Vertical Plane through Horizontal Angles (0-180)



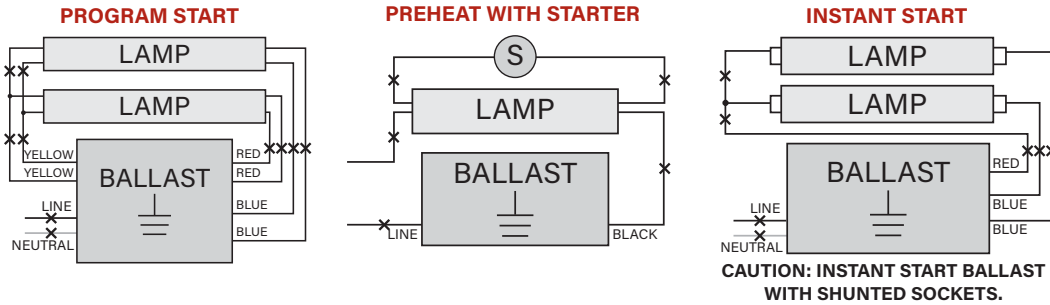
# KT-LED9T8-48G-8XX-D

## T8 LED LAMP

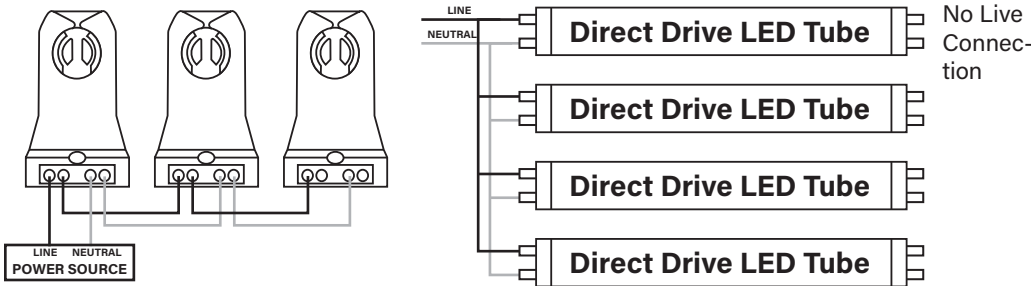
### WIRING DIAGRAMS

1. Cut all existing connections to ballast as shown below and remove ballast.

#### Typical Ballast Configurations:



2. Re-wire fixture as shown below.



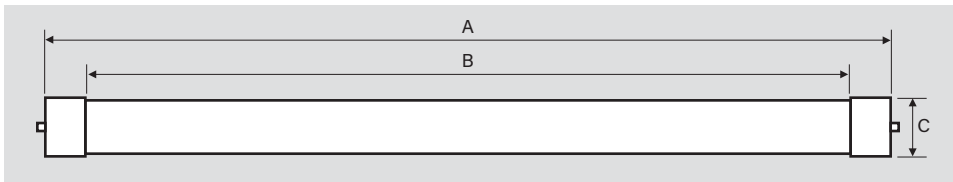
**Typical Non-Shunted Lampholder**

Connect wires directly to these terminals

**CAUTION: Use only non-shunted lampholders.**  
Do not install product in a fixture with shunted lampholders (found in all fixtures using instant start ballasts). If the current lampholders are shunted, remove them and replace them with non-shunted lampholders. Make new connections directly to terminals as indicated above.

Keystone can provide any style replacement lampholders. Call us at 800-464-2680.

### PHYSICAL SPECIFICATIONS



### LAMP DIMENSIONS

A (Body Length)	47.15"
B (Illuminated Length)	47.15"
C (Diameter)	1.10"

**NOMINAL LENGTH:** 48"  
**BASE TYPE:** G13 (Medium Bi-Pin)

### ORDERING INFORMATION

ORDER CODE	PACK QTY.	EASY CODE	UPC	DLC PRODUCT ID
KT-LED9T8-48G-835-D-CP	25	SRO-04	843654122625	PL20KNTN1GZ0
KT-LED9T8-48G-840-D-CP	25	QZI-38	843654122632	PLQEON3LWD3C
KT-LED9T8-48G-850-D-CP	25	TYU-75	843654122649	PLZXKTL9R53L

### CATALOG NUMBER BREAKDOWN

# KT-LED9T8-48G-8XX-D-CP

1 2 3 4 5 6 7 8 9 10

- 1 Keystone Technologies
- 2 LED Lamp
- 3 Wattage
- 4 Lamp Type
- 5 Nominal Length (Inches)
- 6 Glass
- 7 80 CRI
- 8 Color Temperature
- 9 DirectDrive Series
- 10 Packaging Style