



# XFIT



## KT-WPLED20-S1-8CSB-VDIM /EM4

### SMALL LOW PROFILE LED WALL PACK WITH BATTERY BACK UP

#### DESCRIPTION

20W Small Low Profile LED Wall Pack with Built-in Emergency | 120-277V Input  
| Color Select | Bronze Finish | Impact Resistant Lens

#### APPLICATION

Building mount for exterior illumination (entryways, pathways, stairwells, security, and other general site lighting requirements)



**10 YEAR**  
LIMITED WARRANTY



#### PRODUCT FEATURES

- Keystone Color Select technology (3000/4000/5000K)
- Includes integrated 4W 550 lumen emergency back up and test switch
- Small low profile design can be mounted anywhere, offering uniform vertical and horizontal distribution pattern for general safety and security illumination needs
- Heavy duty die cast aluminum housing with (3) 1/2" threaded conduit hubs: (1) on back and (1) on each side
- Impact resistant, highly diffused polycarbonate lens with anti yellowing agent for reduced glare at low mounting heights
- Built-in dusk-to-dawn photocell behind translucent 1/2" threaded plug with anti-yellowing agent
- ADA compliant with low-profile housing less than 4" deep
- Powered by Keystone 0-10V dimming LED drivers, dimmable to 10%
- Ambient operating temperature: -20°C/-4°F to 45°C/113°F\*\*
- UL Certified for wet locations; IP65 rated
- Fixture impact rating IK07
- Power Factor: > 0.95
- THD: < 20%
- LED chip lifetime: L70 >100,000 hrs @ 25°C/77°F ambient fixture temp
- Meets FCC Part 15, Part B, Class A standards for conducted and radiated emissions

#### PRODUCT SPECIFICATIONS

Catalog Number	Wattage	Lumens	Lumens Below 90°	CCT*	Efficacy	Dimming	Emergency Wattage	Emergency Lumen Input	Rated Life	Legacy Equivalent
KT-WPLED20-S1-8CSB-VDIM /EM4	20W	2600	2340	3000K	130 lm/W	0-10V	4W	550	50,000 hrs	50-70W MH
		2700	2430	4000K	135 lm/W					
		2500	2330	5000K	125 lm/W					

\* Color Uniformity: CCT (Correlated Color Temperature) range as per guidelines outlined in ANSI C78.377-2017

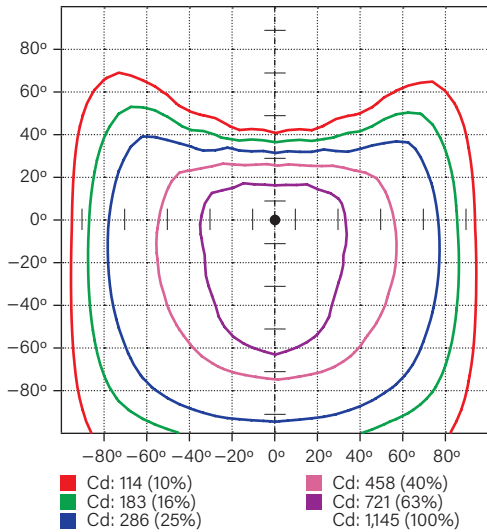
\*\* KT-WPLED20-S1-8CSB-VDIM /EM4 assembled before 09/2025 are not suitable for use below 0°C/32°F. Contact Keystone with questions.

# KT-WPLED20-S1-8CSB-VDIM /EM4

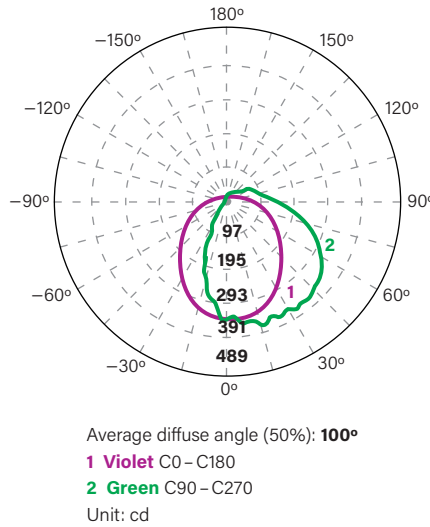
SMALL NON CUTOFF WALL PACK WITH BATTERY BACK UP

**PHOTOMETRIC SPECIFICATIONS**

**ISOCANDELA PLOT**



**LUMINOUS INTENSITY DISTRIBUTION**



**FLUX DISTRIBUTION**

Zone	Lumens	% Luminaire
<b>Forward Light</b>	1,653 lm	64.0%
0°-30°	379 lm	14.7%
30°-60°	758 lm	29.4%
60°-80°	400 lm	15.5%
80°-90°	116 lm	4.5%
<b>Back Light</b>	667 lm	25.8%
0°-30°	264 lm	10.2%
30°-60°	283 lm	11.0%
60°-80°	97 lm	3.8%
80°-90°	23 lm	0.9%
<b>Up Light</b>	261 lm	10.1%
90°-100°	92 lm	3.5%
100°-180°	170 lm	6.6%

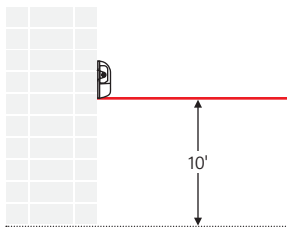
**BUG\* Rating**

Asymmetrical Luminaire Types	
Type I, II, III, IV	B1 U3 G1
Quadrilateral Symmetrical Luminaire Types	
Type V, Area Light	B1 U3 G1

\* Backlight, Uplight, Glare

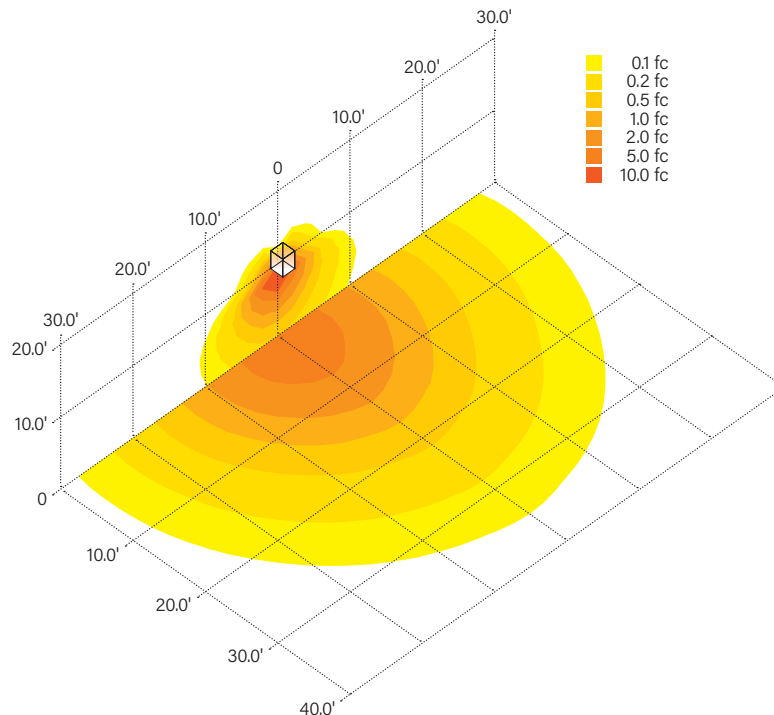
**MOUNTING**

Side view



**LIGHT DISTRIBUTION PATTERN**

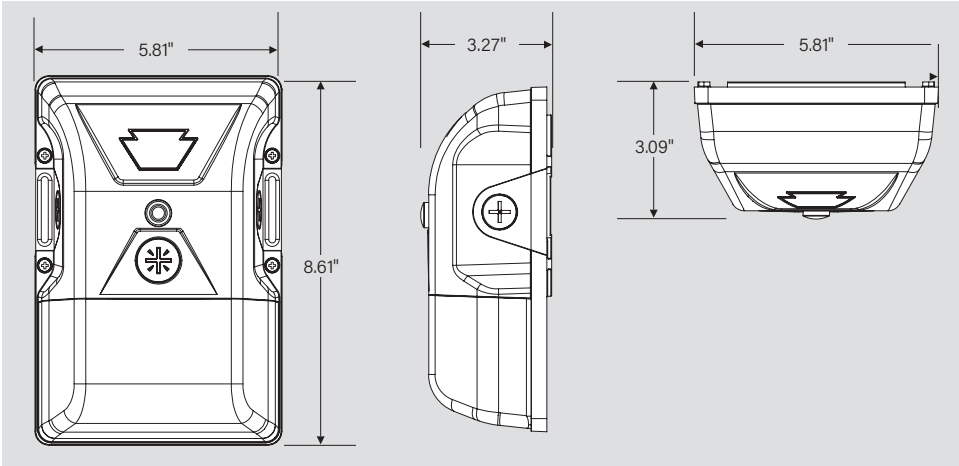
Isometric view from above; Luminaire mounted at 10'



# KT-WPLED20-S1-8CSB-VDIM / EM4

## SMALL NON CUTOFF WALL PACK WITH BATTERY BACK UP

### PHYSICAL SPECIFICATIONS

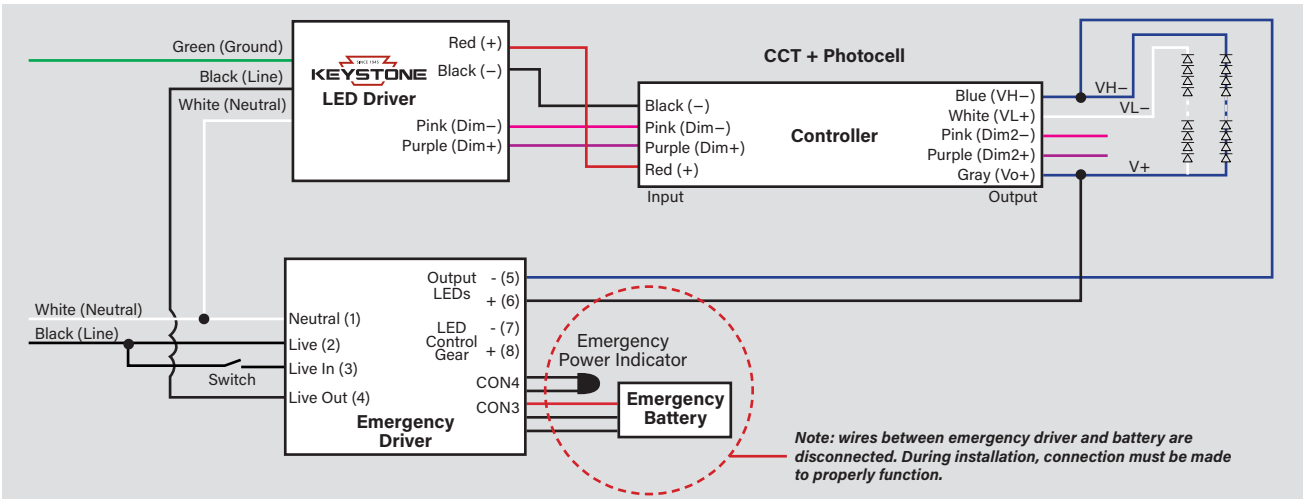


**Caution:** Before installing, make certain that AC power to the fixture is off.

**Caution:** The electrical rating of this product is 120-277V. Installer must confirm that there is 120-277V at the fixture before installation.

### GENERAL SETUP INSTRUCTIONS

#### GENERAL WIRING DIAGRAM

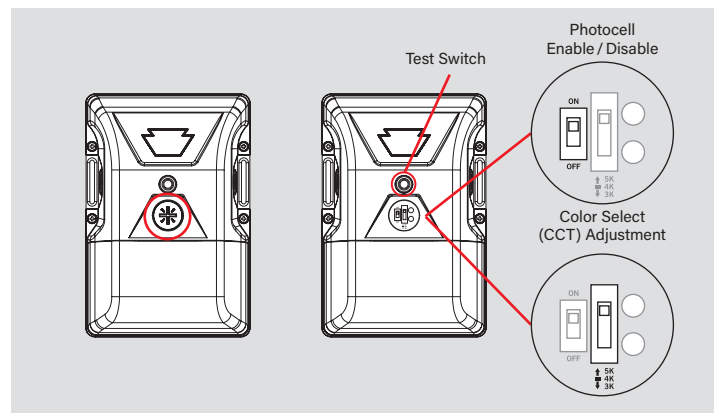


### PHOTOCELL ENABLE / DISABLE

This fixture is equipped with a dusk-to-dawn photocell behind the translucent knock-out (KO) cover. Adjust the dip switch to enable (ON) or disable (OFF) the photocell function (see illustrations to the right). Fixture comes preset with photocell enabled unless otherwise noted.

### COLOR SELECT (CCT) ADJUSTMENT

Certain fixture models are equipped with Color Select technology. There is an adjustable dip switch behind the translucent knock-out (KO) cover to change CCT between 5000K, 4000K, and 3000K (see illustrations to the right). Fixture comes preset at 5000K unless otherwise noted.





# KT-WPLED20-S1-8CSB-VDIM /EM4

SMALL NON CUTOFF WALL PACK WITH BATTERY BACK UP

**ORDERING INFORMATION**

CATALOG NUMBER	UPC	EASY CODE	DLC ID
KT-WPLED20-S1-8CSB-VDIM /EM4	843654157498	OMA-65	S-X7F4R9

**CATALOG NUMBER BREAKDOWN**

# KT-WPLED20-S1-8CSB-VDIM /EM4

1
2
3
4
5
6
7
8
9
10
11

- 1** Keystone Technologies
- 2** Fixture Type
 

WP	Wall Pack
----	-----------
- 3** LED Lamp
- 4** Wattage
- 5** Size
 

S	Small
---	-------
- 6** Style
 

1	Non-Cutoff
---	------------
- 7** 80 CRI
- 8** Color Select
- 9** Color Select Designation
 

B	3000/4000/5000K
---	-----------------
- 10** 0-10V Dimming
 

VDIM	0-10V
------	-------
- 11** Emergency Battery Backup