

## KTLD-2LT8-UV-13.5C-VDIM /G2

### CONSTANT CURRENT LED DRIVER FOR TYPE C T8 LAMPS

#### DESCRIPTION

Constant Current Output | 120-277V Input | 0-10V Dimming



RoHS  
Compliant



**10 YEAR**  
LIMITED WARRANTY

<b>DRIVER TYPE:</b> Constant Current
<b>MAX. OUTPUT POWER:</b> 24.3W
<b>INPUT VOLTAGE:</b> 120-277Vac ±10%
<b>OUTPUT VOLTAGE:</b> 36~45 Vdc
<b>OUTPUT CURRENT:</b> 270mA x 2 channels
<b>WARRANTY:</b> 10 Years



#### PRODUCT FEATURES

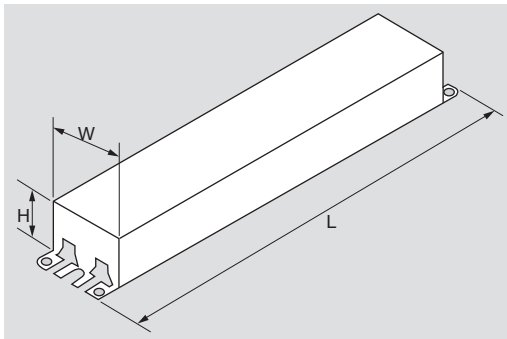
- Compatible with Keystone External Drive T8 LED Lamps
- Meets FCC Part 15 (Class B) Consumer Limits
- Short Circuit Overload and Open Load Protection
- Type 1 Outdoor, Suitable for Dry and Damp Locations
- UL8750 Recognized Component
- Dimmable with 0-10V dimmer, minimum dim 10%
- Operating Temperature: -20°C/-4°F to 45°C/113°F
- 85°C/185°F Maximum Case Temperature
- Input Frequency: 50/60 Hz
- THD: < 20%
- 70,000 hour lifetime

#### ELECTRICAL SPECIFICATIONS

INPUT CHARACTERISTICS				OUTPUT CHARACTERISTICS			FEATURES
Input Voltage	Input Power	Power Factor	Max. Current	Max. Output Power	Rated Output Current	Output Voltage	Efficiency
120-277Vac	30W	>0.9	0.25A @ 120V	27W	310mA x 2 Channels	36-45Vdc	88%

#### MECHANICAL SPECIFICATIONS

##### CASE DIMENSIONS



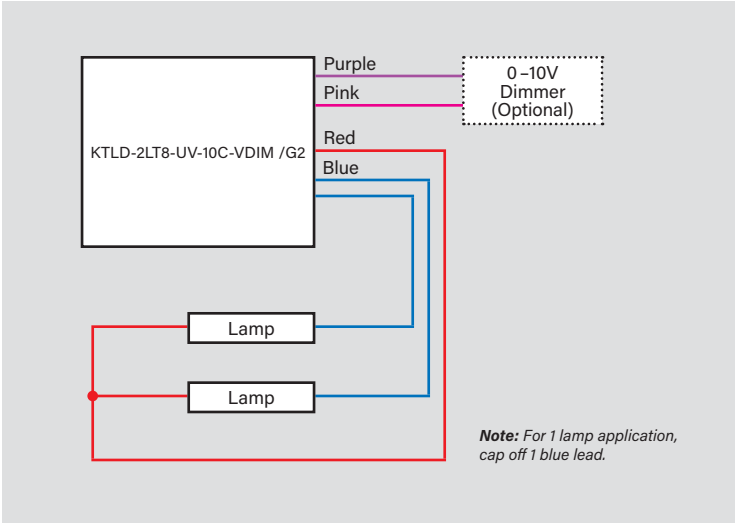
<b>LENGTH (L)</b>	9.50"
<b>WIDTH (W)</b>	1.33"
<b>HEIGHT (H)</b>	1.10"

\*TC Point (85°C) is noted on each driver label

# KTLD-2LT8-UV-13.5C-VDIM /G2

## CONSTANT CURRENT LED DRIVER FOR TYPE C T8 LAMPS

**WIRING**



**STANDARD LEAD LENGTHS\***

Input	Black	30.00"
	White	30.00"
Output	Red	30.00"
	Blue	30.00"
Dimming	Purple	30.00"
	Pink	30.00"

Lead wires are 18 AWG 105° C/600V.

\*Consult Keystone for special lead length requirements.

**ORDERING INFORMATION**

ORDER CODE	PACKAGING STYLE	UPC	EASY CODE
KTLD-2LT8-UV-13.5C-VDIM-CP /G2	Carton Pack	843654141107	KQJ-70

**CATALOG NUMBER BREAKDOWN**

# KTLD-2LT8-UV-13.5C-VDIM-CP /G2

- 1
- 2
- 3
- 4
- 5
- 6
- 7
- 8

- 1** Keystone Technologies LED Driver
- 2** Number of Lamps
- 3** Lamp Type
- 4** 120-277V Input
- 5** Lamp Wattage
- 6** 0-10V Dimming
- 7** Packaging Style
- 8** Generation 2