



LAMP TYPE: 250W High Pressure Sodium (S50)

INPUT VOLTAGE: Quad (120/208/240/277)

CIRCUIT TYPE: CWA

PRODUCT FEATURES

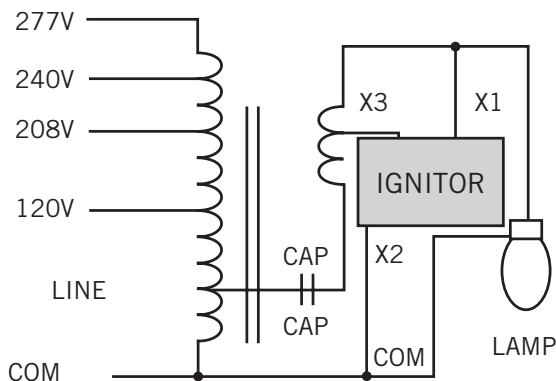
- ANSI Designation: S50
- Line Voltage: 120/208/240/277
- Regulation: 10%
- Frequency: 60 Hz
- Recommended Fuse (A): 8/5/4/4
- Circuit Type: CWA
- Insulation Class: 180°C
- Capacitor: 35 μ F
- Capacitor Voltage Rating: 280 V
- Capacitor Temperature Rating: 90°C
- Winding Materials: Cu/Al
- Lamp Starter: XG-02
- Agency Certification: RU, cRU
- Maximum Distance to Lamp: 10 FT

ELECTRICAL SPECIFICATIONS

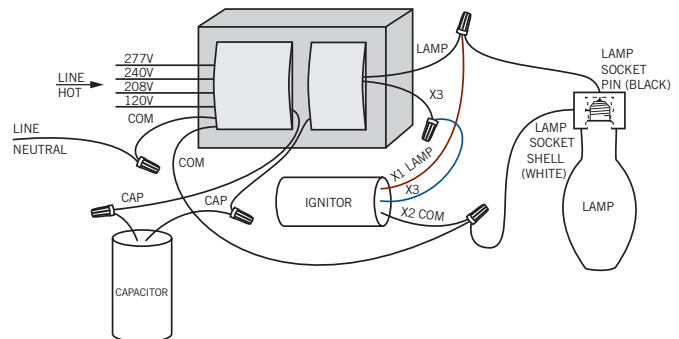
LINE VOLTAGE	POWER FACTOR	LINE CURRENT			INPUT POWER	OPEN CIRCUIT VOLTAGE	MINIMUM START TEMP	CLASS N 200°C UL TEMP CODE
		OPERATING	OPEN CIRCUIT	STARTING				
120V	High	2.53A	2.20A	1.41A	300W	189V	-40°F/-40°C	B
208V	High	1.46A	1.29A	0.79A	300W	189V	-40°F/-40°C	B
240V	High	1.24A	1.13A	0.73A	300W	189V	-40°F/-40°C	B
277V	High	1.06A	0.93A	0.63A	300W	189V	-40°F/-40°C	B

WIRING DIAGRAM

DIAGRAM H3



H3

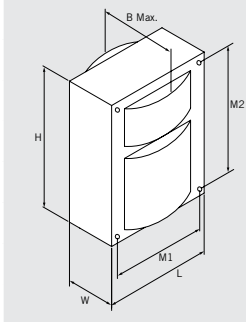


HPS-250A-Q-KIT

250W HIGH PRESSURE SODIUM BALLAST KIT

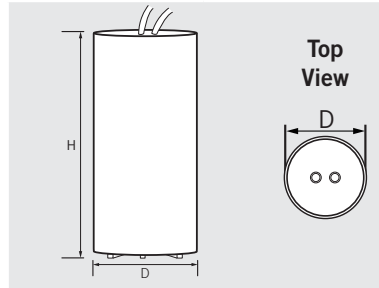
PHYSICAL SPECIFICATIONS

BALLAST SPECIFICATIONS



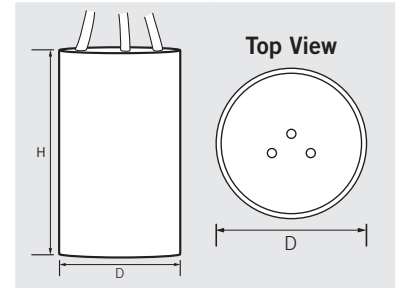
LENGTH	4.30"
WIDTH	1.81"
HEIGHT	4.80"
MOUNTING 1	3.87"
MOUNTING 2	4.38"
B MAX.	3.43"
NET WEIGHT	9.3 lbs
LEAD LENGTH	12-14"

CAPACITOR SPECIFICATIONS



DIAMETER	1.76"
HEIGHT	3.67"
TYPE	Dry Film

IGNITOR SPECIFICATIONS



DIAMETER	1.32"
HEIGHT	2.34"
TYPE	CWA

ORDERING INFORMATION

ORDER CODE	PACKAGING STYLE	PACK QTY.	ITEM STATUS
HPS-250Q-Q-KIT	Individually Packaged	1	Quick Ship

Each kit includes the ballast pre-wired to a properly rated capacitor and ignitor (if required), mounting hardware, and pictorial installation guide.

CATALOG NUMBER BREAKDOWN

