



KTEB-254HO-UV-PS

T5HO ELECTRONIC BALLAST



DESCRIPTION

2 x F54T5HO | 120-277 Multi-Voltage | HPF | Program Start | 90°C Rated

STARTING METHOD: Program Start

LAMP CONNECTION: Series

INPUT VOLTAGE: 120-277Vac ±10%

INPUT FREQUENCY: 50/60 Hz

POWER FACTOR: High

WARRANTY: 5 Years



PRODUCT FEATURES

- Sound Rated: A
- Minimum Starting Temperature: 0°F, -18°C
- Maximum Case Temperature: 194°F, 90°C
- Meets FCC Part 18 (Class A) Non-Consumer Limits
- Meets ANSI Standard C62.41 Cat. A
- UL, cUL Listed Class P, Type 1 Outdoor
- Lamp End-of-Life Protected

ELECTRICAL SPECIFICATIONS

LAMP TYPE	NO. OF LAMPS	INPUT VOLTS	INPUT WATTS	NOMINAL LINE AMPS	POWER FACTOR	BALLAST FACTOR	BALLAST EFFICACY FACTOR	MAX THD (%)	CREST FACTOR	WIRING DIAGRAM
F54T5HO	2	120V	120	1.00	0.98	1.00	0.83	10	<1.70	F2-12
		277V	117	0.43	0.98	1.00	0.85	10	<1.70	F2-12
	1	120V	62	0.52	0.96	1.02	1.65	15	<1.70	F1-11
		277V	62	0.23	0.96	1.02	1.65	15	<1.70	F1-11
FC12T5HO 55W	2	120V	106	0.89	0.98	0.85	0.80	10	<1.70	P2-2
		277V	103	0.38	0.98	0.85	0.83	10	<1.70	P2-2
	1	120V	55	0.46	0.96	0.87	1.58	15	<1.70	P1-2
		277V	55	0.21	0.96	0.87	1.58	15	<1.70	P1-2
FT55W/2G11	2	120V	112	0.94	0.98	0.90	0.80	10	<1.70	P2-2
		277V	109	0.41	0.98	0.90	0.83	10	<1.70	P2-2
	1	120V	58	0.49	0.96	0.92	1.59	15	<1.70	P1-2
		277V	58	0.22	0.96	0.92	1.59	15	<1.70	P1-2
FT50W/2G11	2	120V	118	0.99	0.98	1.10	0.93	10	<1.70	P2-2
		277V	115	0.43	0.98	1.10	0.96	10	<1.70	P2-2
	1	120V	61	0.51	0.96	1.12	1.84	15	<1.70	P1-2
		277V	61	0.23	0.96	1.12	1.84	15	<1.70	P1-2
FT36W/2G11	2	120V	89	0.75	0.98	1.20	1.35	10	<1.70	P2-2
		277V	86	0.32	0.98	1.20	1.40	10	<1.70	P2-2
	1	120V	46	0.39	0.98	1.22	2.65	20	<1.70	P1-2
		277V	46	0.18	0.96	1.22	2.65	20	<1.70	P1-2

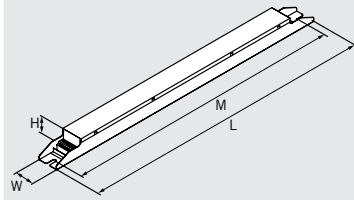


KTEB-254HO-UV-PS

T5HO ELECTRONIC BALLAST

PHYSICAL SPECIFICATIONS

CASE DIMENSIONS



LENGTH	16.89"
WIDTH	1.20"
HEIGHT	1.00"
MOUNTING	16.02"
CASE STYLE	U4

STANDARD LEAD LENGTHS*

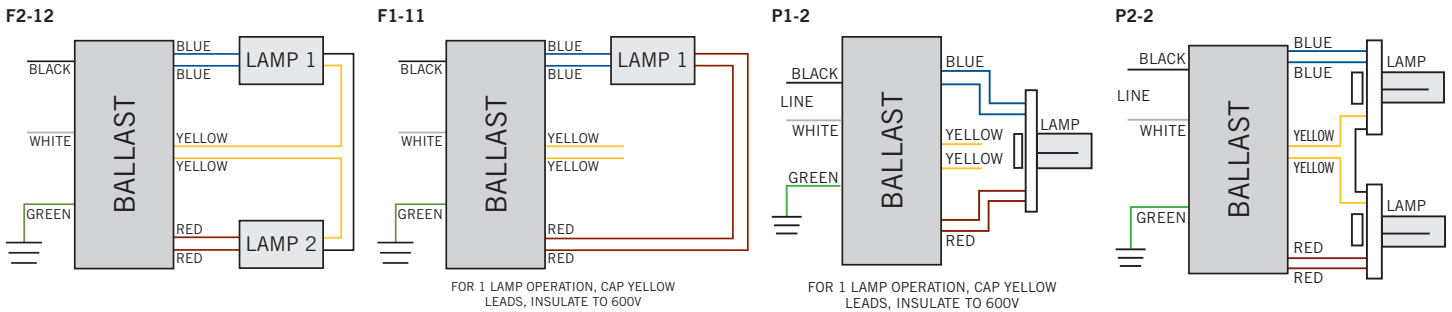
BLACK	31"
WHITE	31"
BLUE	28"
RED	28"
YELLOW	48"

Lead wires are 18 AWG 105 C/600V, solid copper.

CASE MATERIAL: Steel

*Consult Keystone for special lead length requirements.

WIRING DIAGRAMS



ORDERING INFORMATION

ORDER CODE	PACKAGING STYLE	PACK QTY.	ITEM STATUS
KTEB-254HO-UV-PS-DP	Distributor Pack	10	Quick Ship

ALTERNATE DESIGNS

PART NUMBER	DESCRIPTION
KTEB-254HO-UV-PS /A-DP	Push-In Wire Lead Connectors; Leads Included

CATALOG NUMBER BREAKDOWN

KTEB-254HO-UV-PS-DP

