



KT-FLED35-R1A-UNV-8CSB-VDIM

COMPACT 35W GENERAL-PURPOSE LED FLOODLIGHT

DESCRIPTION

Compact 35W General-Purpose LED Floodlight | 120-277V Input | 3000-5000K | Bronze Housing | Multiple Mounting Options

APPLICATION

Building or ground mount application for outdoor illumination (landscapes, display signage, loading docks, building façades, pathways, parking areas, and other general site lighting requirements)



10 YEAR LIMITED WARRANTY

PRODUCT FEATURES

- Keystone Color Select technology (3000/4000/5000K)
- Uniform, wide flood design (NEMA 7H x 7V distribution pattern)
- Heavy-duty, die cast aluminum housing featuring built-in glare visor and tempered glass lens
- Powered by Keystone 0-10V dimming LED driver
- Built-in dusk-to-dawn photocell behind translucent 3/4" threaded plug with anti-yellowing agent
- Heavy-duty 1/2" knuckle mount with 90° adjustment and yoke mount options included
- Ambient operating temperature: -30°C/-22°F to 45°C/113°F
- UL listed for wet locations, IP65
- 0-10V dimming, 10% min
- Power Factor: >0.95
- THD: <20%
- LED chip lifetime: L70 >100,000 hrs @ 25°C/77°F ambient fixture temp
- Meets FCC Part 15, Part B, Class A standards for conducted and radiated emissions
- 18" input cable, pre-stripped
- Fixture impact rating IK07
- TAA options available, see Ordering Information below for details

PERFORMANCE SPECIFICATIONS

Catalog Number	Wattage	Selectable CCT*	Lumens	Efficacy	Input Voltage	Housing Color	Optics Type	DLC	CRI	Metal Halide Equivalent
KT-FLED35-R1A-UNV-8CSB-VDIM	35W	3000K	4480 lm	128 lm/W	120-277V	Bronze	7H x 7V	Yes	>80	150-175W MH
		4000K	5075 lm	145 lm/W						
		5000K	4900 lm	140 lm/W						

* Color Uniformity: CCT (Correlated Color Temperature) range as per guidelines outlined in ANSI C78.377-2017

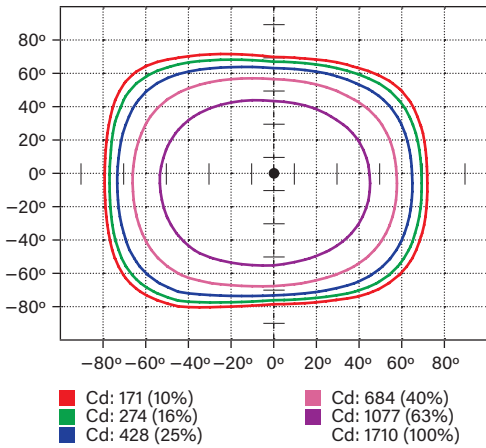


KT-FLED35-R1A-UNV-8CSB-VDIM

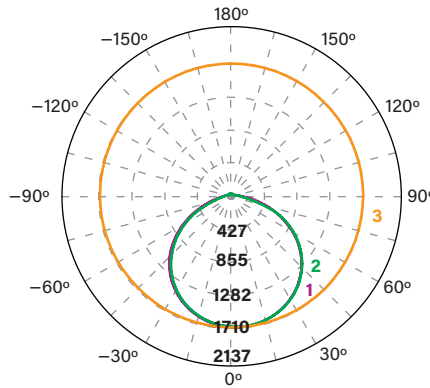
COMPACT 35W GENERAL-PURPOSE LED FLOODLIGHT

PHOTOMETRIC SPECIFICATIONS

ISOCANDELA PLOT



LUMINOUS INTENSITY DISTRIBUTION



Average diffuse angle (50%): **114.3°**

- 1 Violet C0 - C180
- 2 Green C90 - C270
- 3 Orange G3

Unit: cd

FLUX DISTRIBUTION

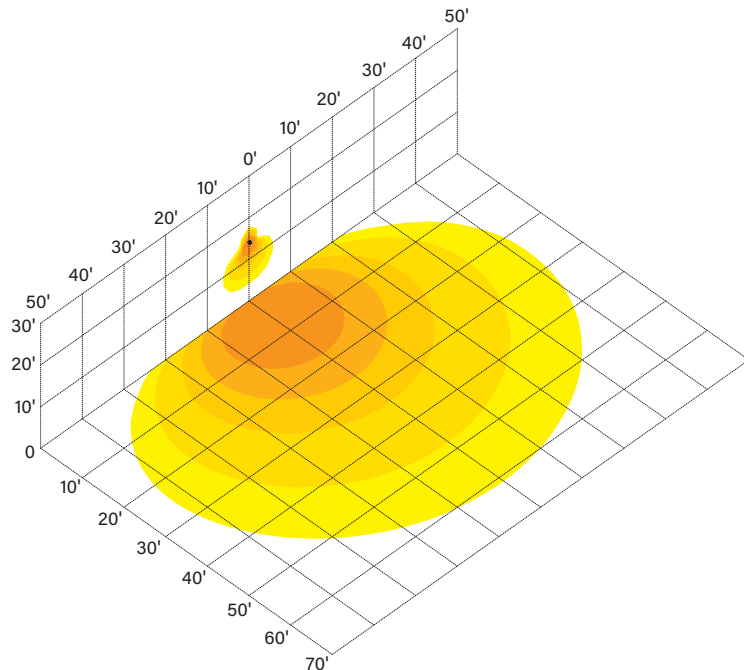
Zone	Lumens	% Luminaire
Forward Light	2,527 lm	53.2%
0°-30°	675 lm	14.2%
30°-60°	1,366 lm	28.8%
60°-80°	471 lm	9.9%
80°-90°	15 lm	0.3%
Back Light	2,181 lm	46.0%
0°-30°	656 lm	13.8%
30°-60°	1,223 lm	25.8%
60°-80°	297 lm	6.3%
80°-90°	5 lm	0.1%
Up Light	39 lm	0.8%
90°-100°	2 lm	0.0%
100°-180°	36 lm	0.8%

BUG* Rating	
Asymmetrical Luminaire Types	
Type I, II, III, IV	B2 U2 G1
Quadrilateral Symmetrical Luminaire Types	
Type V, Area Light	B2 U2 G1

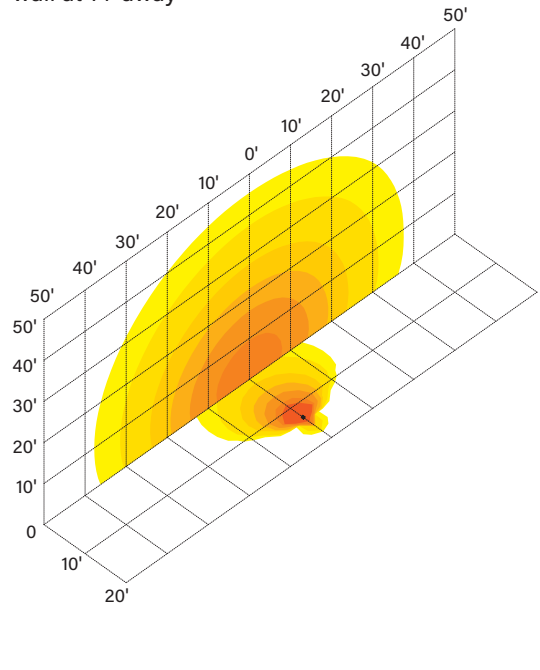
* Backlight, Uplight, Glare

LIGHT DISTRIBUTION PATTERNS (Isometric view from above)

Building exterior mounted at 15',
30° below horizontal



Ground mounted at 6" above ground,
10° above horizontal, shining towards building exterior
wall at 14' away



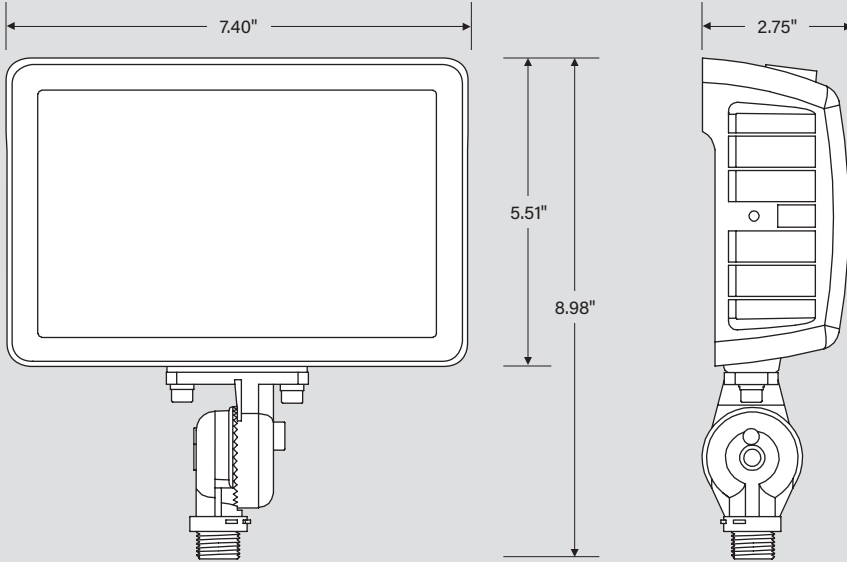


KT-FLED35-R1A-UNV-8CSB-VDIM

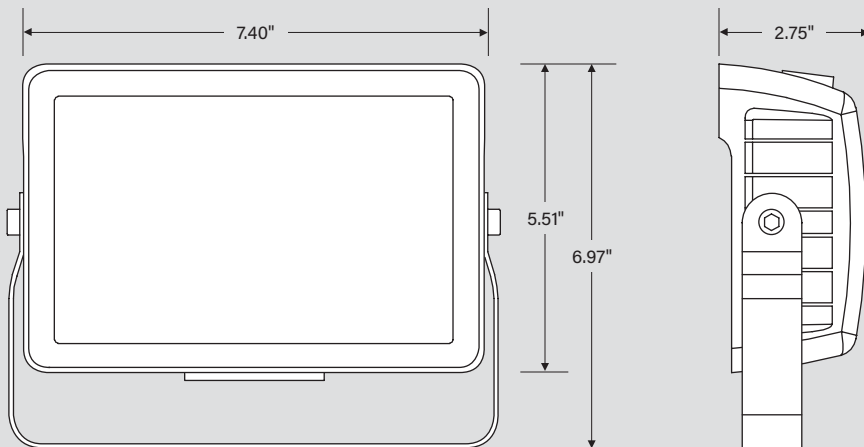
COMPACT 35W GENERAL-PURPOSE LED FLOODLIGHT

PHYSICAL SPECIFICATIONS

KNUCKLE MOUNT



YOKE MOUNT



	EPA
Mounted Vertical	0.34 sq/ft
Mounted Horizontal	0.17 sq/ft
Mounted 45°	0.36 sq/ft

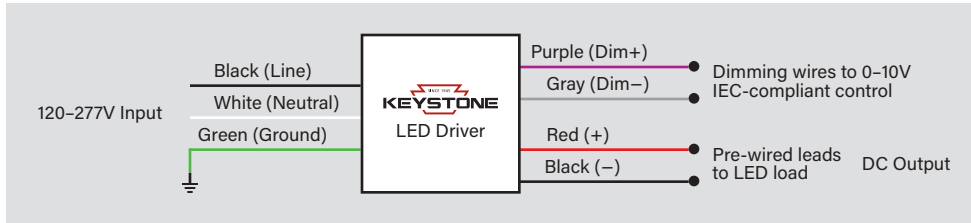


KT-FLED35-R1A-UNV-8CSB-VDIM

COMPACT 35W GENERAL-PURPOSE LED FLOODLIGHT

GENERAL SETUP INSTRUCTIONS

GENERAL WIRING DIAGRAM



Caution: Before installing, make certain that AC power to the fixture is off.

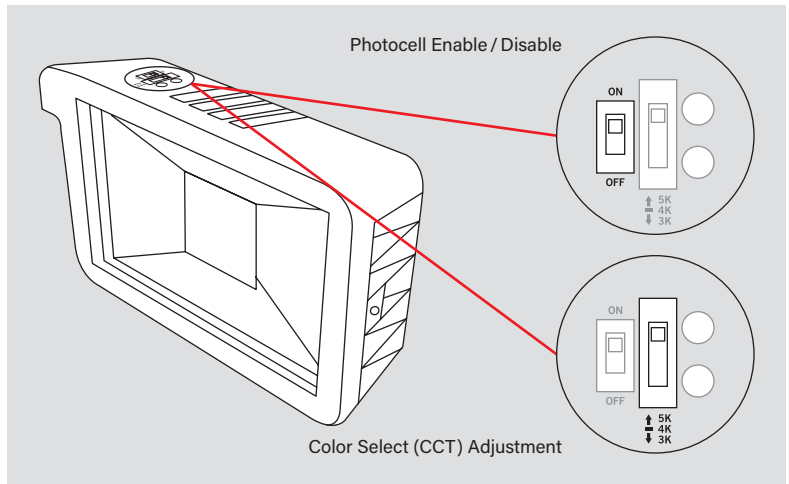
Caution: The electrical rating of this product is 120-277V. Installer must confirm that there is 120-277V at the fixture before installation.

PHOTOCELL ENABLE / DISABLE

This fixture is equipped with a dusk-to-dawn photocell behind the translucent knock-out (KO) cover. Adjust the dip switch to enable (ON) or disable (OFF) the photocell function (see illustrations to the right). Fixture comes pre-set with photocell enabled unless otherwise noted.

COLOR SELECT (CCT) ADJUSTMENT

This fixture is equipped with Color Select technology. There is an adjustable dip switch behind the translucent knock-out (KO) cover to change CCT between 5000K, 4000K, and 3000K (see illustrations to the right). Fixture comes preset at 5000K unless otherwise noted.



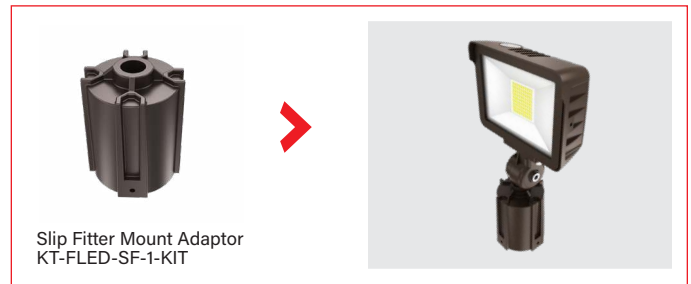
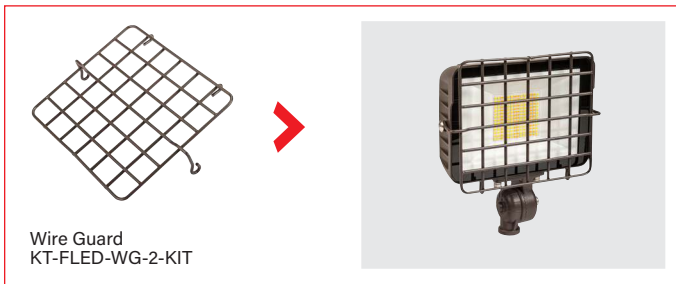
KT-FLED35-R1A-UNV-8CSB-VDIM
COMPACT 35W GENERAL-PURPOSE LED FLOODLIGHT

ACCESSORIES (continued)

MOUNTS AND BRACKETS

Field-Installable (field-installable options must be purchased separately)

✓	SUFFIX*	CATALOG NUMBER	DESCRIPTION	UPC	EASY CODE
	N/A	KT-FLED-SM-1-KIT	Surface Mount / Wall Mount Kit for Series 1 Flood Lights. Fits 15W thru 60W fixtures. Includes Mounting Hardware. Standard Bronze Housing	843654129167	HZJ-35
	N/A	KT-FLED-RC-4	Round Cover Plate for mounting Floodlights on 4" Round boxes. Includes Mounting Hardware. Standard Bronze Color	843654129181	IOI-49
	N/A	KT-FLED-WG-2-KIT	Wire Guard for 35W Rectangular Series 1 LED Floodlight	843654138831	YLC-83
	N/A	KT-FLED-SF-1-KIT	Slip Fitter Mount Adaptor for 15W, 35W, and 60W Rectangular Series 1 LED Floodlight. Bronze	843654153308	TZP-68





KT-FLED35-R1A-UNV-8CSB-VDIM

COMPACT 35W GENERAL-PURPOSE LED FLOODLIGHT

ORDERING INFORMATION

CATALOG NUMBER	PACK QTY.	UPC	EASY CODE	DLC PRODUCT ID
KT-FLED35-R1A-UNV-8CSB-VDIM	1	843654128962	DND-10	PU3Z8U9L S-RMSTEV S-V0API2
KT-FLED35-R1A-UNV-8CSB-VDIM /TAA	1	843654158662	FBR-48	

CATALOG NUMBER BREAKDOWN

KT-FLED35-R1A-UNV-8CSB-VDIM

<p>1 Keystone Technologies</p> <p>2 Fixture Type</p> <p>3 LED Lamp</p> <p>4 Max Wattage</p> <p>5 Shape</p> <p>6 Series Designation</p> <p>7 Distribution</p> <p>8 Mounting</p> <p>9 CRI</p> <p>10 Color</p> <p>11 Color Select Designation</p> <p>12 Dimming</p> <p>13 Housing Color</p> <p>13 TAA Compliant</p>	<p>2 Fixture Type</p> <table border="1" style="width: 100%;"> <tr> <td style="width: 20px;">F</td> <td>Flood</td> </tr> </table> <p>7 Distribution</p> <table border="1" style="width: 100%;"> <tr> <td style="width: 20px;">A</td> <td>NEMA 7H x 7V</td> </tr> </table> <p>10 Color</p> <table border="1" style="width: 100%;"> <tr> <td style="width: 20px;">CS</td> <td>Color Select</td> </tr> </table> <p>12 Dimming</p> <table border="1" style="width: 100%;"> <tr> <td style="width: 20px;">VDIM</td> <td>0-10V</td> </tr> </table>	F	Flood	A	NEMA 7H x 7V	CS	Color Select	VDIM	0-10V	<p>5 Shape</p> <table border="1" style="width: 100%;"> <tr> <td style="width: 20px;">R</td> <td>Rectangular</td> </tr> </table> <p>8 Mounting</p> <table border="1" style="width: 100%;"> <tr> <td style="width: 20px;">UNV</td> <td>Universal</td> </tr> </table> <p>11 Color Select Designation</p> <table border="1" style="width: 100%;"> <tr> <td style="width: 20px;">B</td> <td>3000/4000/5000K</td> </tr> </table> <p>13 Housing Color</p> <table border="1" style="width: 100%;"> <tr> <td style="width: 20px;"></td> <td>Bronze</td> </tr> <tr> <td style="width: 20px;">W</td> <td>White</td> </tr> </table>	R	Rectangular	UNV	Universal	B	3000/4000/5000K		Bronze	W	White	<p>6 Series Designation</p> <table border="1" style="width: 100%;"> <tr> <td style="width: 20px;">1</td> <td>General Purpose Floodlight</td> </tr> </table> <p>9 CRI</p> <table border="1" style="width: 100%;"> <tr> <td style="width: 20px;">8</td> <td>>80</td> </tr> </table> <p>14 TAA Compliant</p> <table border="1" style="width: 100%;"> <tr> <td style="width: 20px;">/TAA</td> <td>Made in Mexico</td> </tr> </table>	1	General Purpose Floodlight	8	>80	/TAA	Made in Mexico
F	Flood																										
A	NEMA 7H x 7V																										
CS	Color Select																										
VDIM	0-10V																										
R	Rectangular																										
UNV	Universal																										
B	3000/4000/5000K																										
	Bronze																										
W	White																										
1	General Purpose Floodlight																										
8	>80																										
/TAA	Made in Mexico																										

**Note: Special order housing color options have extended lead times.*