



KTEB-270-UV-PS-N /C1

T8 ELECTRONIC FREEZER BALLAST



DESCRIPTION

2 x F70T8 | 120-277 Multi-Voltage | High Power Factor | Program Start | With Molex Wire Connectors

STARTING METHOD: Program Start
LAMP CONNECTION: Series
INPUT VOLTAGE: 120-277Vac ±10%
INPUT FREQUENCY: 50/60 Hz
POWER FACTOR: High
WARRANTY: 5 Years



PRODUCT FEATURES

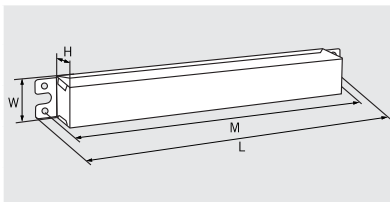
- Sound Rated: A
- Minimum Starting Temperature: -20°F, -30°C
- Maximum Case Temperature: 194°F, 90°C
- Meets FCC Part 18 (Class A) Non-Consumer Limits
- Meets ANSI Standard C82.11 and C62.41
- OCV: 300V
- UL, cUL Listed Class P, Type 1 Outdoor
- Type HL, Type CC

ELECTRICAL SPECIFICATIONS

Lamp Type	No. of Lamps	Input Volts	Input Watts	Nominal Line Amps	Power Factor	Ballast Factor	Ballast Efficacy Factor	Max. THD	Crest Factor
F70T8	2	120V	139W	1.16A	>0.90	0.95	0.68	<10%	<1.70
		277V	135W	0.50A	>0.90	0.95	0.70	<12%	<1.70
	1	120V	74W	0.62A	>0.90	1.08	1.46	<10%	<1.70
		277V	73W	0.28A	>0.90	1.08	1.46	<15%	<1.70
F58T8	2	120V	129W	1.08A	>0.90	1.07	0.83	<10%	<1.70
		277V	126W	0.47A	>0.90	1.07	0.85	<12%	<1.70
	1	120V	66W	0.55A	>0.90	1.17	1.79	<10%	<1.70
		277V	65W	0.26A	>0.90	1.17	1.79	<15%	<1.70
F36T8	2	120V	107W	0.89A	>0.90	1.50	1.40	<10%	<1.70
		277V	105W	0.39A	>0.90	1.50	1.40	<12%	<1.70

PHYSICAL SPECIFICATIONS

CASE DIMENSIONS



LENGTH	9.75"
WIDTH	1.56"
HEIGHT	1.10"
MOUNTING	9.25"
CASE STYLE	L36

STANDARD LEAD LENGTHS*

BLACK	25"
WHITE	25"
ORANGE	20"
BROWN	20"
BLUE	20"
RED	20"
YELLOW	20"

Lead wires are 18 AWG 105 C/600V, solid copper.

CASE MATERIAL: Steel

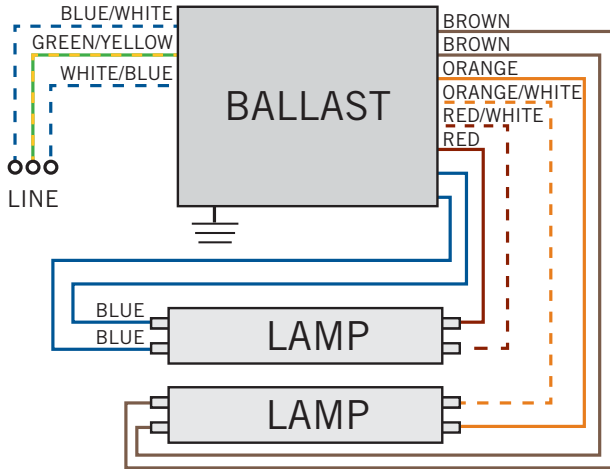
*Consult Keystone for special lead length requirements.



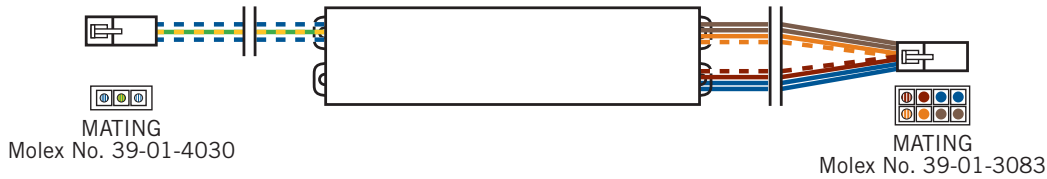
KTEB-270-UV-PS-N /C1

T8 ELECTRONIC FREEZER BALLAST

WIRING DIAGRAM



FOR 1 LAMP OPERATION, CONNECT BLUE LEADS TO ONE SIDE OF THE LAMP AND BROWN LEADS TO THE OTHER SIDE.



ORDERING INFORMATION

ORDER CODE	PACKAGING STYLE	PACK QTY.	ITEM STATUS
KTEB-270-UV-PS-N /C1-CP	Carton Pack	10	Active

CATALOG NUMBER BREAKDOWN

KTEB-270-UV-PS-N /C1-CP

