



# KT-TFLED100PS-850

## TEMPORARY LED WORK LIGHT

### INSTALLATION INSTRUCTIONS

**PLEASE FIND A QUALIFIED ELECTRICIAN FOR INSTALLATION. Please read the instructions before installation and use.**

**WARNING**

- To reduce the risk of death, personal injury or property damage from fire, electric shock, failing parts, cuts/abrasions, and other hazards, read all warnings and instructions with and on the fixture box and all fixture labels.
- Before installing, servicing, or performing routine maintenance upon this equipment, follow these general precautions.
- Commercial installation, service, and maintenance of luminaires should be performed by a qualified, licensed electrician.
- For the installation: If you are unsure about the installation or maintenance of the fixture, consult a qualified, licensed electrician and check your local electrical code.
- Linkable end-to-end: Total of 5A max load linked together parallel; self-recovery fuse in case of overload conditions.  
DO NOT CONNECT anything other than additional temporary LED work lights together.
- This device is not intended for use with emergency exits.
- This product should not be installed in hot, sealed environments or in areas near corrosive gases

**WARNING**

- Turn off the power when you perform any maintenance.
- Verify that supply voltage is correct by comparing it with the luminaire label information.

**CAUTION**

- Avoid direct eye exposure to the light source while it is on.
- Account for small parts and destroy packing material, as these may be hazardous to children.
- Risk of burn. Disconnect power and allow fixture to cool before handling fixture.

**NOTES**

- Specifications and dimensions subject to change without notice.
- Suitable for dry or damp locations.



**PERFORMANCE SPECIFICATIONS**

Catalog Number	Input Voltage	CCT	Selectable Power	Lumens	Efficacy	Maximum Lamps in String	Rated Life	CRI	Power Factor
KT-TFLED100PS-850	120Vac	5000K	100W	11,000	110 lm/W	6 lamps	50,000 hrs	>80	>0.9
			80W	8,800		7 lamps			
			60W	6,600		10 lamps			

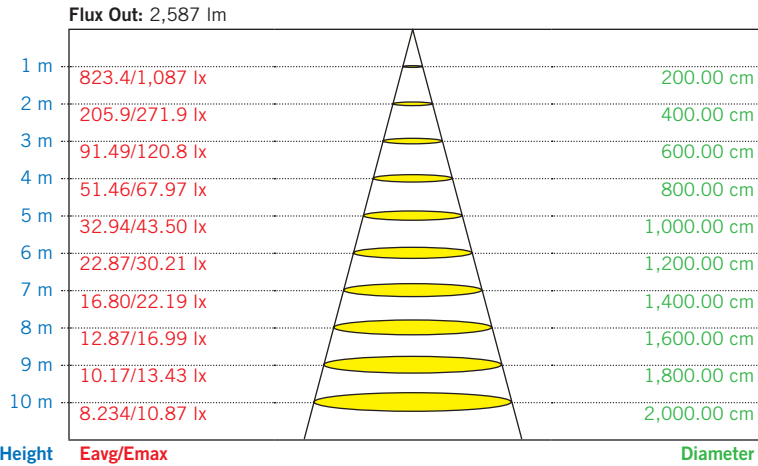


# KT-TFLED100PS-850

## TEMPORARY LED WORK LIGHT

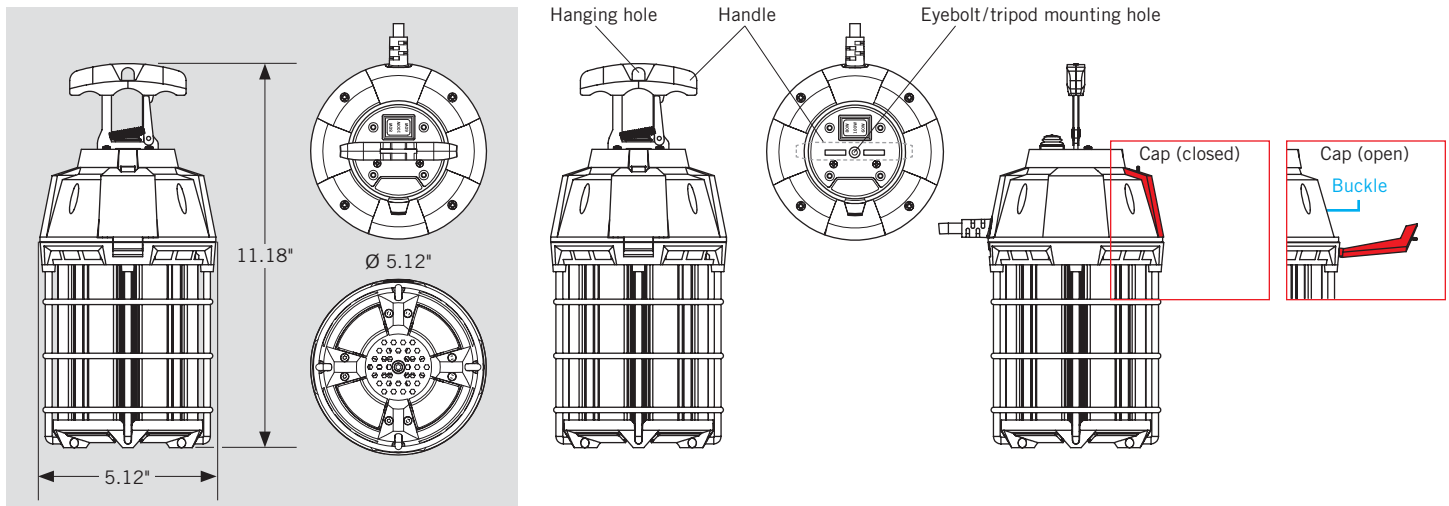
### PHOTOMETRIC SPECIFICATIONS

#### LUX DISTANCE CURVE



Curves show illuminated area and average illumination when lamp is at various distances.

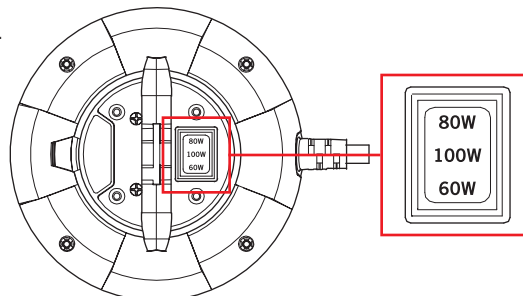
### PHYSICAL SPECIFICATIONS



### POWER SELECT (WATTAGE) ADJUSTMENT

This fixture is equipped with Power Select technology.

1. Ensure power is off to the fixture.
2. Adjust dip switch to desired setting.



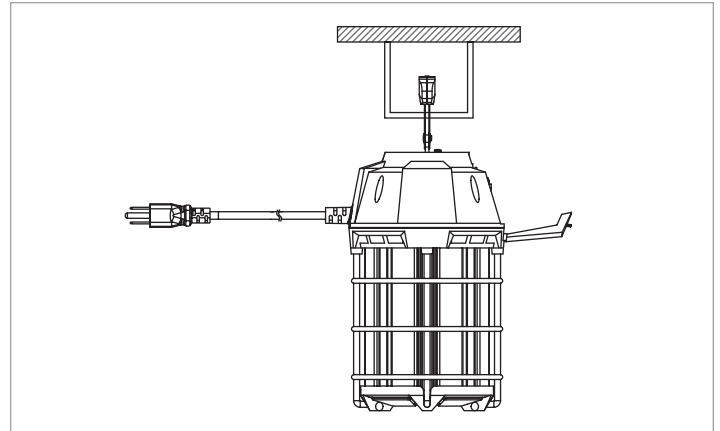
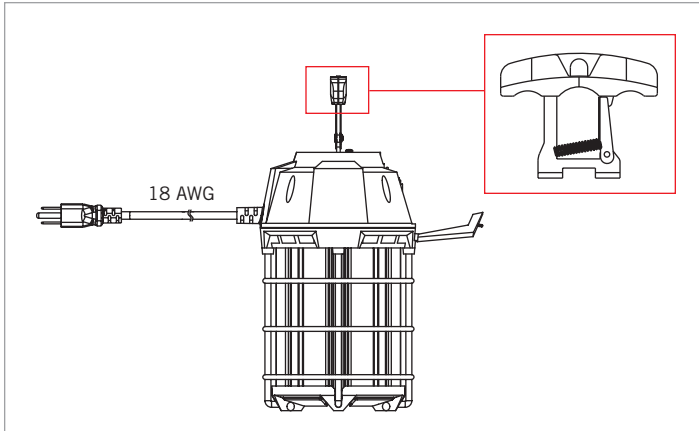
#### POWER SELECT ADJUSTMENT

Set dip switch to adjust wattage between 100W, 80W, and 60W. Fixture comes preset at 100W.

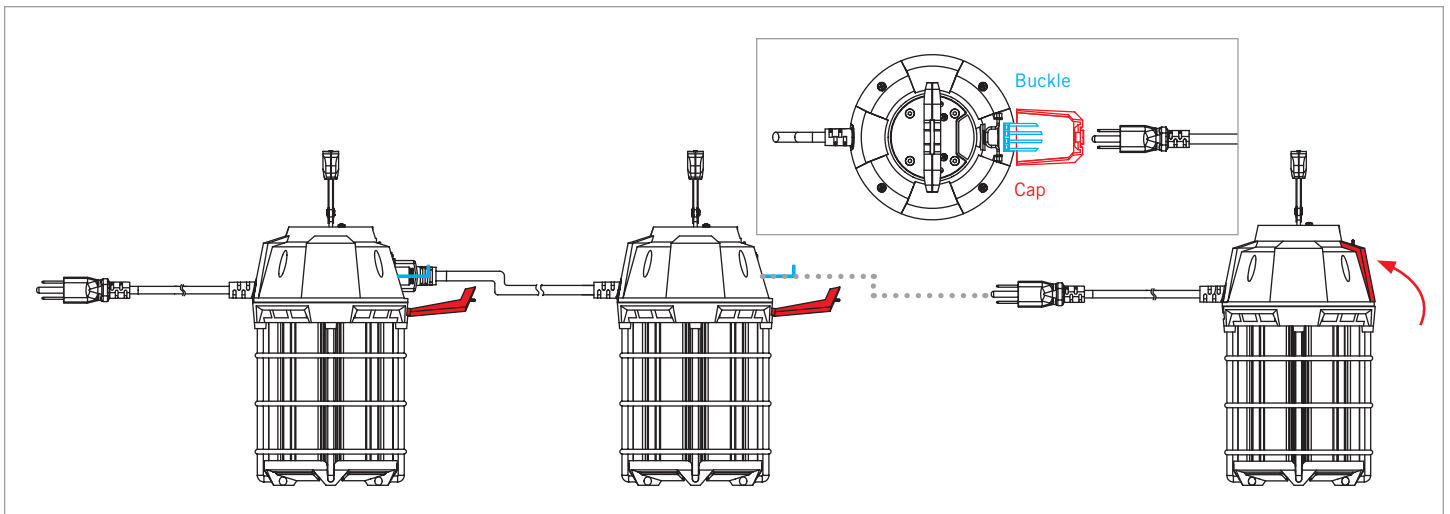
## KT-TFLED100PS-850 TEMPORARY LED WORK LIGHT

### FIXTURE INSTALLATION INSTRUCTIONS

1. Ensure power is off to the fixture.
2. Hang lamp from the base hook to a fixed wall or object, ensuring that the fixed wall or object will safely support 66 lbs.



3. Use the plugs and sockets to connect two or more lamps (total 5A max for parallel connection), rotating buckles 90° to ensure secure lamp connections. *Note:* The standard cable length is 6 ft; purchase additional cable if greater length is required.
4. Close the cap for the last lamp in the series.



5. Re-connect power when ready.

### ORDERING INFORMATION

ORDER CODE	PACK QTY.	UPC	Easy Code
KT-TLED100PS-850	4	843654133980	FKS-18