



KTLD-12-1-XXX-FDIM-F5

CONSTANT CURRENT LED DRIVER

DESCRIPTION

LED Driver | 12W | 120V Input | 220-700mA Output



TOTAL POWER: 12W	LOCATION TYPE: IP20 design for dry and damp loaction
INPUT VOLTAGE: 120Vac ±10%	OUTPUT CURRENT: 220-700mA
INPUT FREQUENCY: 60 Hz	DIMMING: Leading/trailing edge dimming
NUMBER OF OUTPUTS: One	WARRANTY: 5 Years
SAFTEY COMPLIANCE: UL 8750	

ELECTRICAL SPECIFICATIONS

Input Voltage Range	120Vac ± 10%
Frequency	60 Hz
Power Factor	> 0.9 under 120Vac input with 80~100% Load Condition (for all output voltage)
Inrush Current	20A @120V
Max. Input Current	0.14A @120V
THD	< 20% under 120Vac input with 80~100% Load Condition (for all output voltage)
Load Regulation	± 2%
Line Regulation	± 1%
Voltage Tolerance	± 5% at full load condition
Turn-On Delay Time	< 0.75s at full load condition
Overshoot	< 10% at full load condition
No Load Power Consumption	< 1W
Withstand Voltage	Input to output, 2,800Vdc, 2mA
Leakage Current	Maximum 0.5mA at 120Vac, 60Hz input
Protection	<ul style="list-style-type: none"> • Over Voltage Protection: Hiccup mode. Protection will trigger when load voltage exceeds specified output voltage and will auto recover after the fault mode is removed. • Over Current Protection: Hiccup mode. Protection will trigger when load current exceeds specified output current and will auto recover after the fault mode is removed. • Short Circuit Protection: Hiccup mode. Protection will trigger when short circuited and will auto recover after the fault mod is removed.

PRODUCT SPECIFICATIONS

Catalog Number	Max. Output Power	Output Current	Output Voltage	OCV	Typical Efficiency at 120V	Remote Mounting Distance (#18 AWG)	Class 2	
							US	Canada
KTLD-12-1-220-FDIM-F5	12W	220mA	27-54V	60V	81%	169 ft	✓	
KTLD-12-1-300-FDIM-F5	12W	300mA	20-40V	46V	81%	128 ft	✓	✓
KTLD-12-1-330-FDIM-F5	12W	330mA	18-37V	42V	80%	116 ft	✓	✓
KTLD-12-1-350-FDIM-F5	12W	350mA	17-34V	39V	80%	109 ft	✓	✓
KTLD-12-1-400-FDIM-F5	12W	400mA	15-30V	32V	79%	69 ft	✓	✓
KTLD-12-1-450-FDIM-F5	12W	450mA	13-27V	30V	79%	73 ft	✓	✓
KTLD-12-1-500-FDIM-F5	12W	500mA	12-24V	28V	79%	76 ft	✓	✓
KTLD-12-1-600-FDIM-F5	12W	600mA	10-20V	24V	79%	64 ft	✓	✓
KTLD-12-1-700-FDIM-F5	12W	700mA	8-17V	21V	79%	54 ft	✓	✓

ENVIRONMENTAL SPECIFICATIONS

Operating Temperature	-40°C/-40°F to 60°C/140°F
Storage Temperature	-40°C/-40°F to 85°C/185°F
Humidity	5% to 95%
MTBF	570,000 hours at 40°C/104°F ambient (~70°C/~158°C case temp)
Life Rating	80,000 hours at 120Vac input, 100% load and 60°C/140°F case temperature
Maximum Case Temperature	90°C/194°F

SAFETY AND EMC COMPLIANCE

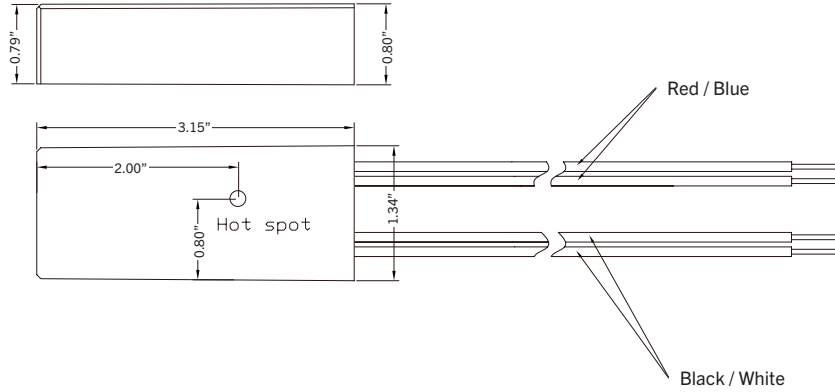
UL/cUL	UL 8750, Type HL
CE	EN61347-1, EN61347-2-13
FCC, 47CFR Part 15	ANSI C63.4:2009 Class B (consumer limit)
EN61000-3-2	Harmonic Current Emissions Class C



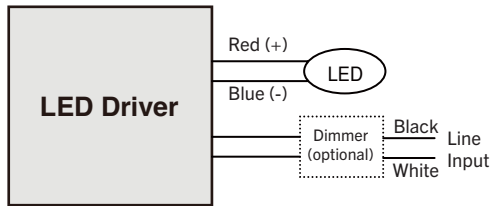
KTLD-12-1-XXX-FDIM-F5

CONSTANT CURRENT LED DRIVER

PHYSICAL SPECIFICATIONS



WIRING DIAGRAM



WIRING SPECIFICATIONS

INPUT	12", UL 1316 #18AWG (black and white)
OUTPUT	12", UL 1316 #18AWG (red and blue)
DIMMING	12", UL 1316 #18AWG (yellow and yellow)

ORDERING INFORMATION

ORDER CODE	PACKAGING STYLE	PACK QTY.	ITEM STATUS
KTLD-12-1-XXX-FDIM-F5	Carton Pack	160	Quick Ship

CATALOG NUMBER BREAKDOWN

KTLD-12-1-XXX-FDIM-F5

1
2
3
4
5
6

- 1** Keystone Technologies LED Driver
- 2** Max. Output Wattage
- 3** 120V Input
- 4** Output Current
- 5** Forward Phase Dimming
- 6** Case Style