



KT-FLED25PS-C1E-UNV-8CSB-VDIM-X

LED BULLET FLOODLIGHT

INSTALLATION INSTRUCTIONS

PLEASE FIND A QUALIFIED ELECTRICIAN FOR INSTALLATION. Please read the instructions before installation and use.

WARNING

- Before installing, servicing, or performing routine maintenance upon this equipment, follow these general precautions.
- Risk of fire or electric shock. LED retrofit kit installation requires knowledge of luminaire electrical systems.
- If not qualified, do not attempt installation; contact a qualified electrician.
- Risk of fire or electric shock. Install this kit only in luminaires that have the construction features and dimensions shown in the photographs and/or drawings and where the input rating of the retrofit kit does not exceed the input rating of the luminaire.
- To reduce the risk of death, personal injury or property damage from fire, electric shock, failing parts, cuts/abrasions, and other hazards, read all warnings and instructions with and on the fixture box and all fixture labels.
- To prevent wiring damage or abrasion, do not expose wiring to edges of sheet metal or other sharp objects.
- Do not make or alter any open holes in an enclosure of wiring or electrical components during kit installation.

WARNING

- Turn off electrical power at fuse or circuit breaker box before wiring fixture to the power supply.
- Turn off the power when you perform any maintenance.
- Verify that supply voltage is correct by comparing it with the luminaire label information.

CAUTION

- Avoid direct eye exposure to the light source while it is on.
- Account for small parts and destroy packing material, as these may be hazardous to children.
- Risk of burn. Disconnect power and allow fixture to cool before changing bulb or handling fixture.

NOTES

- Specifications and dimensions subject to change without notice.
- Suitable for wet locations.

NOTE

This equipment has been tested and found to comply with the limits for a Class B digital device, pursuant to Part 15 of the FCC Rules. These limits are designed to provide reasonable protection against harmful interference in a residential installation. This equipment generates, uses and can radiate radio interference energy and, if not installed and used in accordance with the instructions, may cause harmful interference to radio communications. However, there is no guarantee that interference will not occur in a particular installation. If this equipment does cause harmful interference to radio or television reception, which can be determined by turning the equipment off and on, the user is encouraged to try to correct the interference by one or more of the following measures:

- Reorient or relocate the receiving antenna.
- Increase the separation between the equipment and receiver.
- Connect the equipment into an outlet on a circuit different from that to which the receiver is connected.
- Consult the dealer or an experienced radio/TV technician for help.

NOTE

- NEMA 4H x 4V and 3H x 3V Blue, Green, or Red Lens Kit available. Sold Separately.

Caution: Before installing, make certain that AC power to the fixture is off.

Caution: The electrical rating of this product is 120–277V. Installer must confirm that there is 120–277V at the fixture before installation.

COMPONENTS INCLUDED IN KIT

Part	Quantity
LED Bullet Floodlight	1
4H x 4V Optics Lens (<i>pre-installed</i>)	1
3H x 3V Optics Lens	1
Lens Screws	4
Lens Wrench Tool	1
Knuckle Mount	1
Hex Nut	1
Instruction Sheet	1



KT-FLED25PS-C1E-UNV-8CSB-VDIM



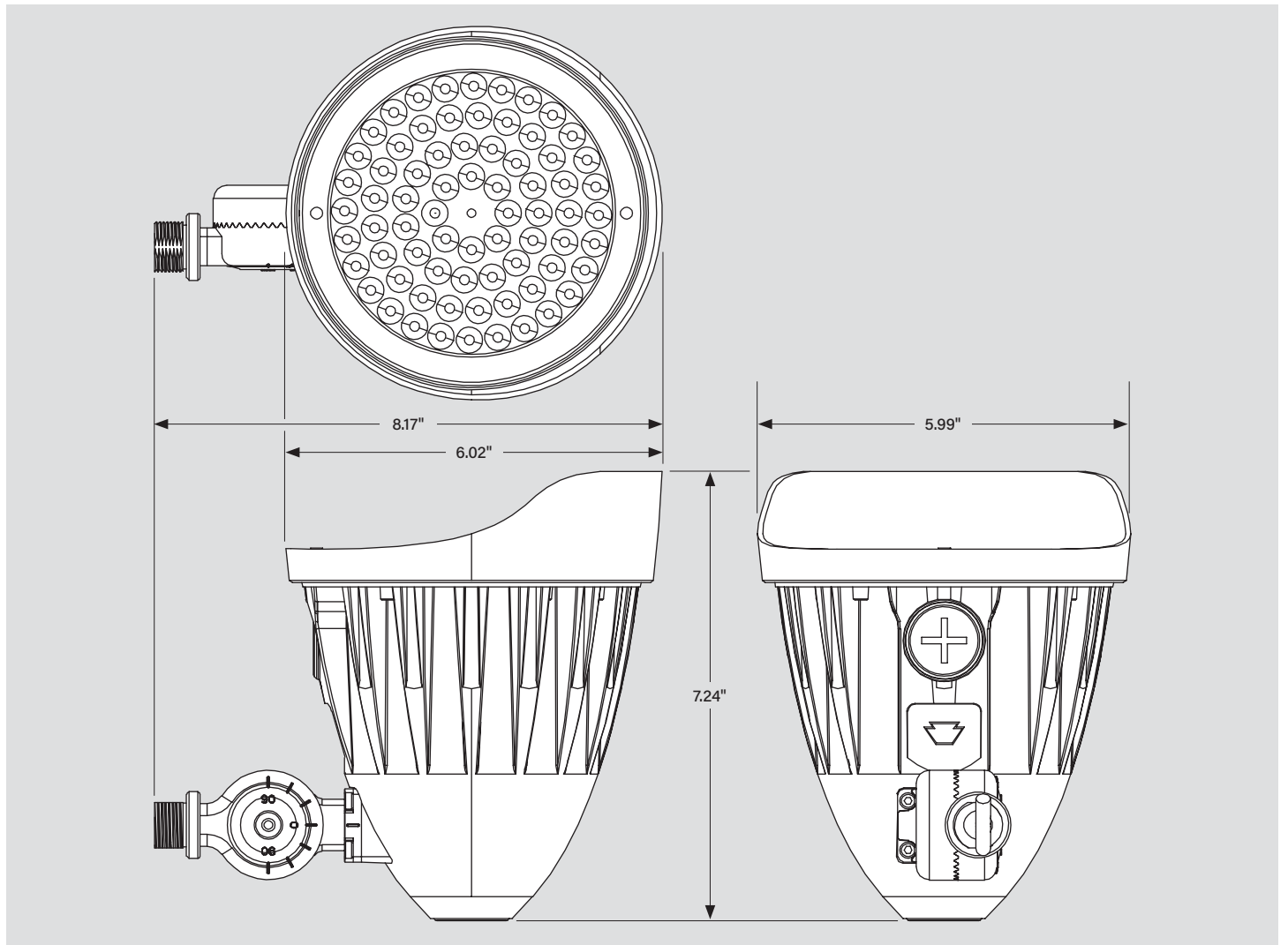
KT-FLED25PS-C1E-UNV-8CSB-VDIM-W

ELECTRICAL SPECIFICATIONS

Catalog Number	Input Voltage	Selectable Wattage	Selectable CCT*	Lumens	Efficacy	Dimming	CRI	Housing Color	Mounting	Lens	Photocell
KT-FLED25PS-C1E-UNV-8CSB-VDIM	120-277V	25W	3000K	2971	119 lm/W	0-10V	80	Bronze	Pre-installed Built-In Knuckle Mount	Pre-installed 4H x 4V Optics Lens	Built-In
			4000K	3292	132 lm/W						
			5000K	3273	131 lm/W						
		20W	3000K	2398	120 lm/W						
			4000K	2609	130 lm/W						
			5000K	2580	129 lm/W						
		15W	3000K	1862	124 lm/W						
			4000K	1998	133 lm/W						
			5000K	1986	132 lm/W						
KT-FLED25PS-C1E-UNV-8CSB-VDIM-W	120-277V	25W	3000K	2971	119 lm/W	0-10V	80	White	Pre-installed Built-In Knuckle Mount	Built-In 4H x 4V Optics Lens	Built-In
			4000K	3292	132 lm/W						
			5000K	3273	131 lm/W						
		20W	3000K	2398	120 lm/W						
			4000K	2609	130 lm/W						
			5000K	2580	129 lm/W						
		15W	3000K	1862	124 lm/W						
			4000K	1998	133 lm/W						
			5000K	1986	132 lm/W						

* Color Uniformity: CCT (Correlated Color Temperature) range as per guidelines outlined in ANSI C78.377-2017

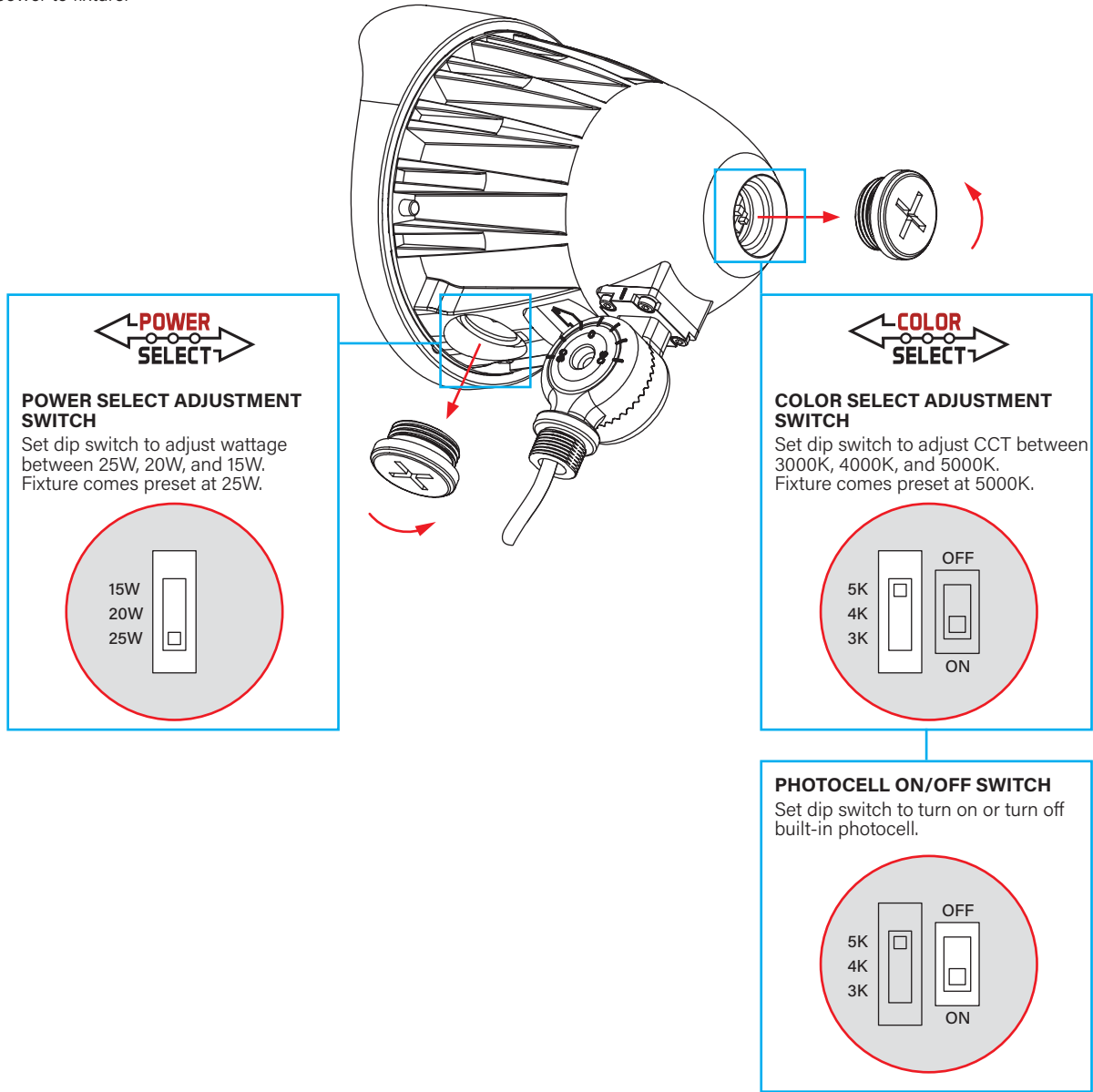
DIMENSIONS



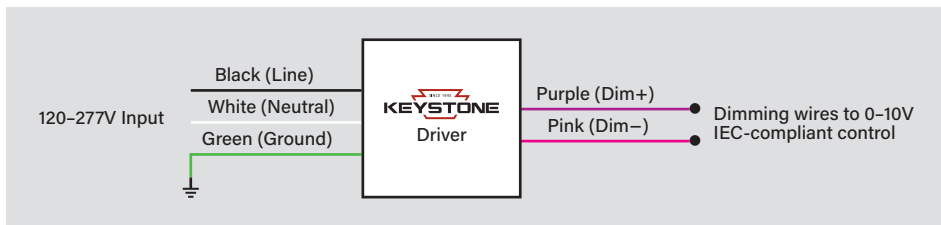
POWER SELECT (WATTAGE) AND COLOR SELECT (CCT) ADJUSTMENT

This fixture is equipped with field-adjustable Keystone Power Select and Color Select technology.

1. Ensure power is off to the fixture.
2. Remove knockouts.
3. Adjust dip switches to desired settings.
4. Replace knockouts.
5. Restore power to fixture.



GENERAL WIRING DIAGRAM



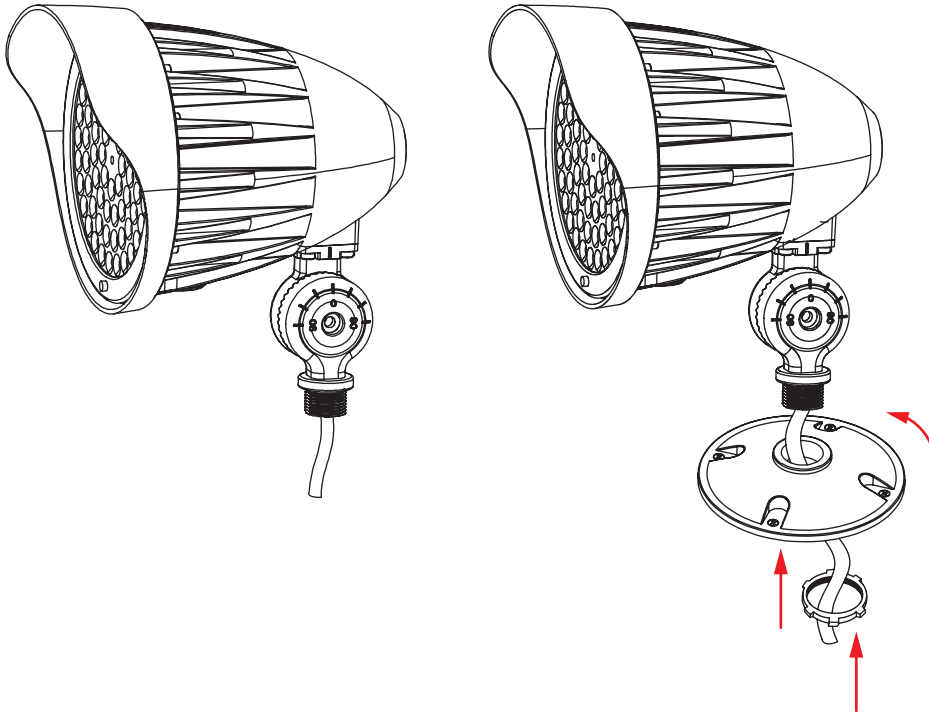
INSTALLATION INSTRUCTIONS

- 1. Shut off power at the source of the fixture housing into which you are installing fixture.**

Unpack the bullet floodlight and inspect for damage.

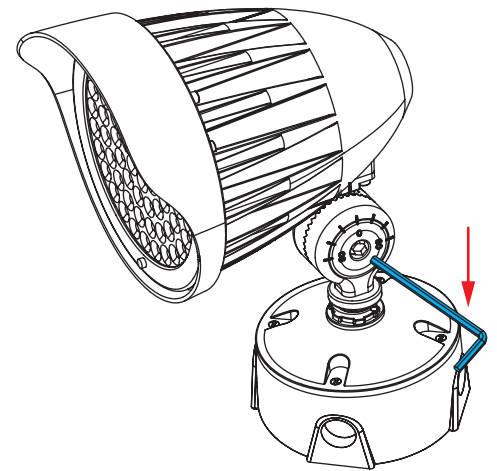
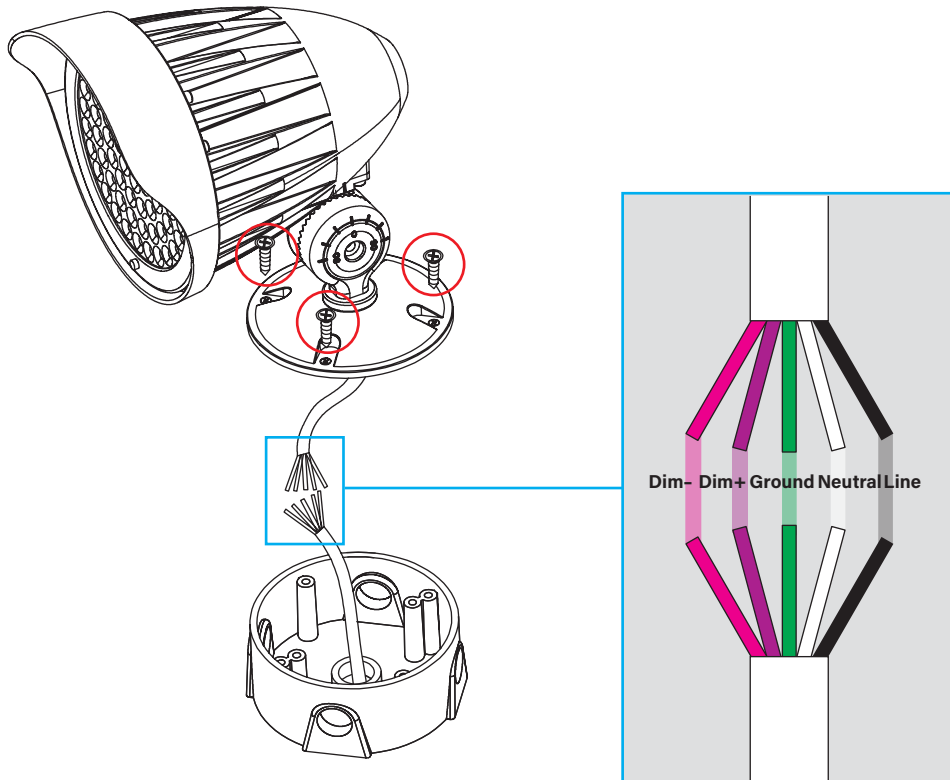
- 2. Insert the 1/2" NPT knuckle into the cover plate (not provided).**

Face the fixture in the preferred direction and use the hex nut (provided) to secure fixture.



- 3. Connect the fixture input wires per the wiring diagram below and on page 3, ensure that all connectors are secure, then lock the junction box with the screws (not provided).**

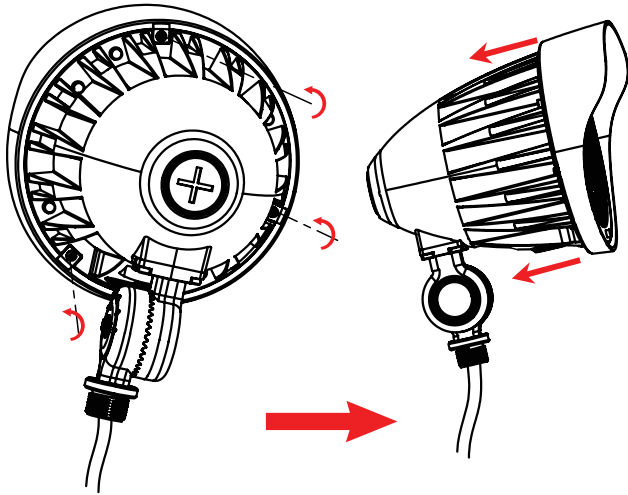
- 4. Loosen the screw and adjust the fixture to desired angle, then re-tighten the screw.**
Turn on power when ready.



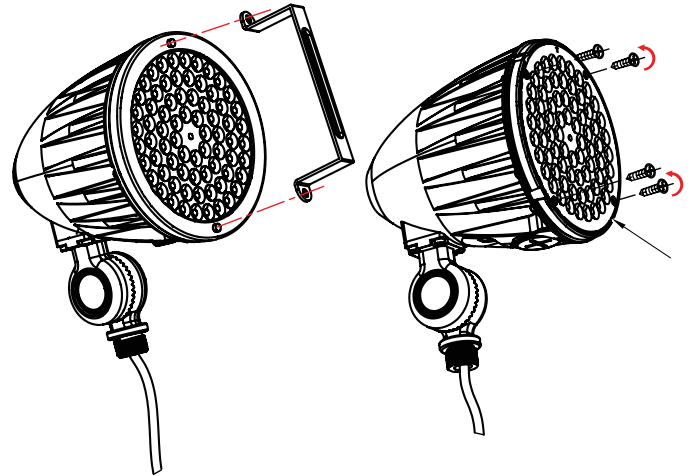
LENS REPLACEMENT INSTRUCTIONS

Note: Lens must be changed before installation.

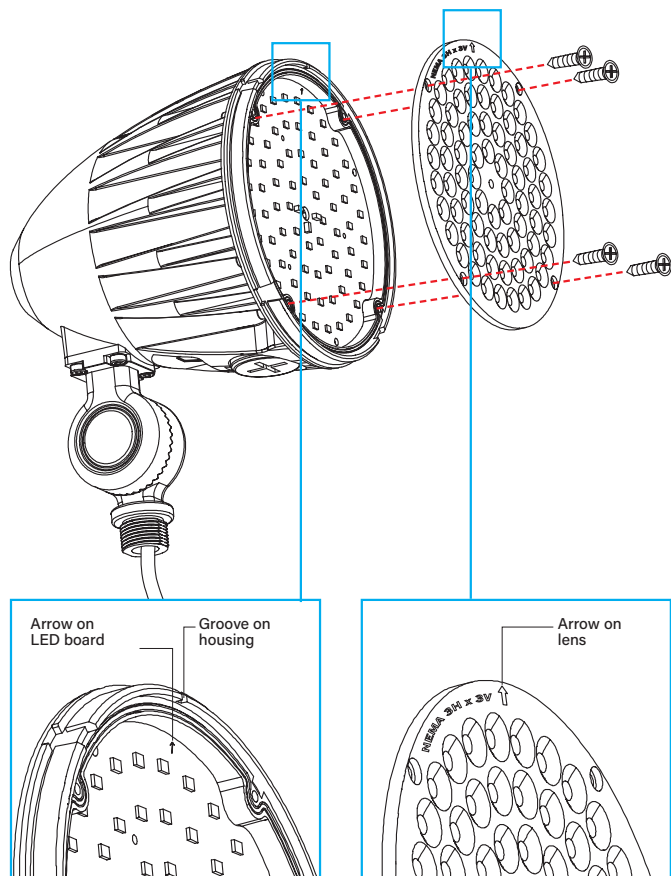
1. Take out the 3 reflector screws, and remove reflector from the housing.



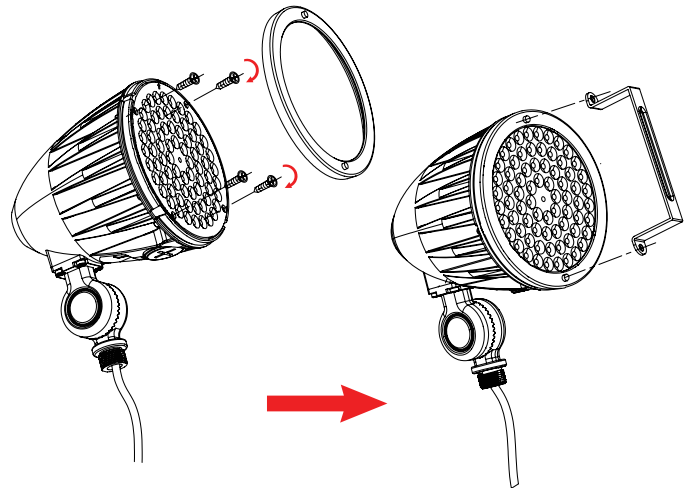
2. Remove the twist on/twist off cap using the wrench tool (provided).



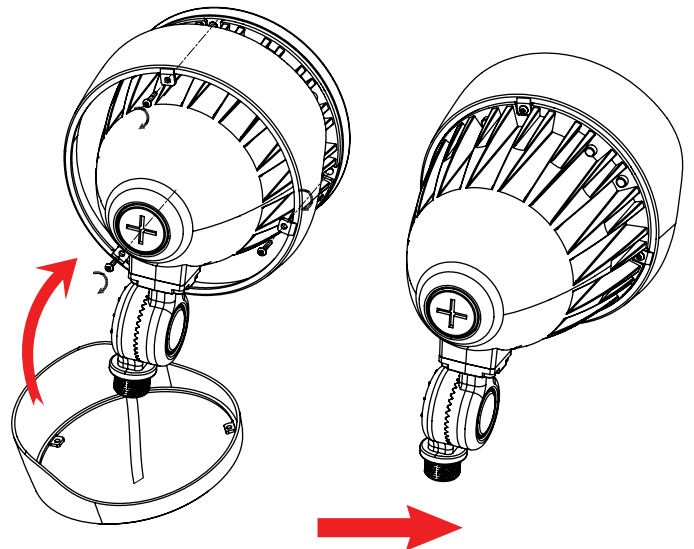
3. Remove screws from the lens and install the NEMA 3H X 3V replacement lens (provided), aligning arrow on lens with arrow on LED board and groove on housing.



4. Insert and tighten the 4 screws from the lens, twist on the cap, then lock the cap in place with the wrench tool (provided).



5. Feed the reflector through the back side of the fixture, and tighten the 3 reflector screws.



ACCESSORIES ORDERING INFORMATION

Catalog Number	UPC	Easy Code
KT-FLED-LENS-C1-BLUE-KIT	843654157535	PVI-60
KT-FLED-LENS-C1-GREEN-KIT	843654157542	RJR-89
KT-FLED-LENS-C1-RED-KIT	843654157559	GLV-80



LED BULLET FLOODLIGHT ORDERING INFORMATION

Catalog Number	Pack Qty.	UPC	Easy Code
KT-FLED25PS-C1E-UNV-8CSB-VDIM	1	843654141886	HYH-58
KT-FLED25PS-C1E-UNV-8CSB-VDIM-W	1	843654141893	NCD-13