



KT-LED14.5T8-48G-8XX-DX2 /G2

T8 LED LAMP

DESCRIPTION

14.5W T8 LED | 3000-6500K | >82 CRI | High Efficiency | Single or Double-ended Wiring



LAMP TYPE: Linear
BULB TYPE: T8 LED
BASE TYPE: G13 (Medium Bi-Pin)
WATTAGE: 14.5W
COLOR TEMPERATURE: 3000-6500K
COLOR RENDERING INDEX (CRI): >82
WARRANTY: 10 Years



PRODUCT FEATURES

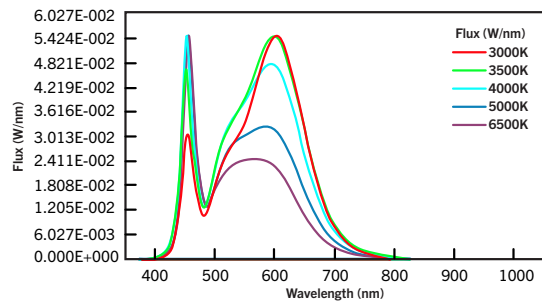
- Replacement for Conventional Fluorescent Lamp
- Single or Double-Ended Wiring
- 50,000+ Hour Lifetime
- Approximately 40% More Energy Efficient than Standard F32T8 Lamps
- Environmentally Friendly: No Mercury Used
- Instant Startup
- NSF listed: NSF/ANSI Standard 2: Food equipment, splash zone (component level—not for direct food zone without additional fixture considerations)
- DLC Listed
- Frosted Glass Lens Eliminates Pixelation
- UL Classified
- Operating Temperature: -20°C/-4°F to 45°C/113°F
- Storage Temperature: -40°C/-40°F to 70°C/158°F
- Operating Humidity: 35-80%
- THD 20%
- Integral Driver (Isolated), Eliminates the Need for External Driver or Ballast
- 125+ Lumens per Watt
- Meets FCC Part 15, Class B
- Compatible with Keystone AC Emergency Drivers: KT-EMRG-LED-5-500-AC, KT-EMRG-LED-5-500-AC/DF, KT-EMRG-LED-12-1200-AC, or KT-EMRG-LED-12-1200-AC /DF
- Lamp is dimmable when used with an appropriate dimming accessory (purchased separately). Contact Keystone for more details to find out what is best for the intended application.

PERFORMANCE SPECIFICATIONS

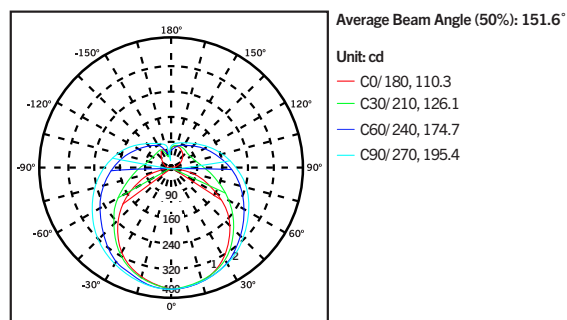
CATALOG NUMBER	INPUT VOLTAGE	WATTAGE	CCT	LUMEN OUTPUT	EFFICACY	CRI	BEAM ANGLE	VISIBLE LIGHT AREA	POWER FACTOR	INPUT CURRENT
KT-LED14.5T8-48G-830-DX2 /G2	120-277V 60Hz	15W	3000K	1,900	127 lm/W	> 80.0	240	325	> 0.9	125mA @120V, 53mA @277V
KT-LED14.5T8-48G-835-DX2 /G2			3500K	1,900	127 lm/W					
KT-LED14.5T8-48G-840-DX2 /G2			4000K	2,000	133 lm/W					
KT-LED14.5T8-48G-850-DX2 /G2			5000K	2,000	133 lm/W					
KT-LED14.5T8-48G-865-DX2 /G2			6500K	2,000	133 lm/W					

PHOTOMETRIC SPECIFICATIONS

SPECTRAL DISTRIBUTION



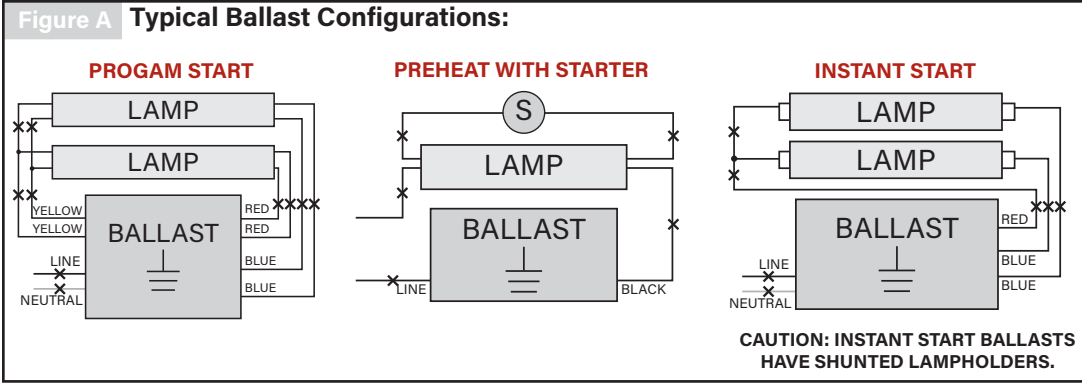
POLAR CANDELA DISTRIBUTION



KT-LED14.5T8-48G-8XX-DX2 /G2
T8 LED LAMP

SINGLE-ENDED WIRING DIAGRAM

1. Cut all existing connections to ballast as shown below and remove ballast. See Figure A for typical ballast configurations. **Note: Single-ended wiring requires non-shunted lampholders.**



Typical Non-Shunted Lampholder

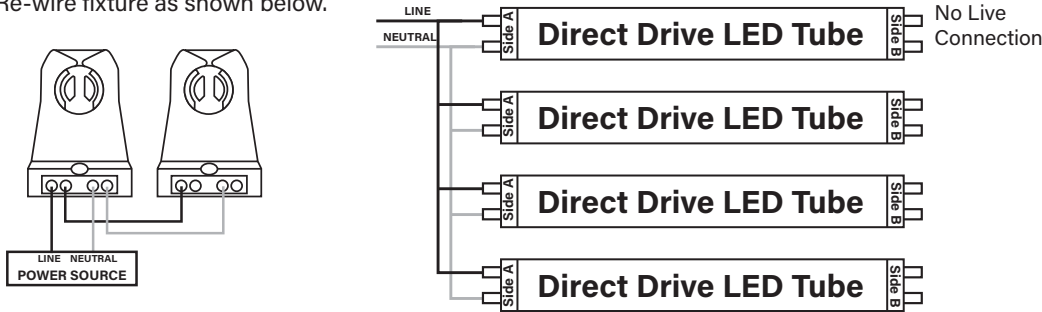
Connect wires directly to these terminals

CAUTION: For Single-ended wiring use only non-shunted lampholders.

For Single-ended wiring, do not install product in a fixture with shunted lampholders (found in all fixtures using instant start ballasts). If the current lampholders are shunted, remove them and replace them with non-shunted lampholders. Make new connections directly to terminals as indicated above.

Keystone can provide any style replacement lampholders.
Call us at 800-464-2680.

2. Re-wire fixture as shown below.

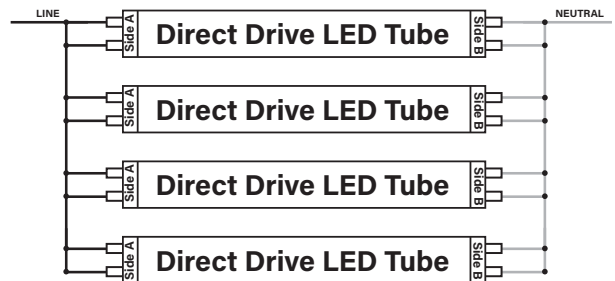
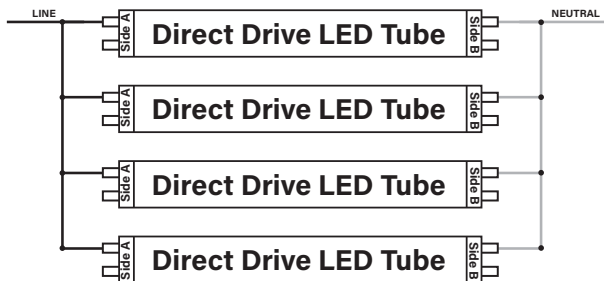


DOUBLE-ENDED WIRING DIAGRAM

1. Cut all existing connections to ballast as shown below and remove ballast. See Figure A above for typical ballast configurations.
2. Re-wire fixture as shown below. For Double-ended wiring, use either shunted or nonshunted lampholders. **Note: There should not be any exposed wires at the end of installation.**

Shunted Lampholders

Nonshunted Lampholders





DIRECT DRIVE DX2
SINGLE- OR DOUBLE-ENDED LINE VOLTAGE LED TUBES

KT-LED14.5T8-48G-8XX-DX2 /G2

T8 LED LAMP

PHYSICAL SPECIFICATIONS

LAMP DIMENSIONS

	A (Illuminated Length)	42.63"
	B (Body Length)	47.15"
	C (Diameter)	1.02"

NOMINAL LENGTH: 48" BASE TYPE: G13 (Medium Bi-Pin)

ORDERING INFORMATION

ORDER CODE	PACK QTY.	UPC	EASY CODE	DLC PRODUCT ID
KT-LED14.5T8-48G-830-DX2 /G2	25	843654150000	TSA-82	S-WSPB3J
KT-LED14.5T8-48G-835-DX2 /G2	25	843654150017	QHT-37	S-LHMOUG
KT-LED14.5T8-48G-840-DX2 /G2	25	843654150024	ALS-19	S-K4SD9Q
KT-LED14.5T8-48G-850-DX2 /G2	25	843654150031	QSS-61	S-876V3X
KT-LED14.5T8-48G-865-DX2 /G2	25	843654150048	QVI-46	S-1WCMJ2

CATALOG NUMBER BREAKDOWN

KT-LED14.5T8-48G-8XX-DX2 /G2

1 2 3 4 5 6 7 8 9 10

- 1 Keystone Technologies
- 2 LED Lamp
- 3 Wattage
- 4 Lamp Type
- 5 Nominal Length (inches)
- 6 Glass
- 7 80 CRI
- 8 Color Temp.
- 9 Single or Double-Ended Wiring
- 10 Second Generation