



# ALUMAGROOVE®

## KTAG-22L-700-46-8XX-RJ /G2 HIGH OUTPUT LINEAR LED MODULE

### DESCRIPTION

High efficacy linear LED modules pre-mounted into aluminum extrusion via a patented manufacturing method, 22" Long.



RoHS Compliant

5 YEAR WARRANTY

<b>MODULE TYPE:</b> Linear
<b>MAX MODULE POWER:</b> 32.2W
<b>MAX DRIVE CURRENT:</b> 700mA
<b>COLOR RENDERING INDEX (CRI):</b> >80
<b>RECOMMENDED WIRING:</b> Parallel Connection
<b>WARRANTY:</b> 5 Years

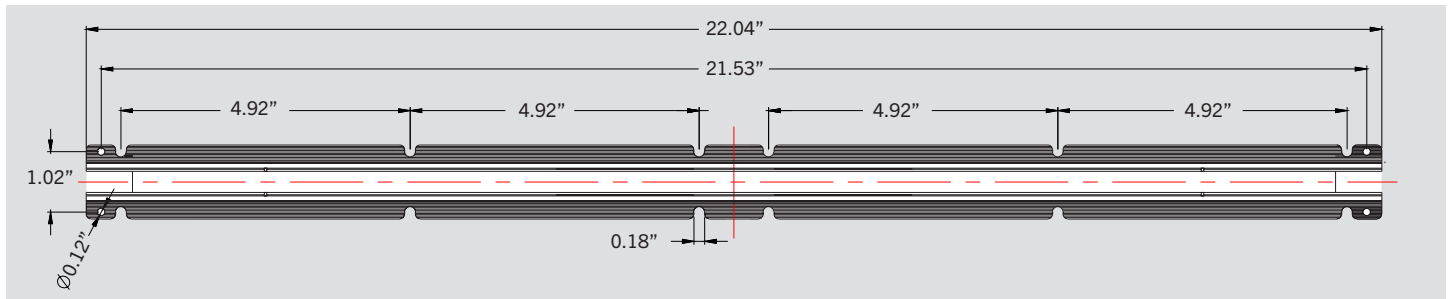


### PRODUCT FEATURES

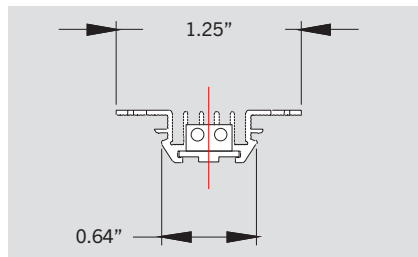
- For use in class 2 lighting systems only
- High lumen density design, approx 2650 lm/ft
- Optional lens accessory
- Completely heat sunked, no additional heat sinking needed to maintain LED lifetime
- Low profile, push-in connectors
- Made with UL recognized components
- 3-Step color binning
- 2835 LED chip package
- Reported life expectancy: L70 >54,000 hours at 85C° | L90 48,000 hours at 85C°
- Calculated life expectancy: L70 > 160,000 hours at 85C° | L90 48,000 hours at 85C°
- Linkable in parallel with different length AlumaGroove modules

### PHYSICAL SPECIFICATIONS

#### Top View



#### Side View



# KTAG-22L-700-46-8XX-RJ /G2

## HIGH OUTPUT LINEAR LED MODULE

### PERFORMANCE SPECIFICATIONS

Drive Current mA	Volts	Watts	3000K				3500K				4000K				5000K			
			WITHOUT LENS		WITH LENS		WITHOUT LENS		WITH LENS		WITHOUT LENS		WITH LENS		WITHOUT LENS		WITH LENS	
			Flux	Efficacy lm/W	Flux	Efficacy lm/W	Flux	Efficacy lm/W	Flux	Efficacy lm/W	Flux	Efficacy	Flux	Efficacy lm/W	Flux	Efficacy	Flux	Efficacy lm/W
700	46	32.20	5240	168	4757	148	5471	175	4977	155	5605	180	5130	160	5582	178	5095	158
660	46	30.36	4910	168	4480	149	5152	176	4687	156	5278	181	4833	161	5257	179	4794	159
620	46	28.52	4626	170	4204	150	4851	178	4411	157	4957	182	4549	163	4951	180	4519	160
580	46	26.68	4345	172	3949	152	4555	179	4136	159	4650	184	4271	164	4648	182	4237	162
540	46	24.84	4063	173	3686	153	4259	181	3865	160	4346	185	3986	166	4342	184	3959	163
500	46	23.00	3780	175	3426	154	3964	183	3595	162	4042	187	3703	167	4038	185	3680	165
460	46	21.16	3496	177	3165	156	3665	185	3322	164	3736	189	3420	169	3731	187	3398	167
420	46	19.32	3208	179	2904	158	3363	187	3040	165	3426	191	3129	170	3423	189	3118	168
380	46	17.48	2917	181	2639	159	3060	189	2765	167	3115	193	2843	172	3110	191	2826	170
340	46	15.64	2623	183	2372	161	2754	192	2489	169	2802	195	2557	174	2795	193	2541	172
300	46	13.80	2326	185	2103	163	2443	194	2207	171	2484	197	2266	176	2479	195	2253	173
260	46	11.96	2027	187	1830	165	2128	196	1924	173	2163	200	1973	178	2158	197	1961	175
220	46	10.12	1722	189	1552	166	1811	198	1631	175	1839	202	1672	180	1833	199	1667	177
180	46	8.28	1415	191	1278	169	1487	201	1342	177	1511	204	1375	182	1507	202	1366	179
140	46	6.44	1104	193	997	171	1162	203	1048	179	1179	207	1073	184	1175	204	1067	181
100	46	4.60	790	195	711	172	831	205	747	181	843	209	766	186	841	206	761	183

\* Nominal Values Shown. Actual Values May Vary Based on Tolerances and Ambient Temperature.

Circuit Layout	
No. of LED's in Series	No. of LED's in Parallel
16	8

### ACCESSORIES

Lens	KTAG-22L-LENS*

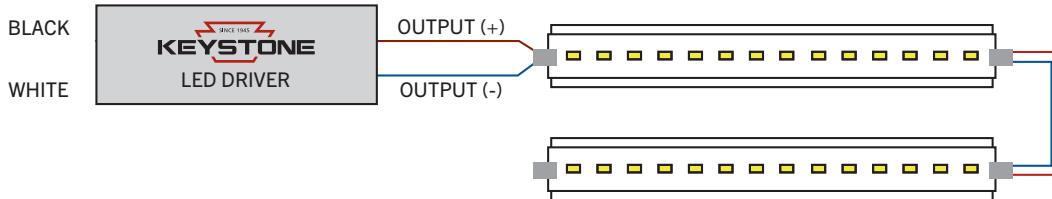
\*Polycarbonate, Flammability Rating V-2



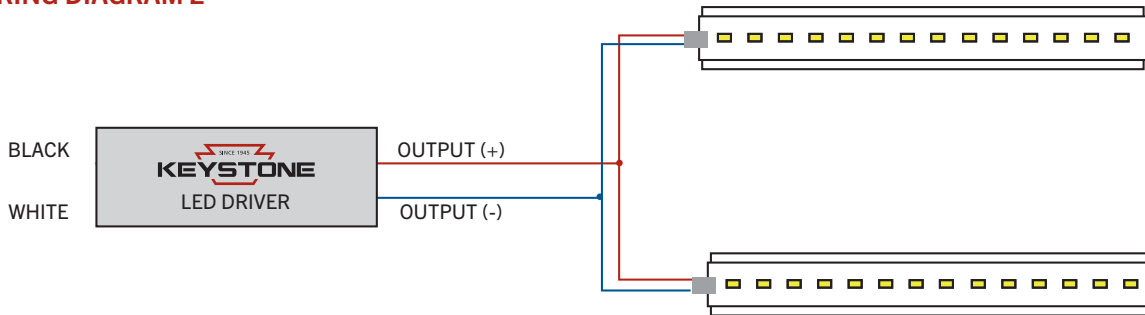
# KTAG-22L-700-46-8XX-RJ /G2

## HIGH OUTPUT LINEAR LED MODULE

### WIRING DIAGRAM 1\*



### WIRING DIAGRAM 2\*



\* Not to exceed a total of 8' total length for end-to-end parallel connections and not to exceed 2A input into any one connector.

### ORDERING INFORMATION

Catalog Number	Easy Code	UPC
KTAG-22L-700-46-830-RJ /G2	BKV-27	843654140384
KTAG-22L-700-46-835-RJ /G2	TZW-53	843654140391
KTAG-22L-700-46-840-RJ /G2	TDO-46	843654140407
KTAG-22L-700-46-850-RJ /G2	TEJ-21	843654140414

### CATALOG NUMBER BREAKDOWN

# KTAG-22L-700-46-8XX-RJ /G2

1 2 3 4 5 6 7 8

- 1 Keystone Technologies AlumaGroove
- 2 Nominal Length
- 3 Max. Drive Current
- 4 Nominal Forward Voltage
- 5 80 CRI
- 6 Color Temperature
- 7 Rear-Junction Connection
- 8 Second Generation