



# KT-LED13T5HE-48GC-8XX-DX2

## T5 LED LAMP

### DESCRIPTION

13W T5 LED | 3500-5000K | > 83 CRI | High-Output | Single- or Double-Ended Wiring



<b>LAMP TYPE:</b> Linear
<b>BULB TYPE:</b> T5 LED
<b>BASE TYPE:</b> G5 (Miniature Bi-Pin)
<b>WATTAGE:</b> 13W
<b>COLOR TEMPERATURE:</b> 3500-5000K
<b>COLOR RENDERING INDEX (CRI):</b> > 83
<b>WARRANTY:</b> 5 Years



### PRODUCT FEATURES

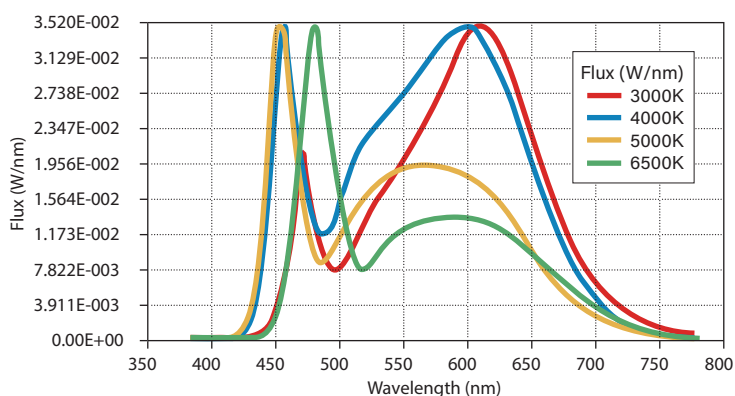
- Replacement for conventional fluorescent lamp
- Single- or Double-Ended Wiring
- 50,000+ hour lifetime
- Environmentally friendly: No mercury used
- Instant startup
- Direct replacement for F28T5 fluorescent lamp
- Frosted lens eliminates pixelation
- Integral driver (isolated) eliminates the need for external driver or ballast
- Improved Lamp Durability with Shatterproof Coated Glass, designed to pass drop tests of 6' on hard surface
- Operating temperature: -20°C/-4°F to 45°C/113°F
- 120+ Lumens per Watt
- UL Classified
- DLC Listed
- ETL Sanitation listed NSF/ANSI Standard 2—Food Equipment
- Meets FCC part 15 Class B standards
- Lamp is dimmable when used with an appropriate dimming accessory (purchased separately). Contact Keystone for more details to find out what is best for the intended application.

### ELECTRICAL AND PERFORMANCE SPECIFICATIONS

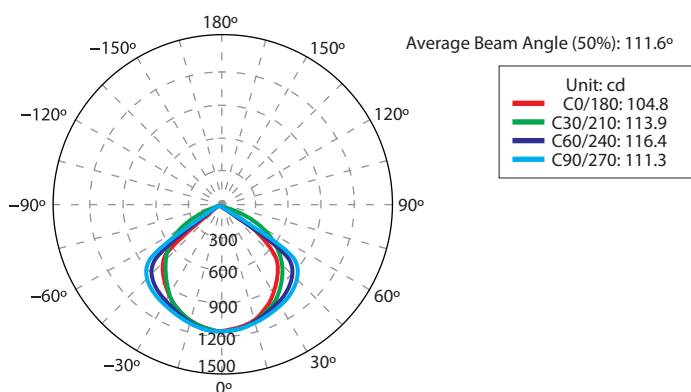
Catalog Number	Input Voltage	Power Consumption	Color Temperature (CCT)	Luminous Flux	Efficacy	Beam Angle	Visible Light Area	Power Factor	Input Current	Rated Life
KT-LED13T5HE-48GC-835-D	120-277 Vac	13W	3500K	1600 lm	123 lm/W	240°	325°	>0.9	115mA @ 120V 50mA @ 277V	L70 (Hours) 50,000
KT-LED13T5HE-48GC-840-D			4000K	1650 lm	127 lm/W					
KT-LED13T5HE-48GC-850-D			5000K	1700 lm	131 lm/W					

### PHOTOMETRIC SPECIFICATIONS

#### SPECTRAL DISTRIBUTION



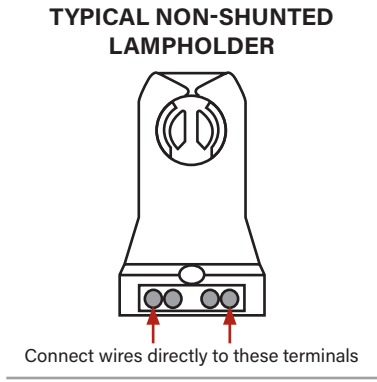
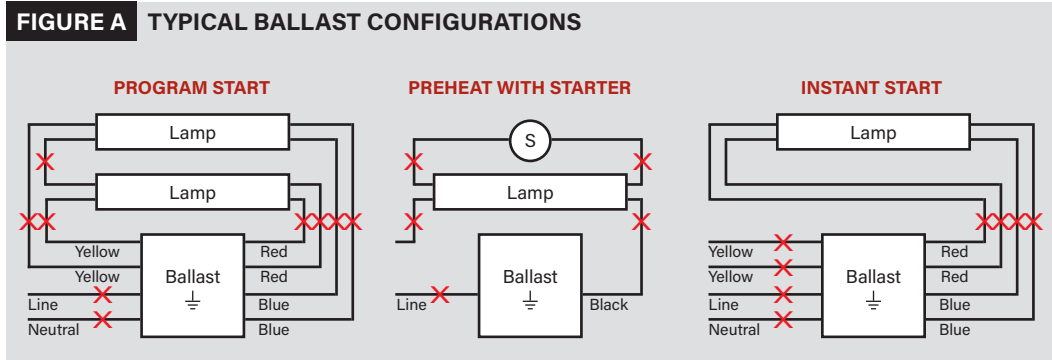
#### PHOTOMETRIC CHARACTERISTICS



# KT-LED13T5HE-48GC-8XX-DX2 T5 LED LAMP

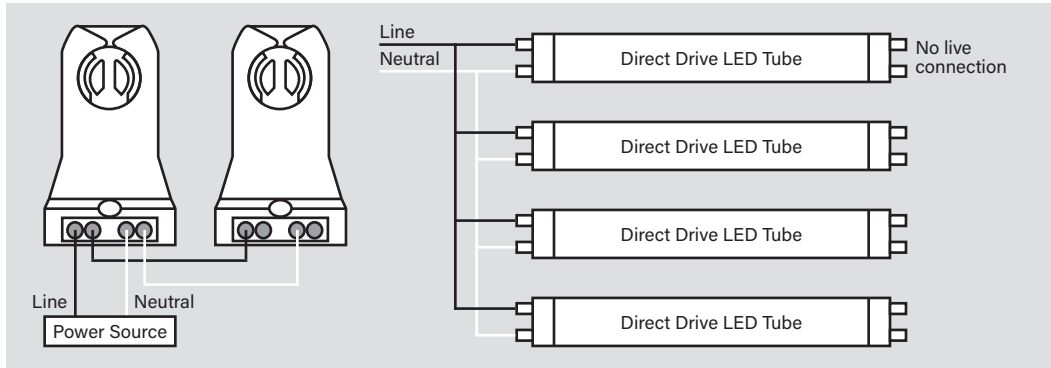
**WIRING DIAGRAM**

1. Cut all existing connections to ballast as shown below and remove ballast. *Figure A* for typical ballast configurations. **Note: Single-ended wiring requires non-shunted lampholders.**



**CAUTION: FOR SINGLE-ENDED WIRING USE ONLY NON-SHUNTED LAMPHOLDERS.**

2. Rewire fixture as shown below.

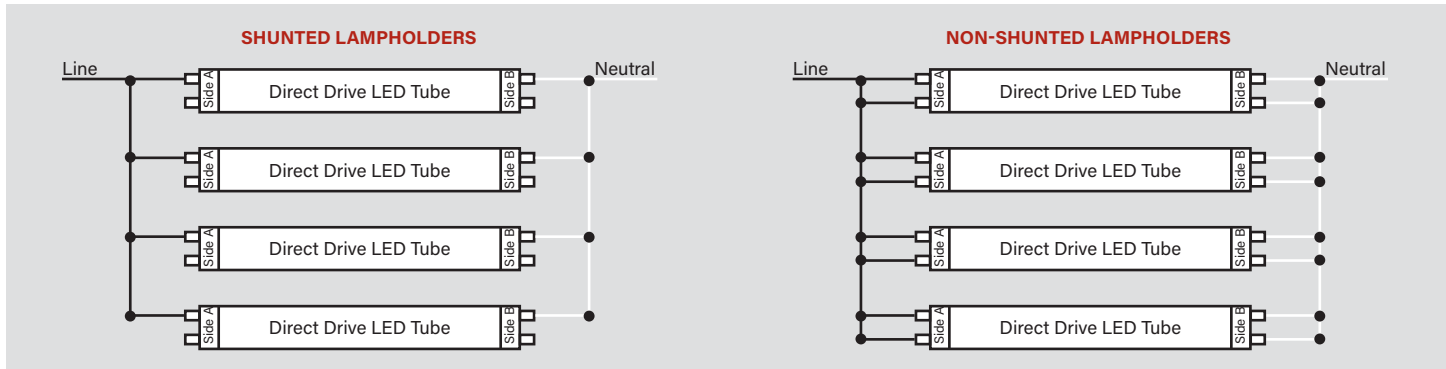


For Single-ended wiring, do not install product in a fixture with shunted lampholders (found in all fixtures using instant start ballasts). If the current lampholders are shunted, remove them and replace them with non-shunted lampholders. Make new connections directly to terminals as indicated above. Keystone can provide any style replacement lampholders. Call us at 800-464-2680.

**PHYSICAL SPECIFICATIONS**

1. Cut all existing connections to ballast as shown below and remove ballast. See *Figure A* above for typical ballast configurations.  
2. Re-wire fixture as shown below. For double-ended wiring, use either shunted or nonshunted lampholders.

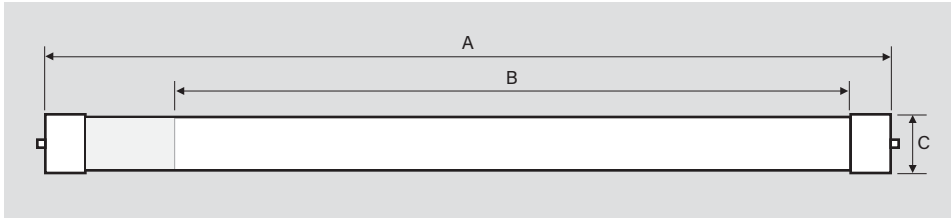
**NOTE: There should not be any exposed wires at the end of installation.**



# KT-LED13T5HE-48GC-8XX-DX2

## T5 LED LAMP

### PHYSICAL SPECIFICATIONS



### LAMP DIMENSIONS

A (Body Length)	45.19"
B (Illuminated Length)	40.56"
C (Diameter)*	0.82"

**NOMINAL LENGTH:** 48"

**BASE TYPE:** G5 (Miniature Bi-Pin)

*\*Though nominally referred to as a T5, this lamp has a T6 diameter.*

### ORDERING INFORMATION

ORDER CODE	PACK QTY.	EASY CODE	UPC	DLC PRODUCT ID
KT-LED13T5HE-48GC-835-DX2	25	KNB-02	843654130491	PLGKNAH7G0TV
KT-LED13T5HE-48GC-840-DX2	25	JTJ-64	843654130507	PLZCQFM8DFK9
KT-LED13T5HE-48GC-850-DX2	25	KKC-12	843654130514	PL97JHXE4BTY

### CATALOG NUMBER BREAKDOWN

# KT-LED13T5HE-48GC-8XX-DX2

1 2 3 4 5 6 7 8 9

- 1 Keystone Technologies
- 2 LED Lamp
- 3 Wattage
- 4 Lamp Type
- 5 Nominal Length (Inches)
- 6 Shatter-Proof Coated Glass
- 7 80 CRI
- 8 Color Temperature
- 9 Single- or Double-Ended Wiring