



# DIRECT DRIVE DX2

SINGLE- OR DOUBLE-ENDED LINE VOLTAGE LED TUBES

## KT-LED15T8-48GC-950-DX2

### T8 LED LAMP

#### DESCRIPTION

15W T8 LED | 5000K | >90 CRI | High-Efficiency



<b>LAMP TYPE:</b> Linear
<b>BULB TYPE:</b> T8 LED
<b>BASE TYPE:</b> G13 (Medium Bi-Pin)
<b>WATTAGE:</b> 15W
<b>COLOR TEMPERATURE:</b> 5000K
<b>COLOR RENDERING INDEX (CRI):</b> >90
<b>WARRANTY:</b> 5 Years



#### PRODUCT FEATURES

- Replacement for conventional fluorescent lamp
- Single- or double-ended wiring
- 50,000+ hour lifetime
- Approximately 40% more energy efficient than standard F32T8 lamps
- Environmentally friendly: No mercury used
- Instant startup
- Frosted lens eliminates pixelation
- UL classified
- Operating temperature: -20°C/-4°F to 45°C/113°F
- Integral driver (isolated) eliminates the need for external driver or ballast
- 100+ Lumens per Watt
- Improved lamp durability with shatterproof coated glass
- ETL Sanitation Listed NSF/ANSI Standard 2— Food Equipment

#### OPERATING SPECIFICATIONS

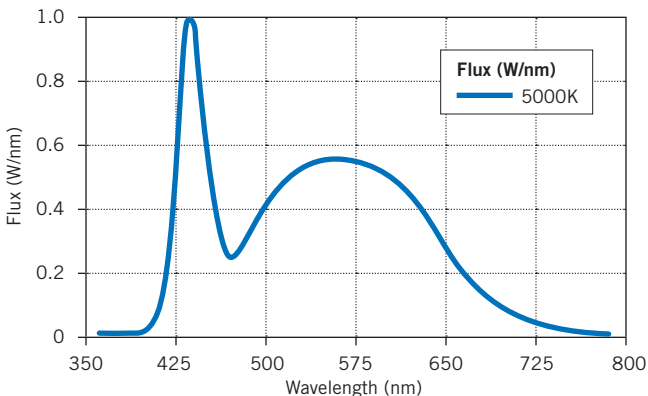
##### ELECTRICAL CHARACTERISTICS

Catalog Number	Color Temp.	Input Voltage	Power Consumption	Lumens	Luminous Efficacy	Rated Life (L70)
KT-LED15T8-48GC-950-DX2	5000K	120-277V	15W	1,900 lm	127 lm/W	50,000 Hrs

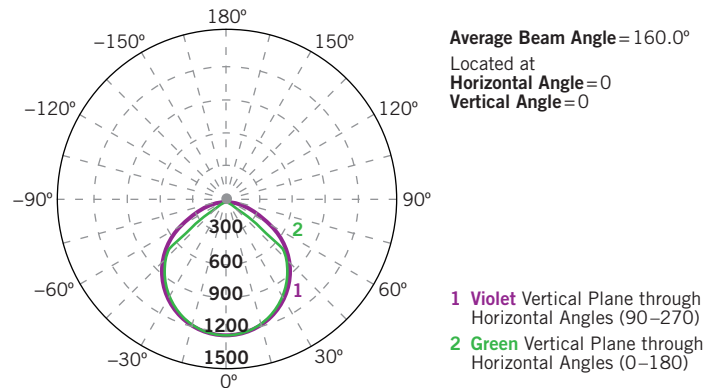
##### PHOTOMETRIC CHARACTERISTICS

Color Temperature (CCT)	5000K
Luminous Flux	1900 lm
Color Rendering Index (CRI)	≥90
Efficacy	127 lm/W
Beam Angle	160°
Visible Light Area	325°

##### SPECTRAL DISTRIBUTION



##### POLAR CANDELA DISTRIBUTION

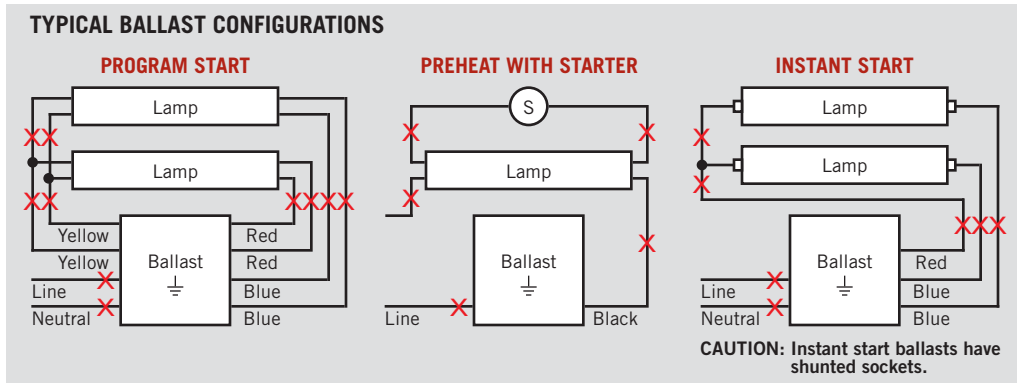


# KT-LED15T8-48GC-950-DX2

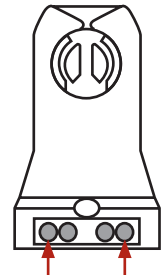
## T8 LED LAMP

### WIRING DIAGRAMS

1. Cut all existing connections to ballast as shown below and remove ballast. See typical ballast configurations below.

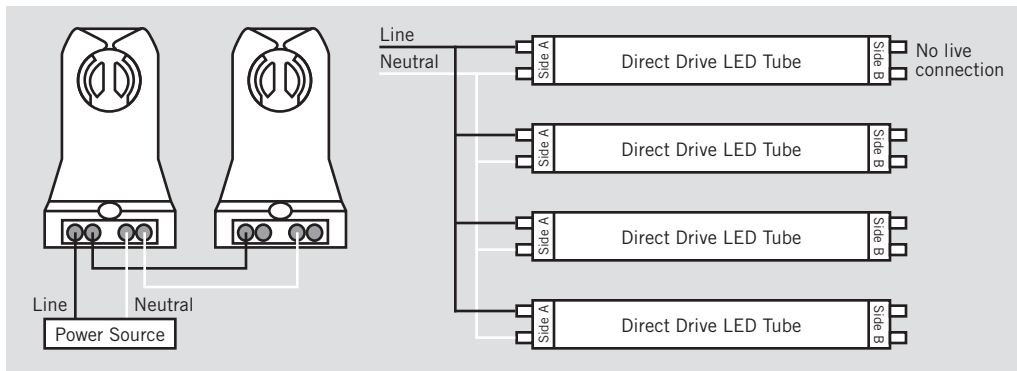


### TYPICAL NON-SHUNTED LAMPHOLDER



Connect wires directly to these terminals

2. Rewire fixture as shown below. **NOTE: Single-ended wiring requires non-shunted lampholders.**



**CAUTION: FOR SINGLE-ENDED WIRING USE ONLY NON-SHUNTED LAMP HOLDERS.**

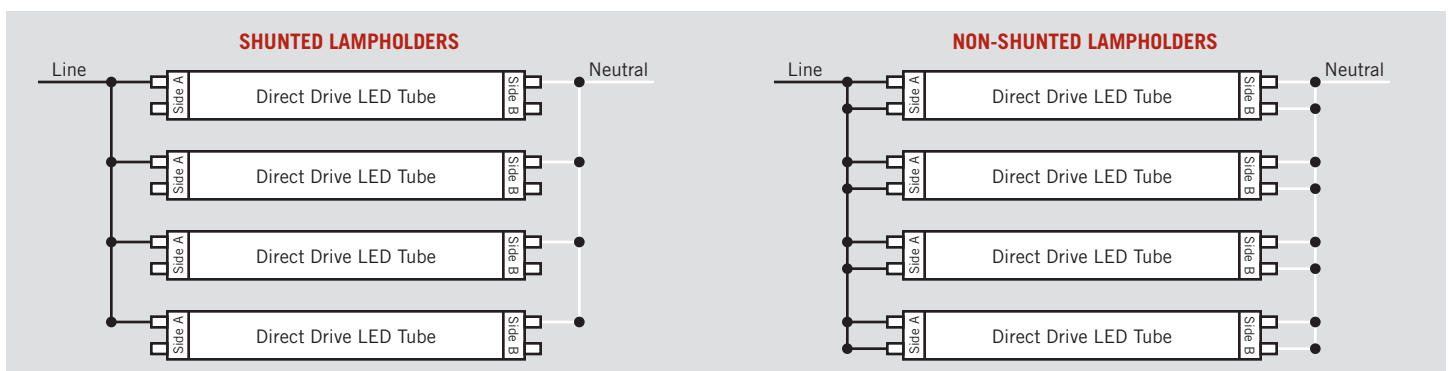
For single-ended wiring, do not install product in a fixture with shunted lampholders (found in all fixtures using instant start ballasts). If the current lampholders are shunted, remove them and replace them with non-shunted lampholders. Make new connections directly to terminals as indicated above. Keystone can provide any style replacement lampholders. Call us at 800-464-2680.

### DOUBLE-ENDED WIRING DIAGRAM

1. Cut all existing connections to ballast as shown and remove ballast. See *Typical Ballast Configurations* illustration above.

2. Re-wire fixture as shown below. For double-ended wiring, use either shunted or non-shunted lampholders.

**NOTE: There should not be any exposed wires at the end of installation.**

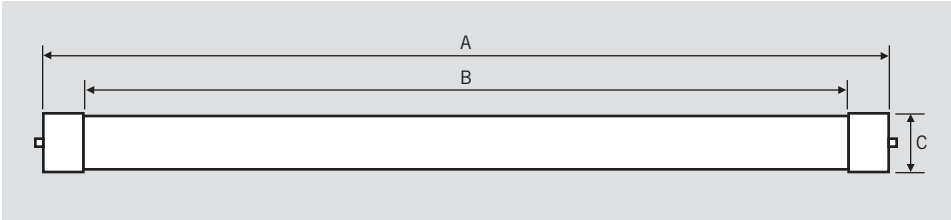




# KT-LED15T8-48GC-950-DX2

## T8 LED LAMP

### PHYSICAL CHARACTERISTICS



### LAMP DIMENSIONS

A (Body Length)	47.15"
B (Illuminated Length)	42.63"
C (Diameter)	1.10"

**NOMINAL LENGTH:** 48"

**BASE TYPE:** G13 (Medium Bi-Pin)

### ORDERING INFORMATION

ORDER CODE	PACK QTY.	ITEM STATUS
KT-LED15T8-48GC-950-DX2	25	Quick Ship

### CATALOG NUMBER BREAKDOWN

# KT-LED15T8-48GC-950-DX2

- 1
- 2
- 3
- 4
- 5
- 6
- 7
- 8
- 9

- 1 Keystone Technologies
- 2 LED Lamp
- 3 Wattage
- 4 Lamp Type
- 5 Nominal Length (Inches)
- 6 Shatterproof Coated Glass Construction
- 7 900 Series
- 8 Color Temperature
- 9 Single- or Double-Ended Wiring