



KT-LED12T8-36GC-8XX-D-VDIM

T8 LED LAMP

DESCRIPTION

12W T8 LED | 3500–5000K | >83 CRI | High-Efficiency | Single-Ended Wiring



| |
|---|
| LAMP TYPE: Linear |
| BULB TYPE: T8 LED |
| BASE TYPE: G13 (Medium Bi-Pin) |
| WATTAGE: 12W |
| COLOR TEMPERATURE: 3500–5000K |
| COLOR RENDERING INDEX (CRI): >83 |
| WARRANTY: 5 Years |



PRODUCT FEATURES

- Replacement for conventional F25T8 fluorescent lamp
- Single-ended wiring
- Instant startup
- Frosted lens eliminates pixelation
- Improved Lamp Durability with Shatterproof Coated Glass, designed to pass drop tests of 6' on hard surface
- Integral driver (isolated) eliminates the need for external driver or ballast
- Approx. 40% more energy efficient than standard F25T8 lamp
- ETL Sanitation Listed NSF/ANSI Standard 2 - Food Equipment, Splash Zone (Not for Direct Food Zone without additional fixture considerations)
- 0–10V dimming to below 10%
- Environmentally friendly: No mercury used
- Operating temperature: –20°C/–4°F to 45°C/113°F
- 50,000+ hour lifetime
- UL Classified
- UL Flicker Free Design from date code 1903F
- DLC Listing; Meets DLC 5.1 requirements

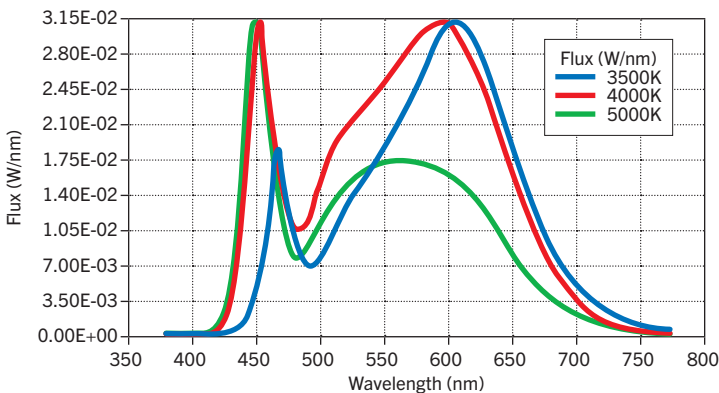
ELECTRICAL AND PERFORMANCE SPECIFICATIONS

| Catalog Number | Input Voltage | Input Current | Wattage | Color Temperature | Lumen Output | Efficacy | CRI | Power Factor |
|----------------------------|---------------|----------------------------|---------|-------------------|--------------|----------|-----|--------------|
| KT-LED12T8-36GC-835-D-VDIM | 120–277V | 0.12A @ 120V; 0.05A @ 277V | 12W | 3500K | 1500 | 125 lm/W | >83 | >0.9 |
| KT-LED12T8-36GC-840-D-VDIM | | | | 4000K | 1550 | 129 lm/W | | |
| KT-LED12T8-36GC-850-D-VDIM | | | | 5000K | 1550 | 129 lm/W | | |

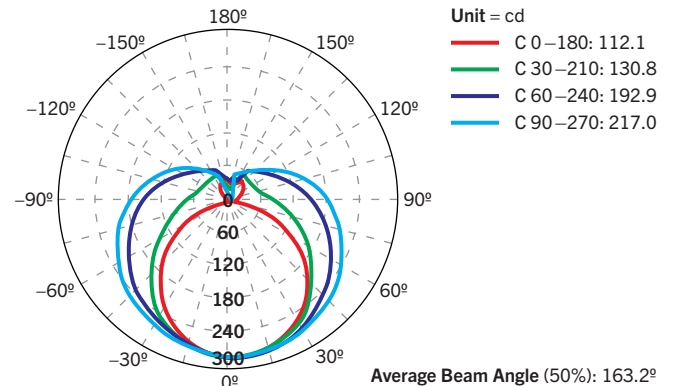
PHOTOMETRIC SPECIFICATIONS

| | | | | | | | | | |
|-------------------|--------|---------------------------|------|---------------|-----|---------------|--------------|-------------------------|--------------|
| Beam Angle | 163.2° | Visible Light Area | 325° | Length | 36" | Wiring | Single-ended | Rated Life (L70) | 50,000 hours |
|-------------------|--------|---------------------------|------|---------------|-----|---------------|--------------|-------------------------|--------------|

SPECTRAL DISTRIBUTION



POLAR CANDELA DISTRIBUTION





KT-LED12T8-36GC-8XX-D-VDIM

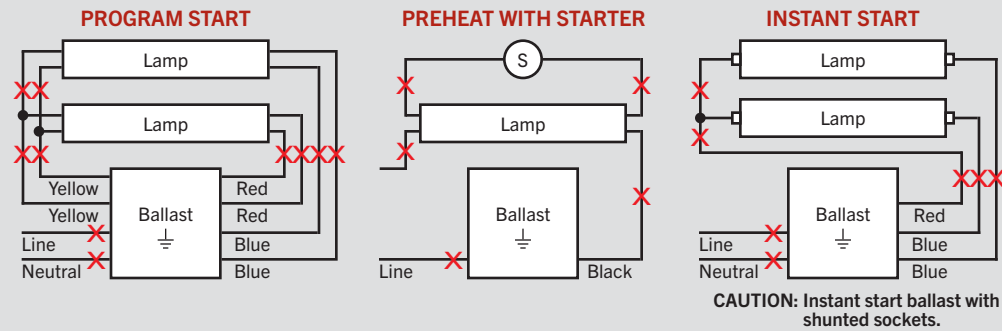
T8 LED LAMP

WIRING DIAGRAMS

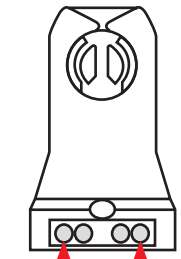
Cut all existing connections to ballast as shown below and remove ballast.

Note: Both single-ended wiring without dimming and single-ended wiring with dimming require non-shunted lampholders.

Typical Ballast Configurations



TYPICAL NON-SHUNTED LAMPHOLDER



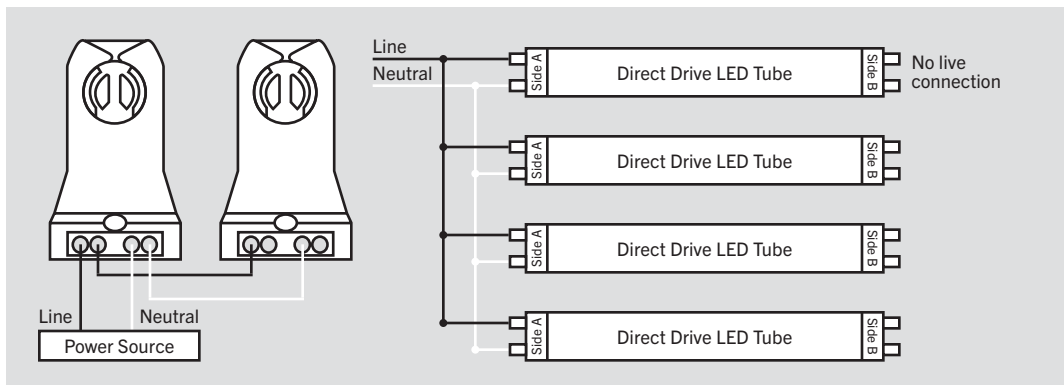
Connect wires directly to these terminals

CAUTION: USE ONLY NON-SHUNTED LAMPHOLDERS.

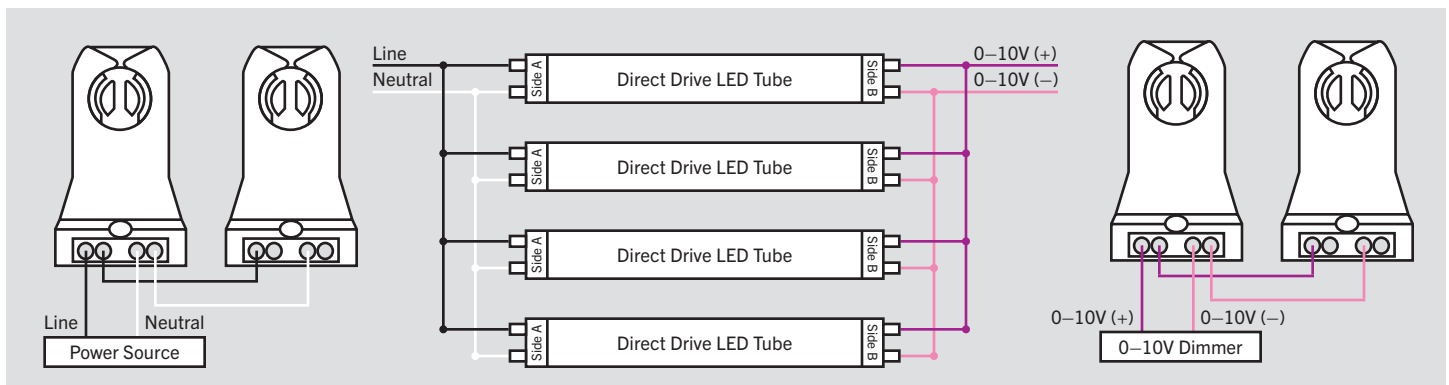
Do not install product in a fixture with shunted lampholders (found in all fixtures using instant start ballasts). If the current lampholders are shunted, remove them and replace them with non-shunted lampholders. Make new connections directly to terminals as indicated in wiring diagrams.

Keystone can provide any style replacement lampholders. Call us at 800-464-2680.

Single-ended wiring without dimming: Re-wire fixture as shown below.



Single-ended wiring with dimming: Re-wire fixture as shown below.



Note: There should not be any exposed wires at the end of installation.

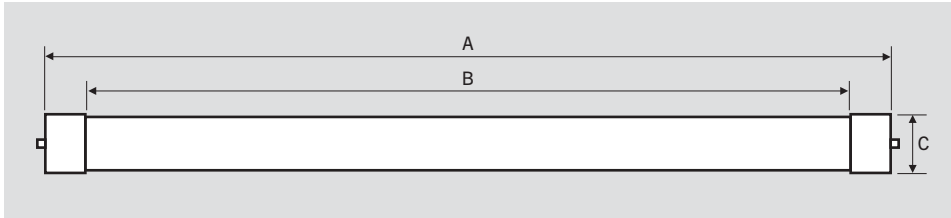


DIRECT DRIVE LED
LINE VOLTAGE T8 TUBES

KT-LED12T8-36GC-8XX-D-VDIM

T8 LED LAMP

PHYSICAL SPECIFICATIONS



LAMP DIMENSIONS

| | |
|------------------------|--------|
| A (Body Length) | 35.19" |
| B (Illuminated Length) | 31.81" |
| C (Diameter) | 1.10" |

NOMINAL LENGTH: 36"

BASE TYPE: G13 (Medium Bi-Pin)

ORDERING INFORMATION

| ORDER CODE | CARTON QUANTITY | UPC | EASY CODE | DLC PRODUCT ID |
|----------------------------|-----------------|--------------|-----------|----------------|
| KT-LED12T8-36GC-835-D-VDIM | 25 | 843654136431 | HMS-81 | P0FPKYCR |
| KT-LED12T8-36GC-840-D-VDIM | 25 | 843654136448 | HBS-08 | PV02IJ6J |
| KT-LED12T8-36GC-850-D-VDIM | 25 | 843654136455 | DRB-60 | PIGXKY26 |

CATALOG NUMBER BREAKDOWN

KT-LED12T8-36GC-8XX-D-VDIM

1 2 3 4 5 6 7 8 9 10

- 1 Keystone Technologies
- 2 LED Lamp
- 3 Wattage
- 4 Lamp Type
- 5 Nominal Length (Inches)
- 6 Coated Glass
- 7 >80 CRI
- 8 Color Temperature
- 9 Direct Drive Series
- 10 0–10V Dimming