



KTSL-FC1-UV-KO-PIR

LOAD CONTROLLER WITH REMOTE MOUNT SENSOR

INSTALLATION AND OPERATING INSTRUCTIONS

Read and understand all warnings and notes stated below before proceeding with installation.

- Operating temperature: $-40^{\circ}\text{C}/-40^{\circ}\text{F}$ to $45^{\circ}\text{C}/113^{\circ}\text{F}$
- Do not use with enclosed metal luminaire.
- Do not expose directly to water.
- Not for outdoor use.
- Use only one controller per luminaire.

Warning: Install/use in accordance with appropriate electrical codes and regulations.

Warning: If you are not sure about any part of these instructions, consult a qualified electrician.

Warning: Controlling a load in excess of the specified ratings will damage the unit and pose risk of fire, electric shock, personal injury, or death. Check your load ratings to determine the unit's suitability for your application.

Warning: To avoid fire, shock, or death, turn off power at circuit breaker or fuse box and test to ensure that the power is off before wiring. Installation without cutting power may also cause device malfunction.

Cautions:

- Disconnect power when servicing luminaire or changing bulbs.
- Use this device with copper or copper-clad wire only. With aluminum wire, use devices marked CO/ALR or CU/AL only.
- Do not attempt to disassemble or repair.
- Clean outer surface with a damp cloth only.



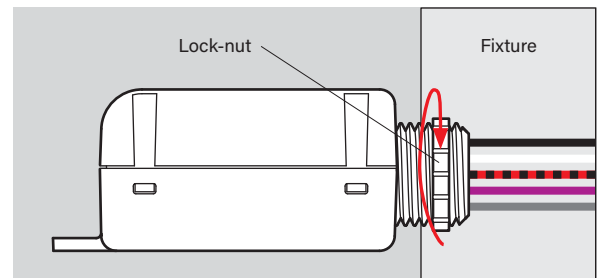
INSTALLING CONTROLLER

For 1/2" Knockout (KO) Installation

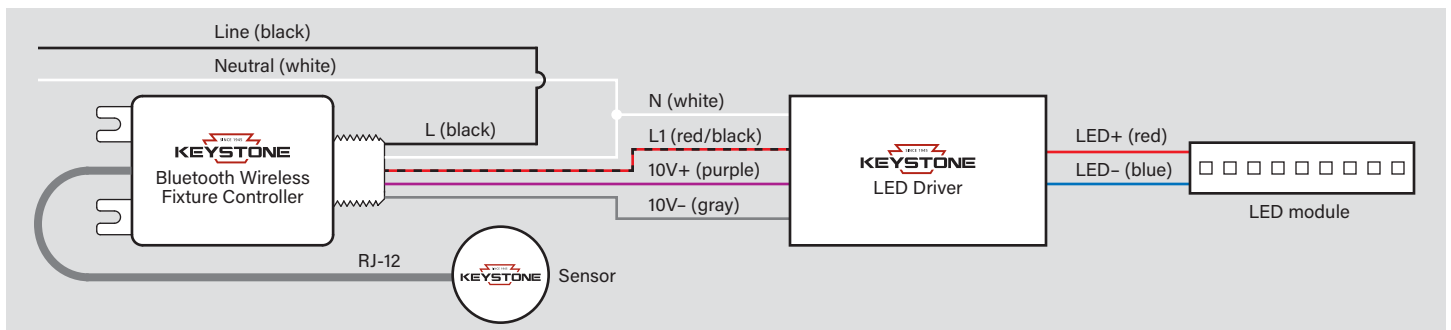
1. Remove the locknut on the 1/2" KO threading of the device.
2. Route wires and device threading through a 1/2" KO on fixture.
3. Place lock-nut over wires and screw onto threading to tighten controller to fixture (see illustration to right).
4. Connect controller wires (see "Wiring" below).

For Screw Tab Installation

1. Position controller such that it is not fully enclosed by metal.
2. Secure controller into position with the screws appropriate for the mounting surface.
3. Connect controller wires (see "Wiring" below).



WIRING



INSTALLING SENSOR

1. For installation in drop ceiling tiles, drill 1-3/8" hole at desired install location (within ~4' of controller).
2. Remove lock-nut on sensor.
3. Guide sensor into the hole in the ceiling tile, and secure with lock-nut.
4. Using the RJ-11 cable (included), connect sensor to fixture controller.
5. If the sensor field of view needs to be limited, use the sensor shroud (included). Tear away the tabs as needed to create the desired field of view.

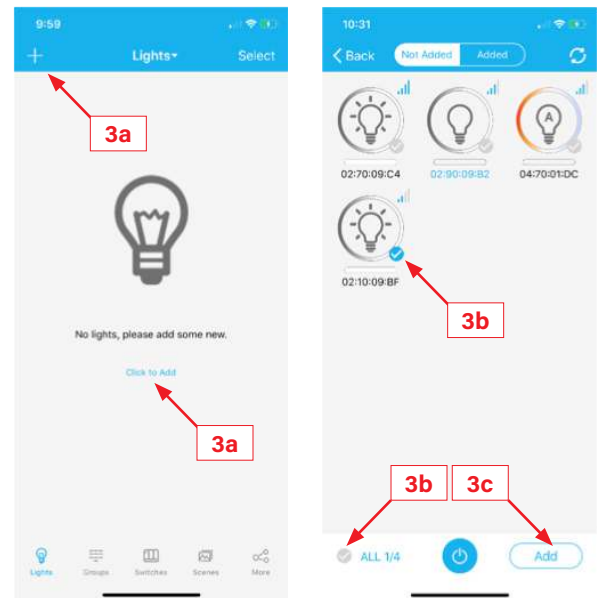
SmartLoop Website



COMMISSIONING

1. Search for and download the SmartLoop app (logo pictured to right) from the App store or Google Play store.
2. Turn on power to the fixture/controller.
3. In the SmartLoop app:
 - a. Press the '+' sign or 'Click to Add' to search for fixtures (see illustration to right: 3a).
 - b. Press the check mark next to fixtures to add individual controllers or press bottom left check mark to add all controllers (see illustration to right: 3b).
 - c. Press 'Add' to confirm (see illustration to right: 3c).

Note: Tapping on individual controllers will toggle power to help identify them. If controller cannot be found, follow factory reset procedure (see "Decommissioning" below).
4. For further system commissioning, see *Quick-Start Guide* and *User Manual* at www.keystonetech.com.



DECOMMISSIONING

Perform the following power cycle sequence:

1. Power On for 1 second, then Off for 10 seconds
2. Power On for 1 second, then Off for 10 seconds
3. Power On for 1 second, then Off for 10 seconds
4. Power On for 10 seconds, then Off for 10 seconds
5. Power On for 10 seconds, then Off for 10 seconds
6. Turn the fixture back on. The device should be factory reset (decommissioned), and it should then show up when you search for fixtures.

SAVE THESE INSTRUCTIONS