

# FL-LED-R1A-35-8CSB-KY

## COMPACT 35W GENERAL-PURPOSE LED FLOOD LIGHT



35W, 120-277V Input

### PRODUCT FEATURES

- Uniform, wide flood design (NEMA 7h x 7w distribution pattern)
- Heavy-duty, die cast aluminum housing featuring built-in glare visor and tempered glass lens
- Powered by 0–10V dimming LED drivers
- CCT Selection: Adjustable CCT (3000K, 4000K, or 5000K)
- Built-in dusk-to-dawn photocell behind translucent 3/4" threaded plug with anti-yellowing agent
- Heavy-duty 1/2" knuckle mount with 90° adjustment and yoke mount options included
- Ambient operating temperature: –30°C/–22°F to 45°C/113°F
- UL listed for wet locations, IP65
- 0–10V dimming, 10% min
- Power Factor: >0.95
- THD: <20%
- LED chip lifetime: L70 >100,000 hrs @ 25°C/77°F ambient fixture temp
- Meets FCC Part 15, Part B, Class A standards for conducted and radiated emissions
- 18" input cable, pre-stripped
- Fixture impact rating IK07



**10 YEAR**  
LIMITED WARRANTY

### ELECTRICAL SPECIFICATIONS

Catalog Number	Wattage	Lumens	Dimming	CCT*	Efficacy	CRI	Housing Color	Mounting	Input Voltage	Rated Life	Legacy Equivalent
FL-LED-R1A-35-8CSB-KY	35W	4480 lm	0–10V	3000K	128 lm/W	>80	Bronze	Universal: 1/2" Knuckle or yoke	120–277V	50,000 hrs	150–175W MH
		5075 lm		4000K	145 lm/W						
		4900 lm		5000K	140 lm/W						

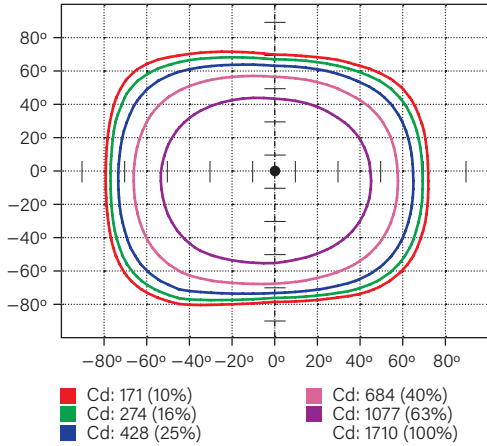
\* Color Uniformity: CCT (Correlated Color Temperature) range as per guidelines outlined in ANSI C78.377-2017

# FL-LED-R1A-35-8CSB-KY

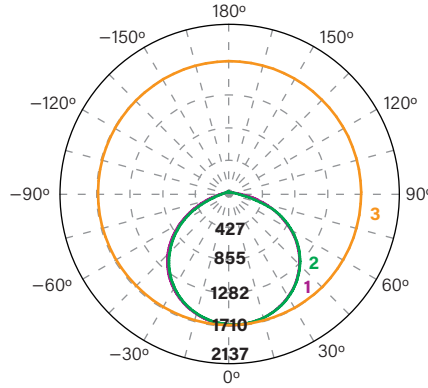
## COMPACT 35W GENERAL-PURPOSE LED FLOOD LIGHT

### PHOTOMETRIC SPECIFICATIONS

#### ISOCANDELA PLOT



#### LUMINOUS INTENSITY DISTRIBUTION



Average diffuse angle (50%): **114.3°**

**1 Violet** C0 – C180

**2 Green** C90 – C270

**3 Orange** G3

Unit: cd

#### FLUX DISTRIBUTION

Zone	Lumens	% Luminaire
<b>Forward Light</b>	2,527 lm	53.2%
0°–30°	675 lm	14.2%
30°–60°	1,366 lm	28.8%
60°–80°	471 lm	9.9%
80°–90°	15 lm	0.3%
<b>Back Light</b>	2,181 lm	46.0%
0°–30°	656 lm	13.8%
30°–60°	1,223 lm	25.8%
60°–80°	297 lm	6.3%
80°–90°	5 lm	0.1%
<b>Up Light</b>	39 lm	0.8%
90°–100°	2 lm	0.0%
100°–180°	36 lm	0.8%

#### BUG\* Rating

##### Asymmetrical Luminaire Types

Type I, II, III, IV      B2 U2 G1

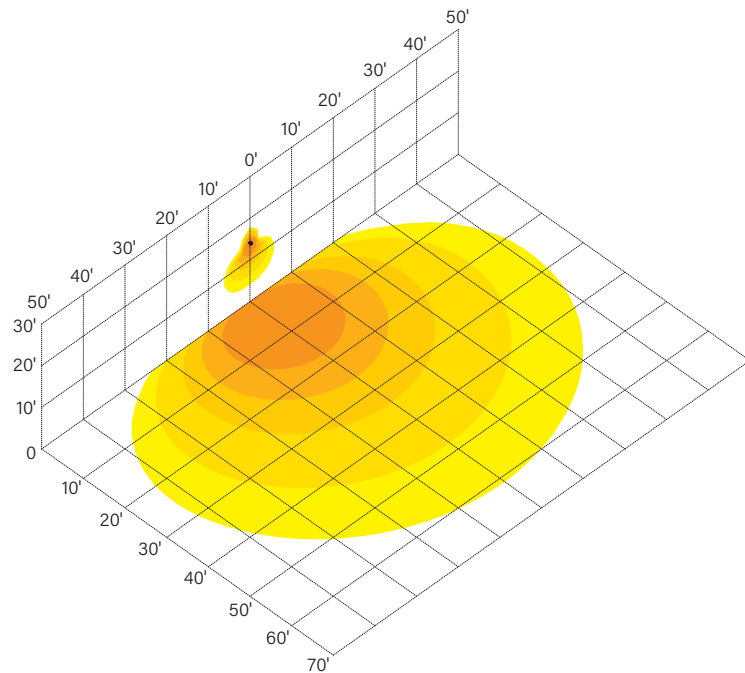
##### Quadrilateral Symmetrical Luminaire Types

Type V, Area Light      B2 U2 G1

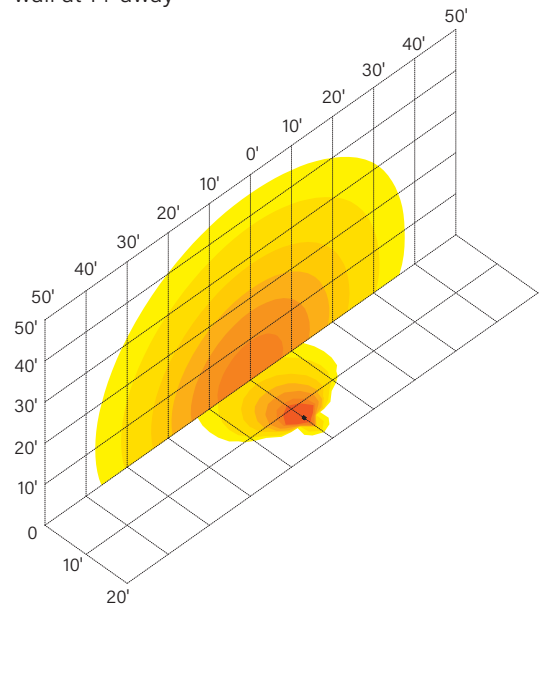
\* Backlight, Uplight, Glare

#### LIGHT DISTRIBUTION PATTERNS (Isometric view from above)

Building exterior mounted at 15',  
30° below horizontal



Ground mounted at 6" above ground,  
10° above horizontal, shining towards building exterior  
wall at 14' away

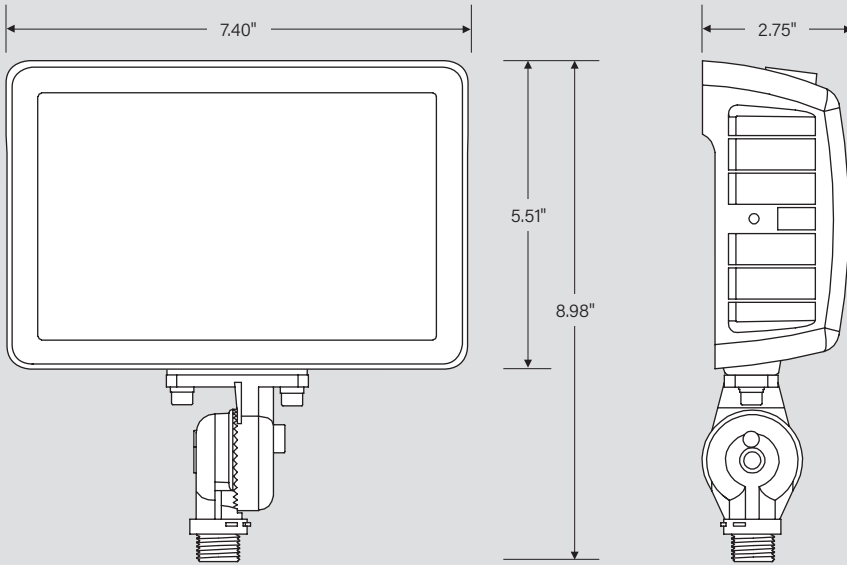


# FL-LED-R1A-35-8CSB-KY

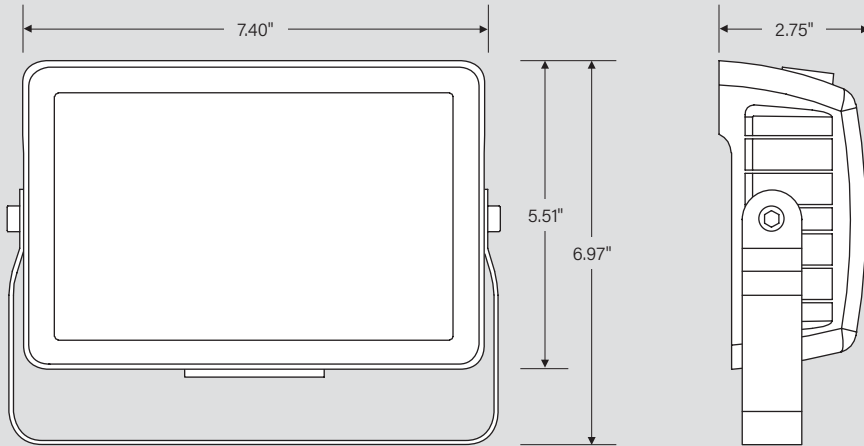
## COMPACT 35W GENERAL-PURPOSE LED FLOOD LIGHT

### PHYSICAL SPECIFICATIONS

#### KNUCKLE MOUNT



#### YOKE MOUNT

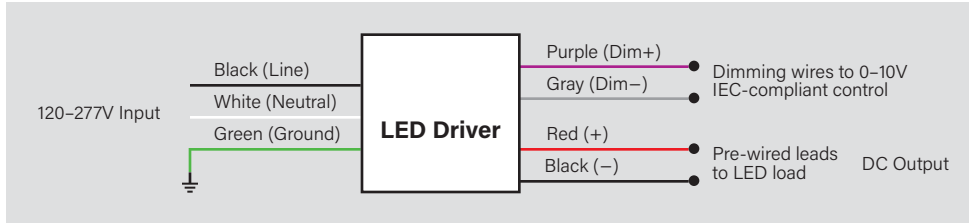


# FL-LED-R1A-35-8CSB-KY

## COMPACT 35W GENERAL-PURPOSE LED FLOOD LIGHT

### GENERAL SETUP INSTRUCTIONS

#### GENERAL WIRING DIAGRAM



**Caution:** Before installing, make certain that AC power to the fixture is off.

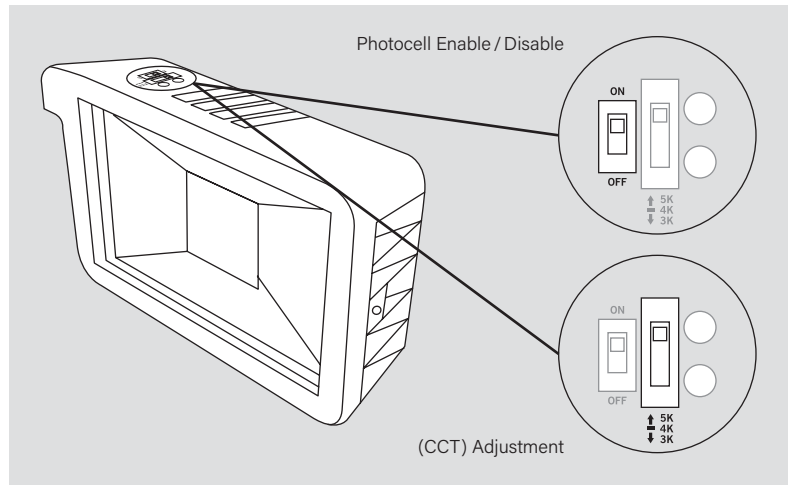
**Caution:** The electrical rating of this product is 120-277V. Installer must confirm that there is 120-277V at the fixture before installation.

#### PHOTOCELL ENABLE / DISABLE

This fixture is equipped with a dusk-to-dawn photocell behind the translucent knock-out (KO) cover. Adjust the dip switch to enable (ON) or disable (OFF) the photocell function (see illustrations to the right). Fixture comes preset with photocell enabled unless otherwise noted.

#### (CCT) ADJUSTMENT

This fixture is equipped with CCT Selection. There is an adjustable dip switch behind the translucent knock-out (KO) cover to change CCT between 5000K, 4000K, and 3000K (see illustrations to the right). Fixture comes preset at 5000K unless otherwise noted.



# FL-LED-R1A-35-8CSB-KY

## COMPACT 35W GENERAL-PURPOSE LED FLOOD LIGHT

### ACCESSORIES (SOLD SEPARATELY)

#### CORD SETS

**Factory-Installable OR Field-Installable** (field-installable options must be purchased separately)

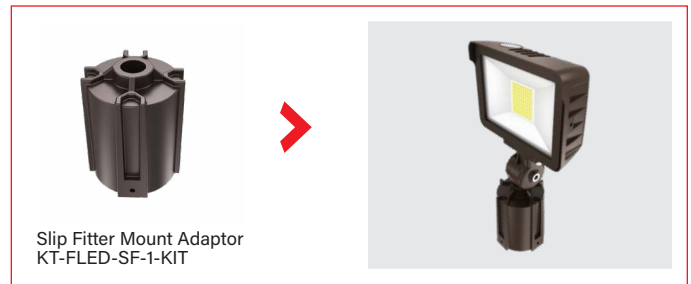
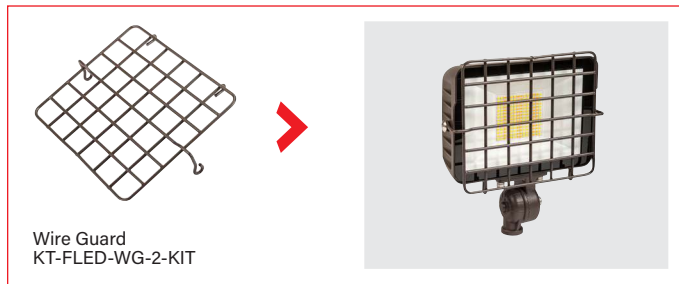
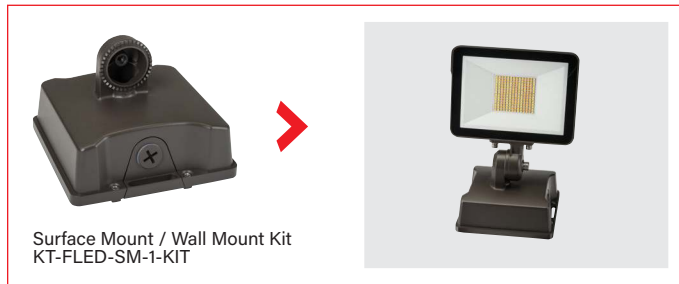
✓	SUFFIX*	CATALOG NUMBER	DESCRIPTION	UPC	EASY CODE
	/515P6	KT-CS-515P-6-18/3	Cord set; 125V NEMA 5-15P; straight blade plug; 6' SJTOW cable; 18/3 wire	843654140124	UKH-26

\*For factory installation of accessory, add suffix to fixture part number (see ordering examples and instructions on last page of spec sheet).  
**Note:** For cord sets not listed here, please contact your Keystone sales rep.

#### MOUNTS AND BRACKETS

**Field-Installable** (field-installable options must be purchased separately)

✓	SUFFIX*	CATALOG NUMBER	DESCRIPTION	UPC	EASY CODE
	N/A	KT-FLED-SM-1-KIT	Surface Mount / Wall Mount Kit for Series 1 Flood Lights. Fits 15W thru 60W fixtures. Includes Mounting Hardware. Standard Bronze Housing	843654129167	HZJ-35
	N/A	KT-FLED-RC-4	Round Cover Plate for mounting Floodlights on 4" Round boxes. Includes Mounting Hardware. Standard Bronze Color	843654129181	IOI-49
	N/A	KT-FLED-WG-2-KIT	Wire Guard for 35W Rectangular Series 1 LED Floodlight	843654138831	YLC-83
	N/A	KT-FLED-SF-1-KIT	Slip Fitter Mount Adaptor for 15W, 35W, and 60W Rectangular Series 1 LED Floodlight. Bronze	843654153308	TZP-68



# FL-LED-R1A-35-8CSB-KY

## COMPACT 35W GENERAL-PURPOSE LED FLOOD LIGHT

### ORDERING INFORMATION

CATALOG NUMBER	PACK QTY.	UPC
FL-LED-R1A-35-8CSB-KY	1	843654133522

### CATALOG NUMBER BREAKDOWN

# FL-LED-R1A-35-8CSB-KY

1	2	3	4	5	6	7	8	9	10
<b>1 Floodlight</b>									
<b>2 LED</b>									
<b>3 Shape</b>									
<b>4 Series Designation</b>									
<b>5 Distribution</b>									
<b>6 Wattage</b>									
<b>7 80 CRI</b>									
<b>8 CCT Selectable</b>									
<b>9 CCT Designation</b>									
<b>10 Mounting</b>									

#### 2 Shape

R	Rectangular
---	-------------

#### 4 Series Designation

1	General Purpose Floodlight
---	----------------------------

#### 7 Distribution

A	NEMA 7H x 7V
---	--------------

#### 8 Mounting

UNV	Universal
-----	-----------

#### 9 CCT Designation

B	3000/4000/5000K
---	-----------------

#### 10 Mounting

K	Knuckle Mount
---	---------------

Y	Yoke Mount
---	------------

### ORDERING EXAMPLES

#### FIXTURE WITH SINGLE FACTORY-INSTALLED ACCESSORY

#### FL-LED-R1A-35-8CSB-KY /515P6

#### FIXTURE WITH NO FACTORY-INSTALLED ACCESSORIES

#### FL-LED-R1A-35-8CSB-KY

#### KEYSTONE FIXTURE

CATALOG NUMBER
FL-LED-R1A-35-8CSB-KY

#### CORD SETS

SUFFIX	CATALOG NUMBER
✓ /515P6	KT-CS-515P-6-18/3