



EXTERNAL DRIVE LED

TYPE C LED TUBES

KT-LED8T5HE-24G-8XX-E / G2

T5HE LED LAMP

DESCRIPTION

8W T5 LED Tube | Type C | 3500-5000K | > 82 CRI | 0-10V Dimming



10 YEAR LIMITED WARRANTY

| |
|--|
| LAMP TYPE: Linear |
| BULB TYPE: T5 LED |
| BASE TYPE: G5 |
| DIMMING TYPE: 0-10V |
| WATTAGE: 8W |
| LAMP INPUT VOLTAGE: 36-45Vdc |
| COLOR TEMPERATURE: 3500-5000K |
| COLOR RENDERING INDEX (CRI): > 82 |



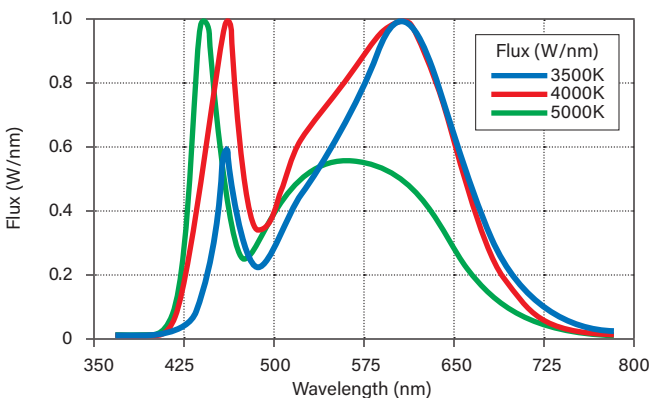
PRODUCT FEATURES

- UL Type C LED tubes, powered by Keystone Type C LED drivers
- UL Classified Std. 1598C
- Glass construction with metal end caps
- Operating temperature: -20°C/-4°F to 45°C/113°F
- THD <15% at full driver load
- PF > 0.90 at full driver load
- 0-10V dimmable
- 70,000+ hours lifetime
- Keystone tube and driver pairing wires either single-ended or double-ended. See wiring diagrams for details and common ballast retrofit scenarios
- Low optical flicker

LAMP SPECIFICATIONS

| Catalog Number | Color Temp. | Driver: KTLD-2LT5HE-UV-8C-VDIM /G2 | | | | | | Driver: KTLD-4LT5HE-UV-8C-VDIM /G2 | | | | | | |
|---------------------------|-------------|------------------------------------|----------------|------------------|---------------------|----------------|------------------|------------------------------------|----------------|------------------|---------------------|----------------|------------------|--------------|
| | | 1 Lamp | | | 2 Lamps | | | 3 Lamps | | | 4 Lamps | | | |
| | | Nominal Input Power | Nominal Lumens | Nominal Efficacy | Nominal Input Power | Nominal Lumens | Nominal Efficacy | Nominal Input Power | Nominal Lumens | Nominal Efficacy | Nominal Input Power | Nominal Lumens | Nominal Efficacy | Power Factor |
| KT-LED8T5HE-24G-835-E /G2 | 3500K | 9W | 1050 lm | 117 lm/W | 18W | 2100 lm | 117 lm/W | 27W | 3150 lm | 117 lm/W | 36W | 4200 lm | 117 lm/W | > 0.9 |
| KT-LED8T5HE-24G-840-E /G2 | 4000K | 9W | 1100 lm | 122 lm/W | 18W | 2200 lm | 122 lm/W | 27W | 3300 lm | 122 lm/W | 36W | 4400 lm | 122 lm/W | > 0.9 |
| KT-LED8T5HE-24G-850-E /G2 | 5000K | 9W | 1100 lm | 122 lm/W | 18W | 2200 lm | 122 lm/W | 27W | 3300 lm | 122 lm/W | 36W | 4400 lm | 122 lm/W | > 0.9 |

SPECTRAL DISTRIBUTION



RATED LIFE

| | |
|-------------|--------|
| L70 (Hours) | 70,000 |
|-------------|--------|

BEAM ANGLE: 160°

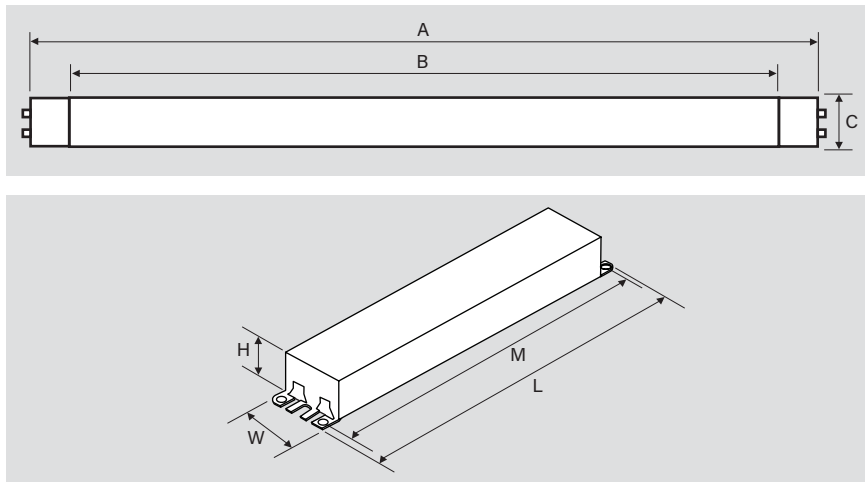
VISIBLE LIGHT AREA: 325°

KT-LED8T5HE-24G-8XX-E / G2
T5HE LED LAMP

DRIVER SPECIFICATIONS

| Catalog Number | Description | Dimensions |
|----------------------------|--|-----------------------|
| KTLD-2LT5HE-UV-8C-VDIM /G2 | Driver for (2) 2' T5HO Type C lamps; 120-277V input, 0-10V dimming | 1.10" x 1.32" x 9.53" |
| KTLD-4LT5HE-UV-8C-VDIM /G2 | Driver for (4) 2' T5HO Type C lamps; 120-277V input, 0-10V dimming | 1.24" x 1.61" x 9.69" |

PHYSICAL CHARACTERISTICS



LAMP DIMENSIONS

| | |
|------------------------|--------|
| A (Body Length) | 21.56" |
| B (Illuminated Length) | 17.63" |
| C (Diameter) | 0.82" |

NOMINAL LENGTH: 24"

BASE TYPE: G5

DRIVER DIMENSIONS

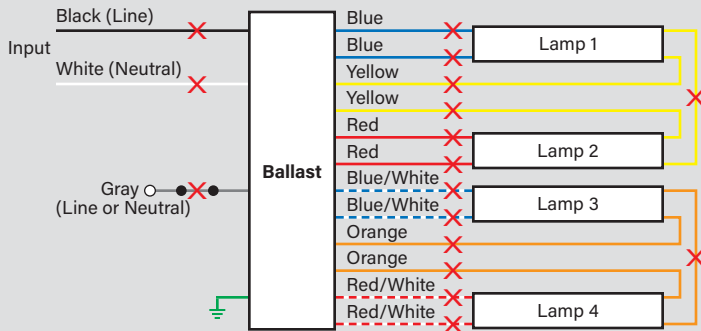
| KTLD-2LT5HE-UV-8C-VDIM /G2 | | KTLD-4LT5HE-UV-8C-VDIM /G2 | |
|----------------------------|-------|----------------------------|-------|
| L (Length) | 9.53" | L (Length) | 9.69" |
| W (Width) | 1.32" | W (Width) | 1.61" |
| H (Height) | 1.10" | H (Height) | 1.24" |
| M (Mounting) | 8.94" | M (Mounting) | 9.09" |

WIRING INSTRUCTIONS

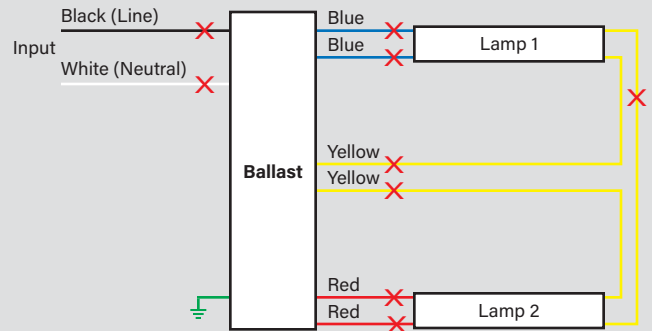
1. Shut off power.
2. Remove existing fluorescent tube(s) and diffuser (if applicable).
3. Open ballast compartment cover, cut all wires (as shown below), and remove existing ballast. Disconnect starter (if applicable).

TYPICAL BALLAST CONFIGURATIONS

4-Lamp Wiring



2-Lamp Wiring



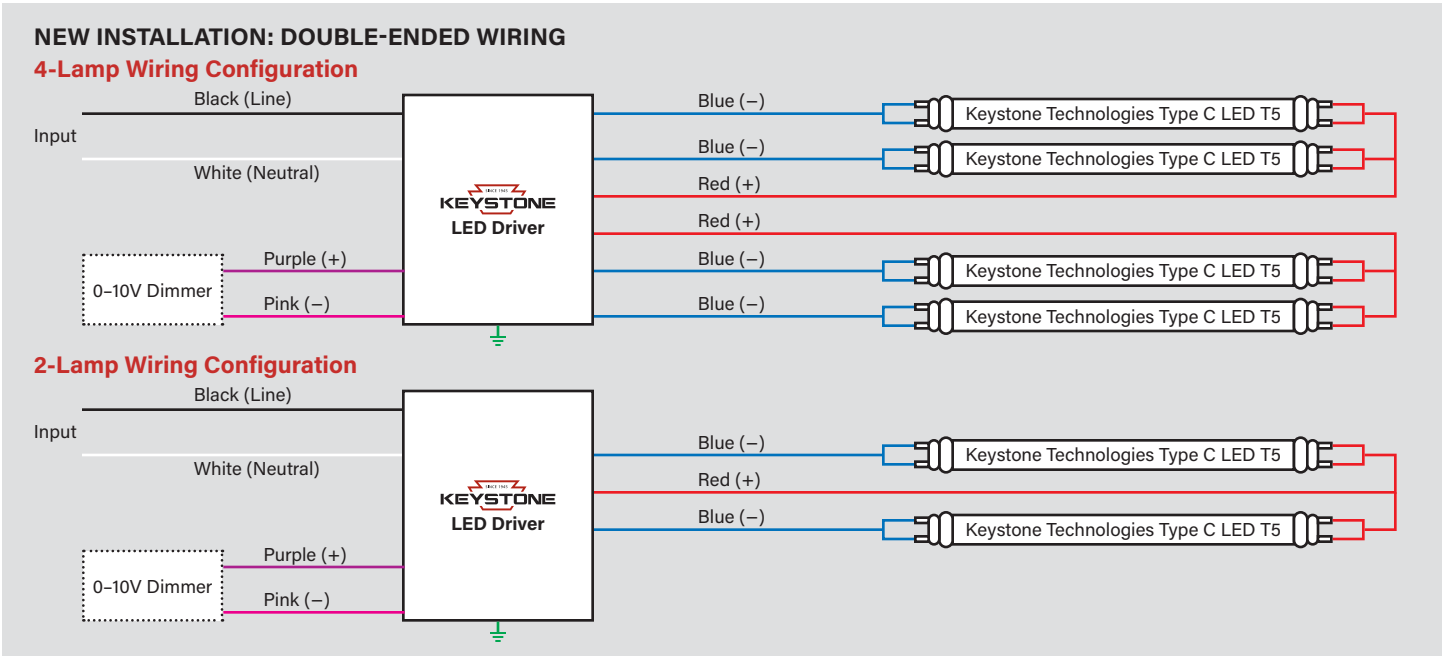
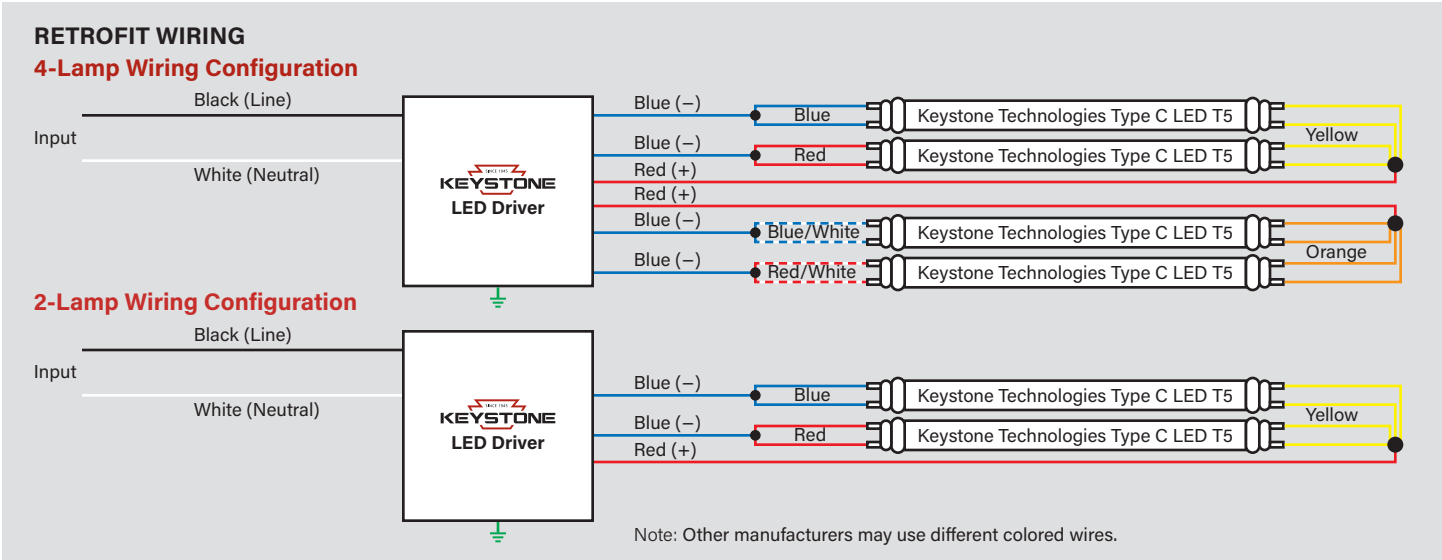
(continued on page 3)

KT-LED8T5HE-24G-8XX-E / G2

T5HE LED LAMP

WIRING INSTRUCTIONS (continued)

4. Check the mounting holes of ballast to see whether they are suitable to install LED driver. If not, drill new holes for mounting. Install LED driver to luminaire using screws.
5. Wire according to diagrams (as shown below). **Note: Do not leave any loose wires exposed.**



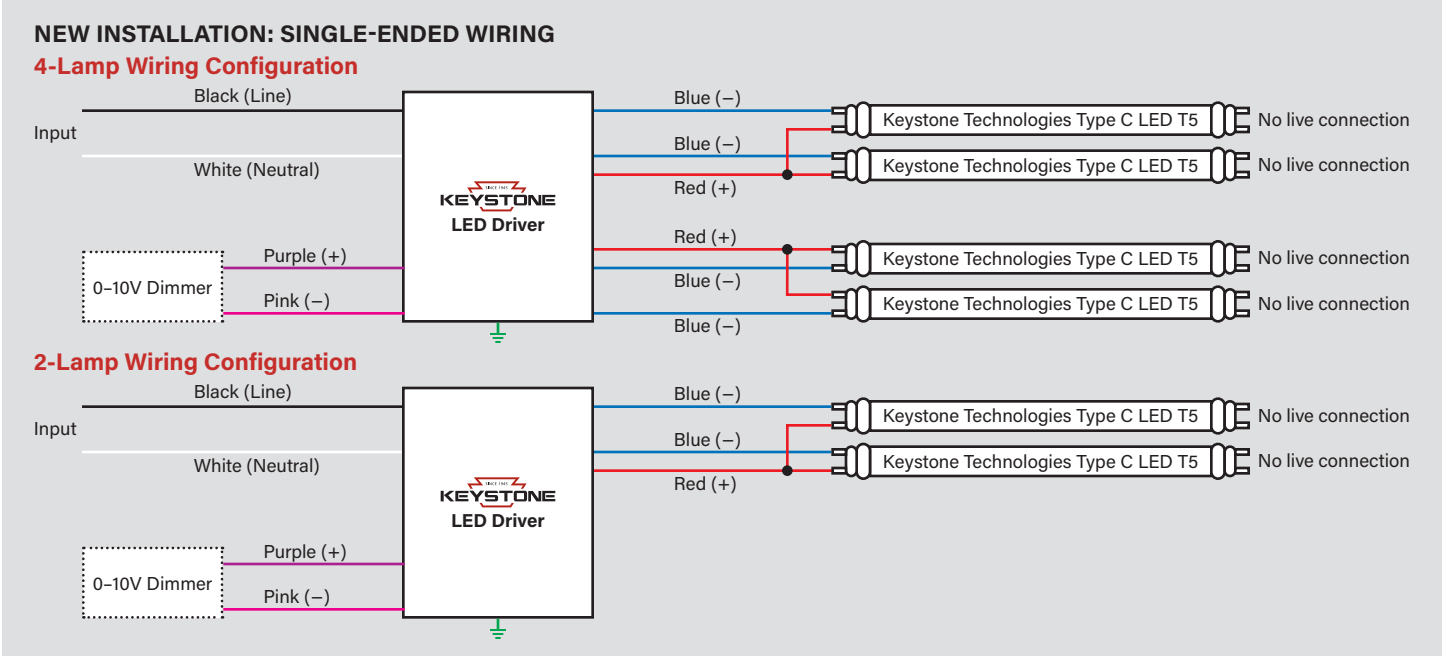
(continued on page 4)



KT-LED8T5HE-24G-8XX-E / G2

T5HE LED LAMP

WIRING INSTRUCTIONS (continued)



Note: In accordance with NEC-20 410.69 2022, all 0-10V negative wires have been updated from gray to pink, Please contact Keystone for details.

6. Close compartment cover and make sure live parts are not accessible. Affix field-applied label in a visible section inside the luminaire.
7. Install the LED tubes and cover the diffuser (if applicable).
8. Turn on power and verify that the tubes are working correctly. **If not, immediately turn off power and contact Keystone Technologies.**

ORDERING INFORMATION

| ORDER CODE | PACK QTY. | UPC | EASY CODE |
|---------------------------|-----------|--------------|-----------|
| KT-LED8T5HE-24G-835-E /G2 | 25 | 843654141121 | HDB-46 |
| KT-LED8T5HE-24G-840-E /G2 | 25 | 843654141138 | DGG-32 |
| KT-LED8T5HE-24G-850-E /G2 | 25 | 843654141145 | SMD-15 |

CATALOG NUMBER BREAKDOWN

KT-LED8T5HE-24G-8XX-E / G2

1
2
3
4
5
6
7
8
9
10

- | | |
|----------------------------------|--------------------------------|
| 1 Keystone Technologies | 6 Glass Construction |
| 2 LED Lamp | 7 CRI |
| 3 Wattage | 8 Color Temperature |
| 4 Lamp Type | 9 External Drive Series |
| 5 Nominal Length (Inches) | 10 Generation 2 |