

KT-LED12T8-U1P-8CSA-E

T8 U-BEND LED LAMP

DESCRIPTION

12W T8 U-Bend LED | Type C | 3500K-5000K | > 80
CRI | 0-10V Dimming

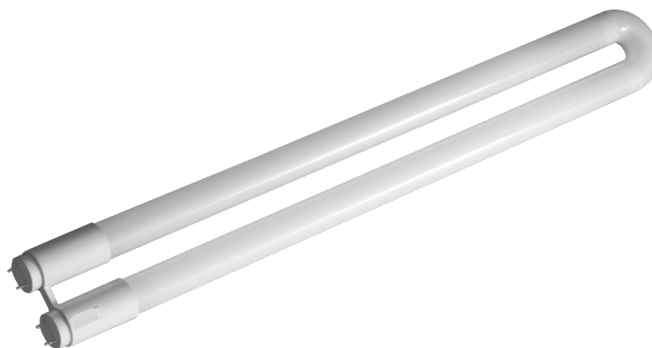


RoHS
Compliant



10 YEAR
LIMITED WARRANTY

LAMP TYPE: U-Bend
BULB TYPE: T8 LED
BASE TYPE: G13 (Medium Bi-Pin)
DIMMING TYPE: 0-10V
WATTAGE: 12W
COLOR TEMPERATURE: 3500K-5000K
COLOR RENDERING INDEX (CRI): > 80



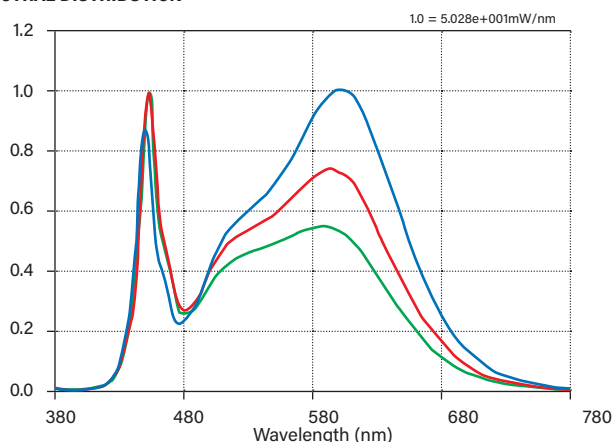
PRODUCT FEATURES

- UL Type C LED tubes, powered by Keystone Type C LED drivers
- UL Classified Std. 1598C
- Plastic construction
- Operating temperature: -20°C/-4°F to 45°C/113°F
- THD <15% at full driver load
- PF > 0.90 at full driver load
- 0-10V dimmable
- 50,000+ hours lifetime
- Keystone tube and driver pairing wires are exactly the same as an Instant Start T8 ballast for quick and easy installation
- Low optical flicker

LAMP SPECIFICATIONS

		Driver: KTLD-1LT8-UV-12C-VDIM /G2			Driver: KTLD-2LT8-UV-12C-VDIM /G2			
		1 Lamp			2 Lamps			
Catalog Number	Color Temp.	Nominal Input Power	Nominal Lumens	Nominal Efficacy	Nominal Input Power	Nominal Lumens	Nominal Efficacy	Power Factor
KT-LED12T8-U1P-8CSA-E	3500K	13W	1700 lm	130 lm/W	26W	3400 lm	130 lm/W	> 0.9
	4000K		1750 lm	134 lm/W		3500 lm	134 lm/W	> 0.9
	5000K		1800 lm	138 lm/W		3600 lm	138 lm/W	> 0.9

SPECTRAL DISTRIBUTION

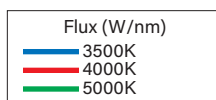


RATED LIFE

L70 (Hours) 50,000

BEAM ANGLE: 220°

VISIBLE LIGHT AREA: 320°





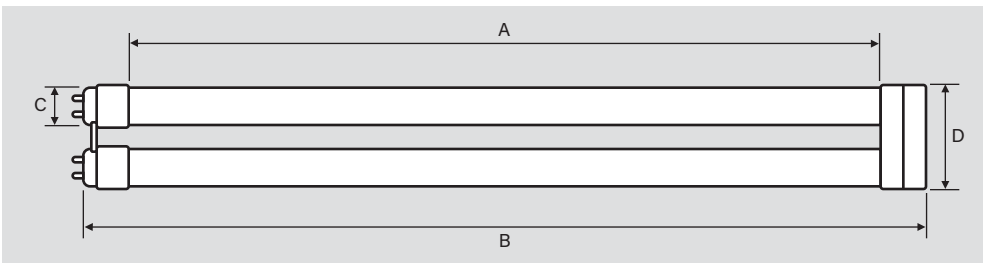
KT-LED12T8-U1P-8CSA-E

T8 U-BEND LED LAMP

DRIVER SPECIFICATIONS

Catalog Number	Description	Dimensions
KTLD-1LT8-UV-12C-VDIM /G2	Driver for (1) T8 U-Bend lamp; 120-277V input, 0-10V dimming; 270mA output current	1.10" × 1.30" × 9.50"
KTLD-2LT8-UV-12C-VDIM /G2	Driver for (2) T8 U-Bend lamps; 120-277V input, 0-10V dimming; 270mA output current	1.10" × 1.33" × 9.50"

PHYSICAL CHARACTERISTICS

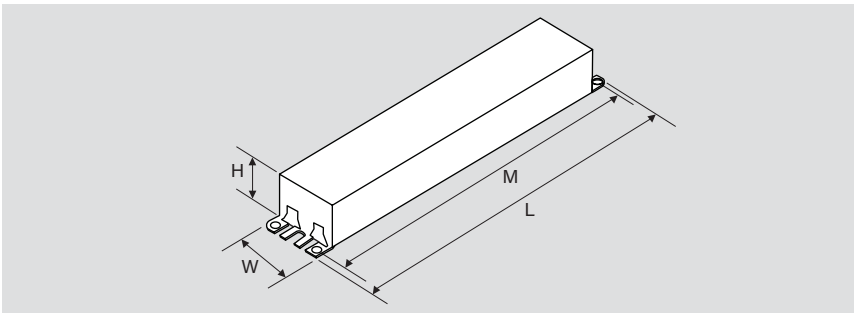


LAMP DIMENSIONS

A (Illuminated Length)	20.30"
B (Body Length)	22.44"
C (Diameter)	1.09"
D (Width)	1.62"

NOMINAL LENGTH: 22.44"

BASE TYPE: G13 (Medium Bi-Pin)



DRIVER DIMENSIONS

	KTLD-1LT8-UV-12C-VDIM /G2	KTLD-2LT8-UV-12C-VDIM /G2
Length (L)	9.50"	Length (L) 9.50"
Width (W)	1.30"	Width (W) 1.30"
Height (H)	1.10"	Height (H) 1.10"
Mounting (M)	8.90"	Mounting (M) 8.90"



EXTERNAL DRIVE LED

TYPE C LED TUBES

KT-LED12T8-U1P-8CSA-E

T8 U-BEND LED LAMP

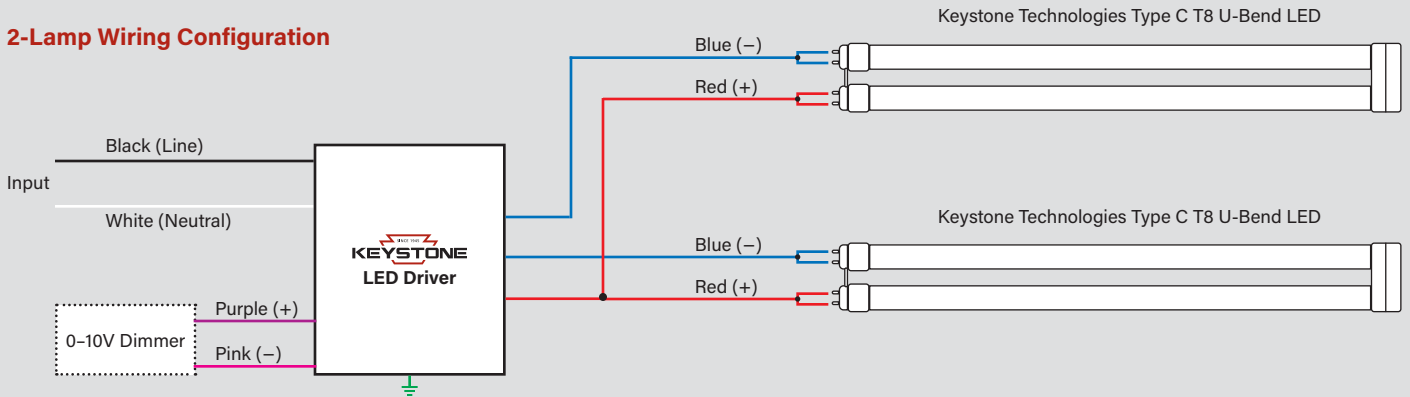
WIRING INSTRUCTIONS

1. Shut off power.
2. Wire according to diagrams (as shown below). **Note: Do not leave any loose wires exposed.**

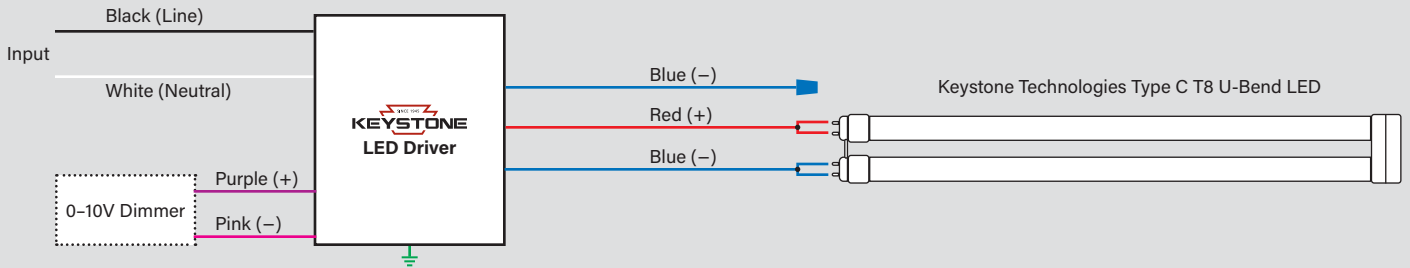
(continued on page 4)

NEW INSTALLATION: DOUBLE-ENDED WIRING

2-Lamp Wiring Configuration



1-Lamp Wiring Configuration

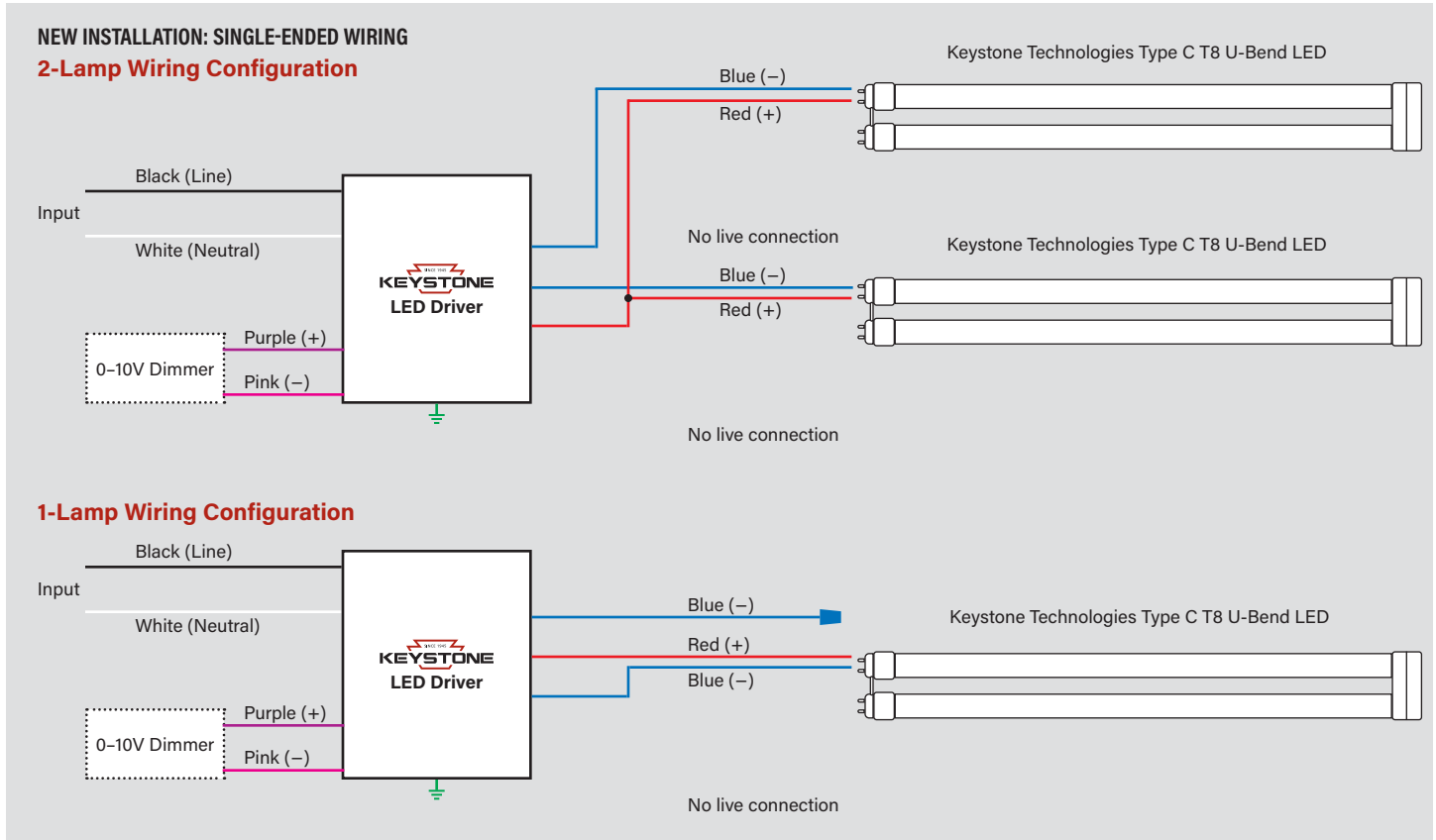




KT-LED12T8-U1P-8CSA-E

T8 U-BEND LED LAMP

WIRING INSTRUCTIONS (continued)



3. Close compartment cover and make sure live parts are not accessible. Affix field-applied label in a visible section inside the luminaire.
4. Install the LED tubes and cover the diffuser (if applicable).
5. Turn on power and verify that the tubes are working correctly. **If not, immediately turn off power and contact Keystone Technologies.**

ORDERING INFORMATION

Order Code	Pack Qty.	UPC	Easy Code	DLC PRODUCT ID
KT-LED12T8-U1P-8CSA-E	25	843654141015	FVX-25	S-OKL96Q

CATALOG NUMBER BREAKDOWN

KT-LED12T8-U1P-8CSA-E

1 2 3 4 5 6 7 8 9

- | | |
|-------------------------|-------------------------|
| 1 Keystone Technologies | 6 Plastic Construction |
| 2 LED Lamp | 7 80 CRI |
| 3 Wattage | 8 Color Temperature |
| 4 Lamp Type | 9 External Drive Series |
| 5 Nominal Size | |