



KT-LED10.5T8-48GC-8XX-D-VDIM

T8 LED LAMP

DESCRIPTION

10.5W T8 LED | 3500-5000K | > 83 CRI |
High-Efficiency | Single-Ended Wiring



10 YEAR
LIMITED WARRANTY

LAMP TYPE: Linear
BULB TYPE: T8 LED
BASE TYPE: G13 (Medium Bi-Pin)
WATTAGE: 10.5W
COLOR TEMPERATURE: 3500-5000K
COLOR RENDERING INDEX (CRI): > 83
WARRANTY: 10 Years



PRODUCT FEATURES

- Replacement for conventional F32T8 fluorescent lamp
- Single-ended wiring
- Instant startup
- Frosted lens eliminates pixelation
- Improved lamp durability with shatterproof coated glass
- Integral driver (isolated) eliminates the need for external driver or ballast
- Approximately 40% more energy efficient than standard F32T8 lamps
- ETL Sanitation Listed NSF/ANSI Standard 2 — Food equipment
- 0-10V dimming to below 10%
- Environmentally friendly: No mercury used
- Operating temperature: -20°C/-4°F to 45°C/113°F
- 50,000+ hour lifetime
- UL Classified
- DLC Listing; Meets DLC 5.1 requirements
- Lamp is dimmable when used with an appropriate dimming accessory (purchased separately). Contact Keystone for more details to find out what is best for the intended application

PERFORMANCE SPECIFICATIONS

Catalog Number	Input Voltage	Input Current	Wattage	Color Temperature	Lumen Output	Efficacy	CRI	Power Factor
KT-LED10.5T8-48GC-835-D-VDIM	120-277V	0.12A @ 120V; 0.05A @ 277V	10.5W	3500K	1650	157 lm/W	> 83	> 0.9
KT-LED10.5T8-48GC-840-D-VDIM				4000K	1700	162 lm/W		
KT-LED10.5T8-48GC-850-D-VDIM				5000K	1700	162 lm/W		

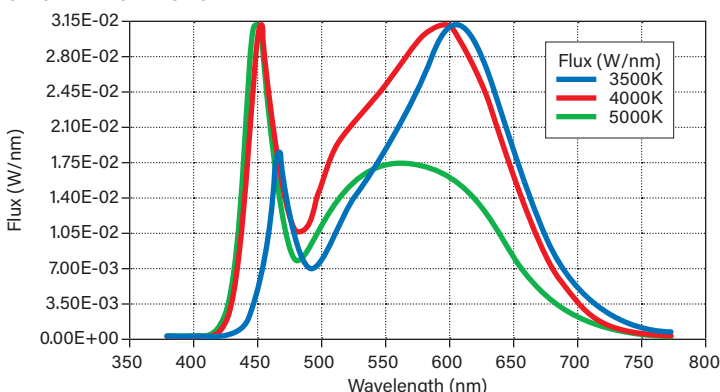
OPERATING SPECIFICATIONS

PHOTOMETRIC CHARACTERISTICS

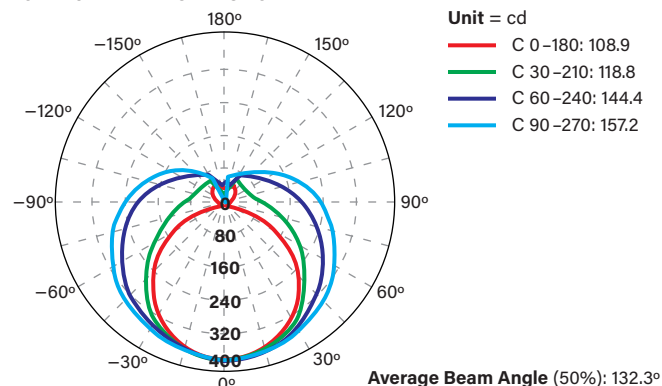
Beam Angle	132.3°	Visible Light Area	325°	Length	48"	Wiring	Single-ended	Rated Life (L70)	50,000 hours
-------------------	--------	---------------------------	------	---------------	-----	---------------	--------------	-------------------------	--------------

MECHANICAL CHARACTERISTICS

SPECTRAL DISTRIBUTION



POLAR CANDELA DISTRIBUTION



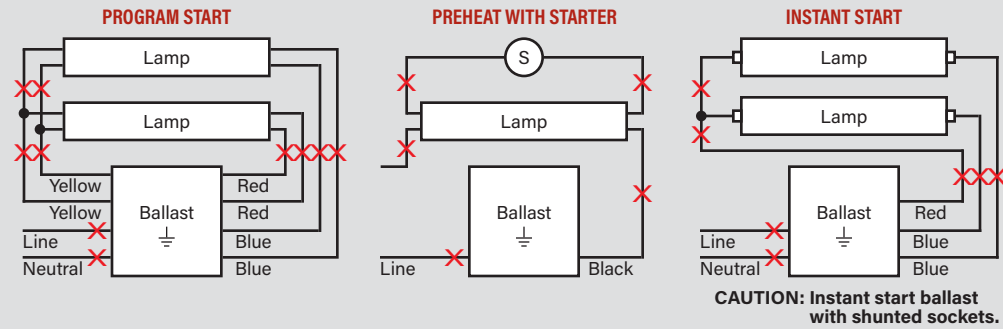
KT-LED10.5T8-48GC-8XX-D-VDIM
T8 LED LAMP

WIRING DIAGRAMS

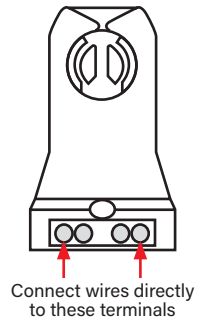
Cut all existing connections to ballast as shown below and remove ballast.

Note: Both single-ended wiring without dimming and single-ended wiring with dimming require non-shunted lampholders.

Typical Ballast Configurations

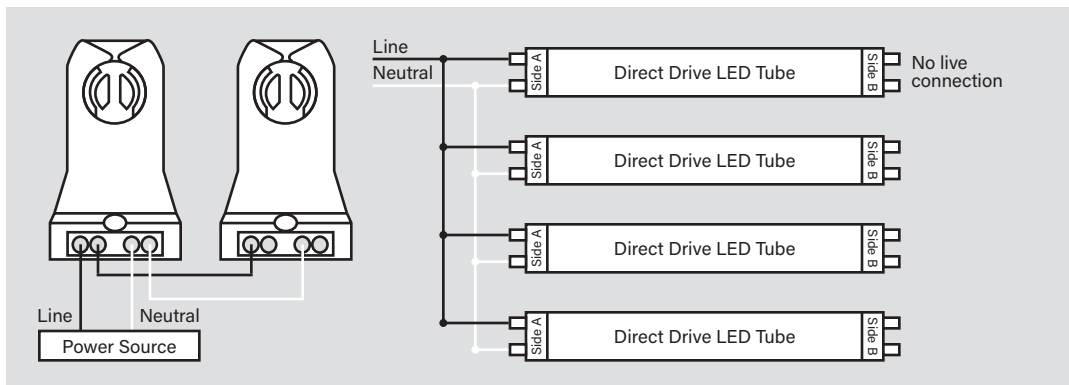


TYPICAL NON-SHUNTED LAMPHOLDER



CAUTION: USE ONLY NON-SHUNTED LAMPHOLDERS.

Single-ended wiring without dimming: Re-wire fixture as shown below.

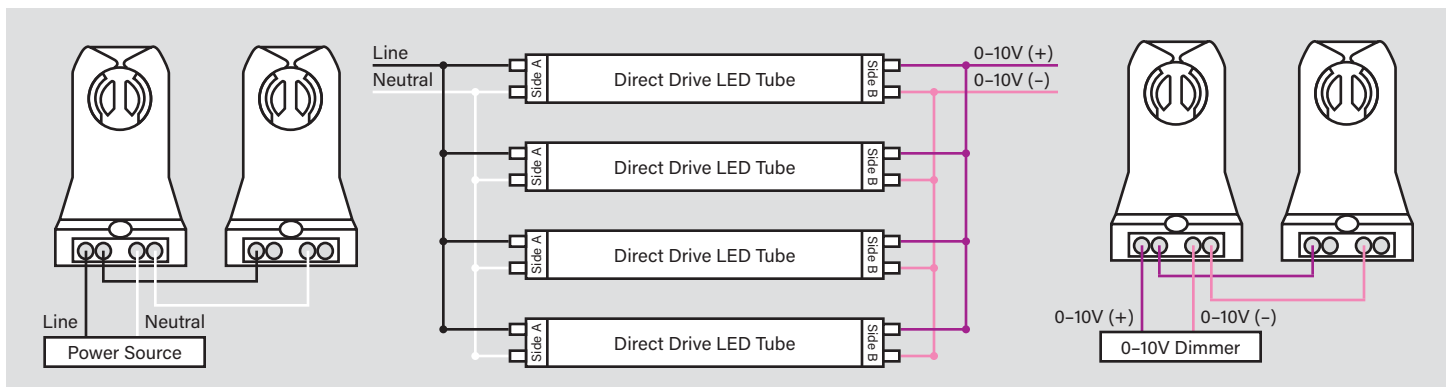


Do not install product in a fixture with shunted lampholders (found in all fixtures using instant start ballasts). If the current lampholders are shunted, remove them and replace them with non-shunted lampholders. Make new connections directly to terminals as indicated in wiring diagrams.

Keystone can provide any style replacement lampholders.

Call us at 800-464-2680.

Single-ended wiring with dimming: Re-wire fixture as shown below.



Note: There should not be any exposed wires at the end of installation.

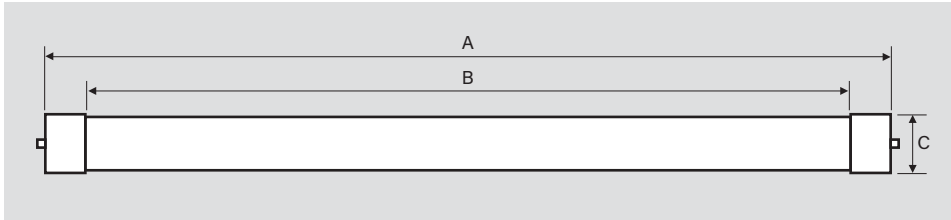


DIRECT DRIVE LED
LINE VOLTAGE T8 TUBES

KT-LED10.5T8-48GC-8XX-D-VDIM

T8 LED LAMP

PHYSICAL CHARACTERISTICS



LAMP DIMENSIONS

A (Body Length)	47.15"
B (Illuminated Length)	42.63"
C (Diameter)	1.10"

NOMINAL LENGTH: 48"

BASE TYPE: G13 (Medium Bi-Pin)

ORDERING INFORMATION

ORDER CODE	CARTON QUANTITY	UPC	EASY CODE	DLC PRODUCT ID
KT-LED10.5T8-48GC-835-D-VDIM	25	843654136462	FSE-77	PXC9MTR3
KT-LED10.5T8-48GC-840-D-VDIM	25	843654136479	GMF-80	POYSPU7Z
KT-LED10.5T8-48GC-850-D-VDIM	25	843654136486	OOS-72	PU2SYGIQ

CATALOG NUMBER BREAKDOWN

KT-LED10.5T8-48GC-8XX-D-VDIM

1 2 3 4 5 6 7 8 9 10

- 1 Keystone Technologies
- 2 LED Lamp
- 3 Wattage
- 4 Lamp Type
- 5 Nominal Length (Inches)
- 6 Coated Glass
- 7 >80 CRI
- 8 Color Temperature
- 9 Direct Drive Series
- 10 0-10V Dimming