



# SMART PORT LED

## KTS-MW1-12V-AUX

### SMART PORT LED MICROWAVE OCCUPANCY SENSOR

## INSTALLATION AND OPERATING INSTRUCTIONS

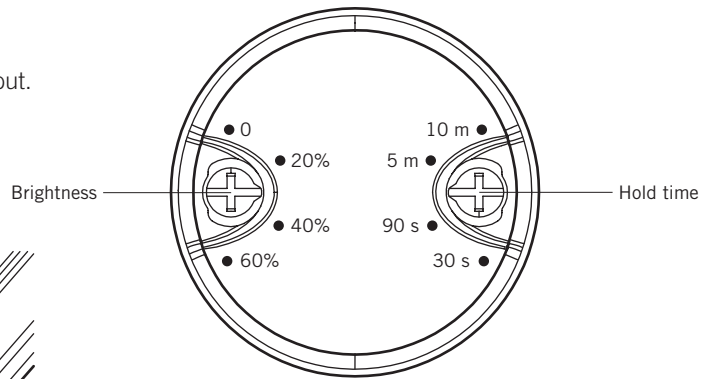
**Read and understand all warnings and notes stated below before proceeding with installation.**

- Operating temperature: -20°C/-4°F to 60°C/140°F
- Do not use with enclosed metal luminaire.
- Do not expose directly to water.
- Not for outdoor use.
- Use only one module per lamp.

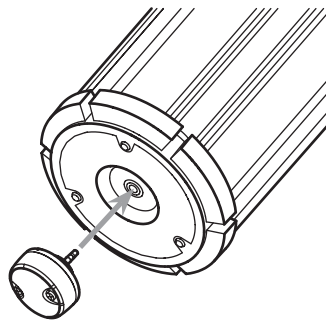


### PRE-INSTALLATION PROGRAMMING

1. Set Microwave Occupancy Sensor brightness and hold time:
  - a. Brightness (Light level output when sensing no motion)
    - Set standby dimming level to 0/20%/40%/60% of full light output.
  - b. Hold time (Time from light trigger until no motion is detected)
    - Set time duration until sensor triggers standby light level (30 seconds/90 seconds/5 minutes/10 minutes).



2. Plug the Microwave Occupancy Sensor into Smart Port.
  - Insert 3.5mm AUX into the Smart Port on Keystone's Smart Port LED compatible lamps.



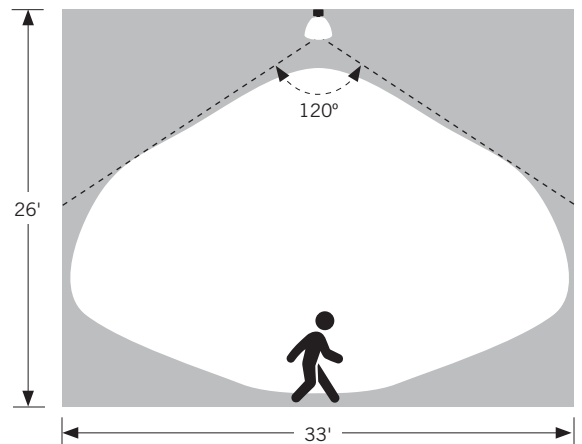
### INSTALLATION

1. Plug in and turn on the LED lamp with the installed Microwave Occupancy Sensor.
  - a. Lamp will be illuminated at 100% brightness.
2. Wait for preset hold time (30 seconds/90 seconds/5 minutes/10 minutes).
  - a. If no motion is detected, lamp will be turned down to 0-60% brightness, depending on your preset brightness level (0/20%/40%/60%).
  - b. If motion is detected, lamp will stay turned on at 100% brightness.

### APPLICATIONS

- |              |                |
|--------------|----------------|
| • Corridors  | • Doorways     |
| • Stairwells | • Parking lots |
| • Restrooms  | • Gas stations |
| • Courtyards | • Warehouses   |

### MICROWAVE OCCUPANCY SENSOR DETECTION AREA



**SAVE THESE INSTRUCTIONS**