



PRODUCT FEATURES

- ANSI Designation: M57 or H39
- Line Voltage: 120/208/240/277
- Regulation: 10%
- Frequency: 60 Hz
- Recommended Fuse (A): 5/3/3/2
- Circuit Type: CWA (Without Ignitor)
- Insulation Class: 180°C
- Capacitor Value: 10 MF
- Capacitor Voltage Rating: 400 V
- Capacitor Temperature Rating: 90°C
- Winding Materials: Cu/Al
- Lamp Starter: N/A
- Agency Certification: RU, cRU
- Maximum Distance to Lamp: N/A
- 2 Year Warranty

LAMP TYPE: 175W MH

INPUT VOLTAGE: Quad Tap (120/208/240/277)

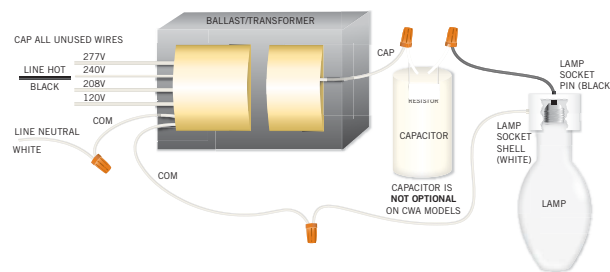
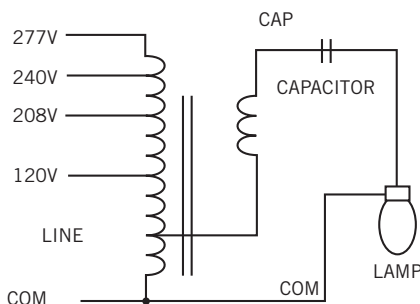
CIRCUIT TYPE: CWA (Without Ignitor)

ELECTRICAL SPECIFICATIONS

LINE VOLT (V)	POWER FACTOR	LINE CURRENT			INPUT POWER (W)	OPEN CIRCUIT VOLTAGE (V)	MINIMUM START TEMP	UL TEMP CODE	WIRING DIAGRAM
		OPERATING	OPEN	START					
120	High	1.86	1.82	1.31	213	303	-30°C	B	H2
208	High	1.07	1.06	0.79	213	303	-30°C	B	H2
240	High	0.93	0.92	0.66	213	303	-30°C	B	H2
277	High	0.81	0.79	0.56	213	303	-30°C	B	H2

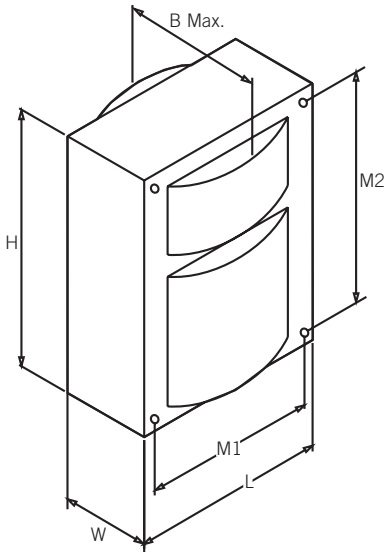
WIRING DIAGRAMS

DIAGRAM H2



COLORS SHOWN REPRESENT THE MOST COMMON CONFIGURATION. HOWEVER, DEPENDING ON THE APPLICATION AND LOCAL CODE, SLIGHT DIFFERENCES MAY EXIST.

CASE STYLE/DIMENSIONS



OVERALL DIMENSIONS

LENGTH: 2.80"
WIDTH: 2.42"
HEIGHT: 3.94"
B MAX: 3.82"

MOUNTING HOLES

DIAMETER: 0.25"
M1: 2.44"
M2: 3.50"

BRACKET DIMENSIONS

LENGTH: 5.50"
WIDTH: 1.25"

LEAD LENGTH: 12-14"

BALLAST NET WEIGHT: 6.83 lbs



CAPACITOR INFO

WATTAGE: 175
MICROFARAD: 10
VOLTAGE: 400
TYPE: Dry Film

ORDERING INFORMATION

ORDER CODE	PACKAGING STYLE	PACK QTY.	ITEM STATUS
MH-175A-Q-KIT		1	Quick Ship
*Kit Includes: Pre-Wired Ballast, Capacitor, Mounting Brackets, Mounting Hardware			

CATALOG NUMBER BREAKDOWN

MH-175A-Q-KIT

