

# KT-RDLEDXXPS-XXA-XCSX-VDIM

## LED RECESSED DOWNLIGHT

### INSTALLATION INSTRUCTIONS

PLEASE FIND A QUALIFIED ELECTRICIAN FOR INSTALLATION. Please read the instructions before installation and use.

#### WARNING

- Before installing, servicing, or performing routine maintenance upon this equipment, follow these general precautions.
- Risk of fire or electric shock. LED retrofit kit installation requires knowledge of luminaire electrical systems.
- If not qualified, do not attempt installation; contact a qualified electrician.
- Risk of fire or electric shock. Install this kit only in luminaires that have the construction features and dimensions shown in the photographs and/or drawings and where the input rating of the retrofit kit does not exceed the input rating of the luminaire.
- To reduce the risk of death, personal injury or property damage from fire, electric shock, failing parts, cuts/abrasions, and other hazards, read all warnings and instructions with and on the fixture box and all fixture labels.
- Installers should not disconnect existing wires from lampholder terminals to make new connections at lampholder terminals. Instead, installers should cut existing lampholder leads away from the lampholder and make new electrical connections to lampholder lead wires by employing applicable connectors.
- This retrofit kit is accepted as a component of a luminaire where the suitability of the combination shall be determined by authorities having jurisdiction.
- To prevent wiring damage or abrasion, do not expose wiring to edges of sheet metal or other sharp objects.
- Do not make or alter any open holes in an enclosure of wiring or electrical components during kit installation.

#### WARNING

- Turn off electrical power at fuse or circuit breaker box before wiring fixture to the power supply.
- Turn off the power when you perform any maintenance.
- Verify that supply voltage is correct by comparing it with the luminaire label information.
- This device is not intended for use with emergency exits.

#### CAUTION

- Avoid direct eye exposure to the light source while it is on.
- Account for small parts and destroy packing material, as these may be hazardous to children.
- Risk of burn. Disconnect power and allow fixture to cool before changing bulb or handling fixture.

#### NOTES

- Specifications and dimensions subject to change without notice.
- Suitable for wet locations.

#### NOTE

This equipment has been tested and found to comply with the limits for a Class B digital device, pursuant to Part 15 of the FCC Rules. These limits are designed to provide reasonable protection against harmful interference in a residential installation. This equipment generates, uses and can radiate radio interference energy and, if not installed and used in accordance with the instructions, may cause harmful interference to radio communications. However, there is no guarantee that interference will not occur in a particular installation. If this equipment does cause harmful interference to radio or television reception, which can be determined by turning the equipment off and on, the user is encouraged to try to correct the interference by one or more of the following measures:

- Reorient or relocate the receiving antenna.
- Increase the separation between the equipment and receiver.
- Connect the equipment into an outlet on a circuit different from that to which the receiver is connected.
- Consult the dealer or an experienced radio/TV technician for help.

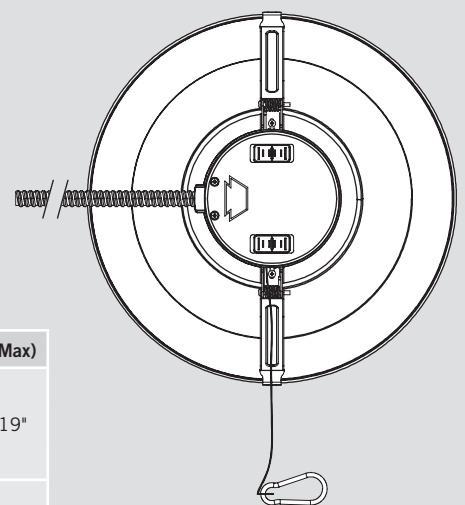
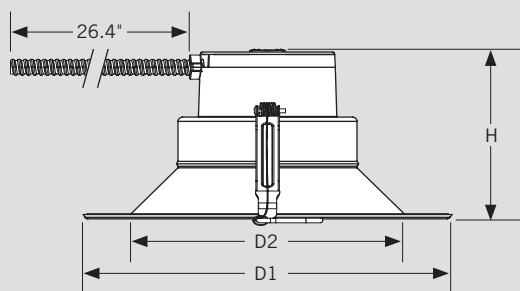
**Caution:** Before installing, make certain that AC power to the fixture is off.

#### COMPONENTS INCLUDED IN KIT

Part	Quantity
LED Recessed Downlight	1
Installation Hole Template	1



#### DIMENSIONS

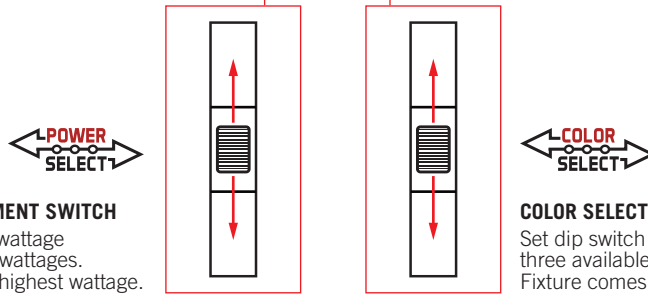
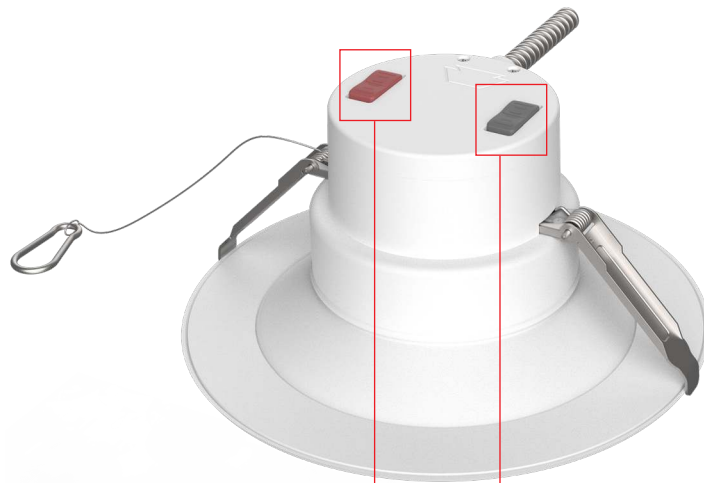


Catalog Number	Size	D1 (Diameter 1)	D2 (Diameter 2)	H (Height)	Cut-Out (Min to Max)
KT-RDLED18PS-6A-8CSG-VDIM	6"	8.44"	5.88"	4.44"	Ø6.13" to Ø7.19"
KT-RDLED18PS-6A-8CSE-VDIM					
KT-RDLED18PS-6A-9CSE-VDIM					
KT-RDLED29PS-8A-8CSG-VDIM	8"	10.06"	7.38"	4.75"	Ø7.56" to Ø8.69"
KT-RDLED29PS-8A-8CSE-VDIM					
KT-RDLED29PS-8A-9CSE-VDIM					
KT-RDLED38PS-10A-8CSG-VDIM	10"	11.38"	8.69"	5.25"	Ø8.88" to Ø10.00"
KT-RDLED38PS-10A-8CSE-VDIM					
KT-RDLED38PS-10A-9CSE-VDIM					

**POWER SELECT (WATTAGE) AND COLOR SELECT (CCT) ADJUSTMENT**

This fixture is equipped with field-adjustable Keystone Power Select and Color Select technology.

1. Ensure power is off to the fixture.
2. Adjust dip switches to desired settings.



**POWER SELECT ADJUSTMENT SWITCH**  
Set dip switch to adjust wattage between three available wattages. Fixture comes preset at highest wattage.

**COLOR SELECT ADJUSTMENT SWITCH**  
Set dip switch to adjust CCT between three available CCTs. Fixture comes preset at highest CCT.

**KT-RDLED18PS-6A-8CSG-VDIM**

Wattage	CCT
18.5W	2700K
13W	3500K
9W	5000K

**KT-RDLED29PS-8A-8CSG-VDIM**

Wattage	CCT
29W	2700K
23W	3500K
16.5W	5000K

**KT-RDLED38PS-10A-8CSG-VDIM**

Wattage	CCT
37.5W	2700K
29.5W	3500K
21W	5000K

**KT-RDLED18PS-6A-8CSE-VDIM**

Wattage	CCT
18.5W	3000K
13W	3500K
9W	4000K

**KT-RDLED29PS-8A-8CSE-VDIM**

Wattage	CCT
29W	3000K
23W	3500K
16.5W	4000K

**KT-RDLED38PS-10A-8CSE-VDIM**

Wattage	CCT
37.5W	3000K
29.5W	3500K
21W	4000K

**KT-RDLED18PS-6A-9CSE-VDIM**

Wattage	CCT
18.5W	3000K
13W	3500K
9W	4000K

**KT-RDLED29PS-8A-9CSE-VDIM**

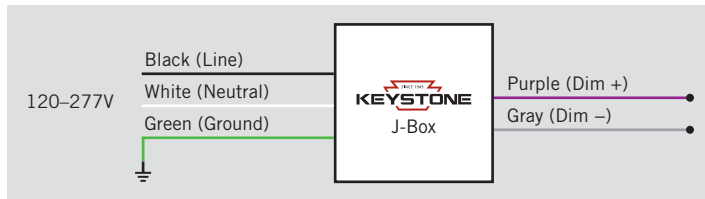
Wattage	CCT
29W	3000K
23W	3500K
16.5W	4000K

**KT-RDLED38PS-10A-9CSE-VDIM**

Wattage	CCT
37.5W	3000K
29.5W	3500K
21W	4000K

## INSTALLATION INSTRUCTIONS

### WIRING DIAGRAM



### RETROFIT INSTALLATION

**1. Shut off power at the source of the fixture housing into which you are installing fixture.**

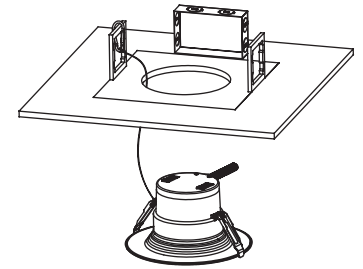
Remove existing trim and CFL or incandescent bulb.

*Note:* Follow all federal and local regulations when disposing of lamps and removed components.

**2. Measure ceiling opening to ensure that the edge of the luminaire will cover the entire opening and still sit firmly in the ceiling (see *Dimensions* on page 1).**

**3. Select desired Wattage and CCT using adjustment switches on fixture (see *Power Select (Wattage) and Color Select (CCT) Adjustment* on page 2).**

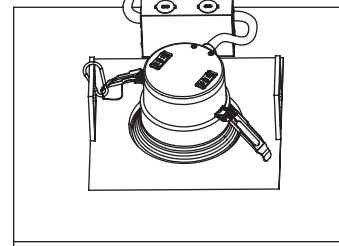
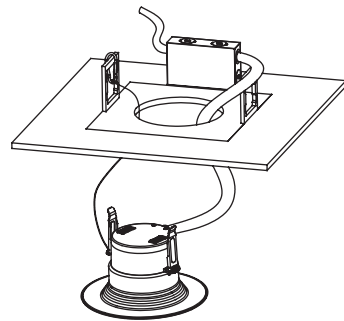
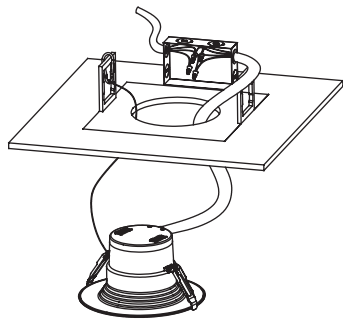
**4. Attach carabiner safety clip to the existing fixture housing.**



**5. Insert lamp conduit into J-box and wire to power source (see *Wiring Diagram* above). Reattach J-box cover when done.**

**6. Squeeze the two housing clips so they are in an upright position and then insert lamp into housing.**

**7. Once lamp is inside housing, release housing clips and continue to push lamp into housing until securely fixed and flush with ceiling. Restore power.**



### NEW-CONSTRUCTION INSTALLATION\*

**1. Shut off power at the source of the fixture housing into which you are installing fixture.**

**2. Create ceiling opening to ensure that the edge of the luminaire will cover the entire opening and still sit firmly in the ceiling (see *Dimensions* on page 1).**

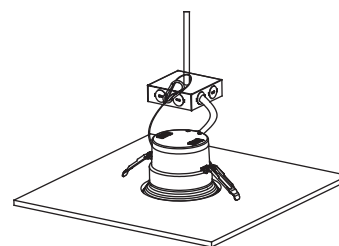
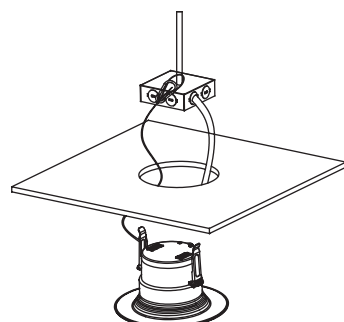
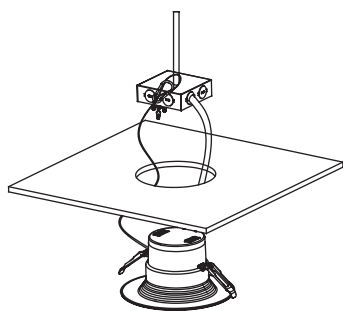
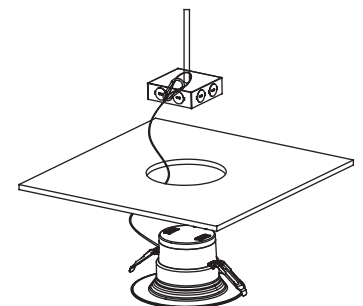
**3. Select desired Wattage and CCT using adjustment switches on fixture (see *Power Select (Wattage) and Color Select (CCT) Adjustment* on page 2).**

**4. Attach carabiner safety clip to secure location in ceiling.**

**5. Insert lamp conduit into J-box and wire to power source (see *Wiring Diagram* above). Reattach J-box cover when done.**

**6. Squeeze the two housing clips so they are in an upright position and then insert lamp into opening.**

**7. Once lamp is inside opening, release housing clips and continue to push lamp into opening until securely fixed and flush with ceiling. Restore power.**

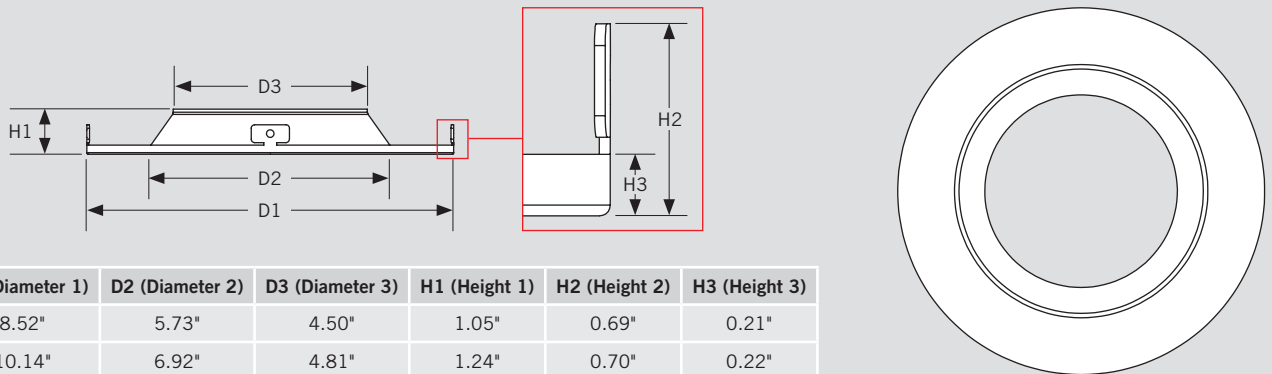


\* Keystone offers an optional new-construction plate for both new joist and T-grid installations. See *Optional Accessories (sold separately)* on pages 6 and 7.

**OPTIONAL ACCESSORIES** (sold separately)

**INTERCHANGEABLE TRIM RING FOR LED RECESSED DOWNLIGHTS**

**Dimensions**

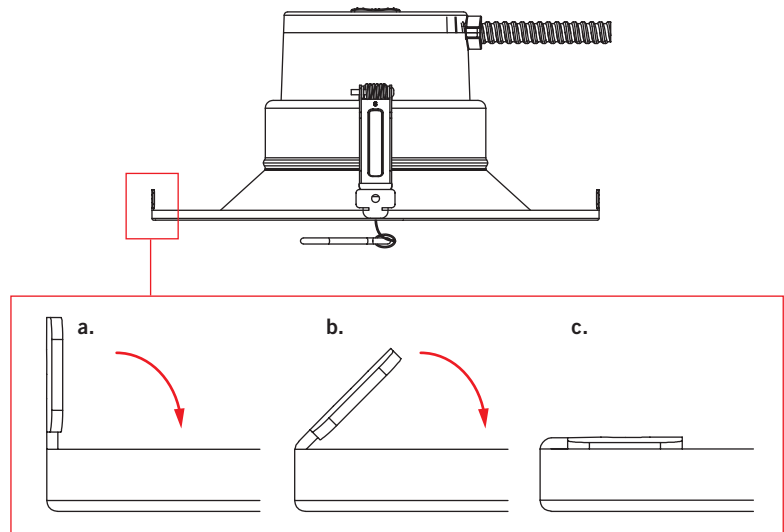
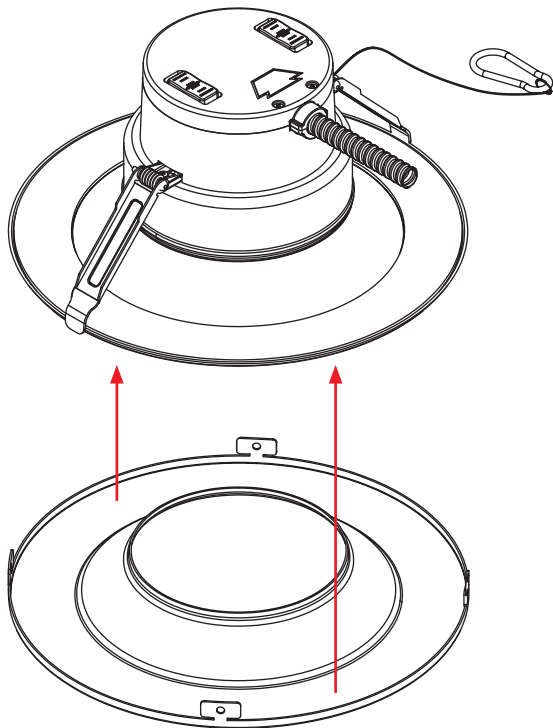


Size	D1 (Diameter 1)	D2 (Diameter 2)	D3 (Diameter 3)	H1 (Height 1)	H2 (Height 2)	H3 (Height 3)
6"	8.52"	5.73"	4.50"	1.05"	0.69"	0.21"
8"	10.14"	6.92"	4.81"	1.24"	0.70"	0.22"
10"	11.48"	8.43"	5.39"	1.69"	0.70"	0.22"

**Installation**

1. Clamp trim ring over fixture trim.

2. Secure trim ring to lighting fixture by bending tabs until trim ring is flush with trim.



**Ordering Information**

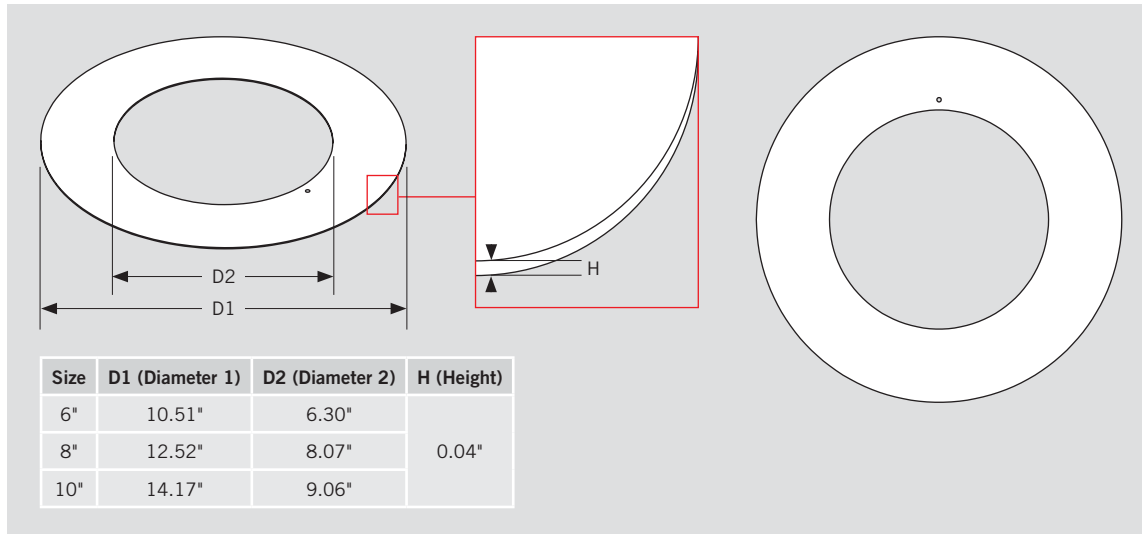
Catalog Number	Description	UPC	Easy Code
KT-RDLED-6A-MB-TRIM	6" Interchangeable trim for 6" LED recessed downlights; Matte black	843654137155	TCP-85
KT-RDLED-6A-BN-TRIM	6" Interchangeable trim for 6" LED recessed downlights; Brushed nickel	843654137186	CZZ-70
KT-RDLED-6A-BR-TRIM	6" Interchangeable trim for 6" LED recessed downlights; Bronze	843654137216	CUN-05
KT-RDLED-8A-MB-TRIM	8" Interchangeable trim for 8" LED recessed downlights; Matte black	843654137162	XEY-99
KT-RDLED-8A-BN-TRIM	8" Interchangeable trim for 8" LED recessed downlights; Brushed nickel	843654137193	VKJ-61
KT-RDLED-8A-BR-TRIM	8" Interchangeable trim for 8" LED recessed downlights; Bronze	843654137223	MSA-34
KT-RDLED-10A-MB-TRIM	10" Interchangeable trim for 10" LED recessed downlights; Matte black	843654137179	HWB-59
KT-RDLED-10A-BN-TRIM	10" Interchangeable trim for 10" LED recessed downlights; Brushed nickel	843654137209	NLB-18
KT-RDLED-10A-BR-TRIM	10" Interchangeable trim for 10" LED recessed downlights; Bronze	843654137230	KSN-09

*Optional Accessories continued on next page*

**OPTIONAL ACCESSORIES** (sold separately) (continued)

**GOOF RING FOR LED RECESSED DOWNLIGHTS**

**Dimensions**

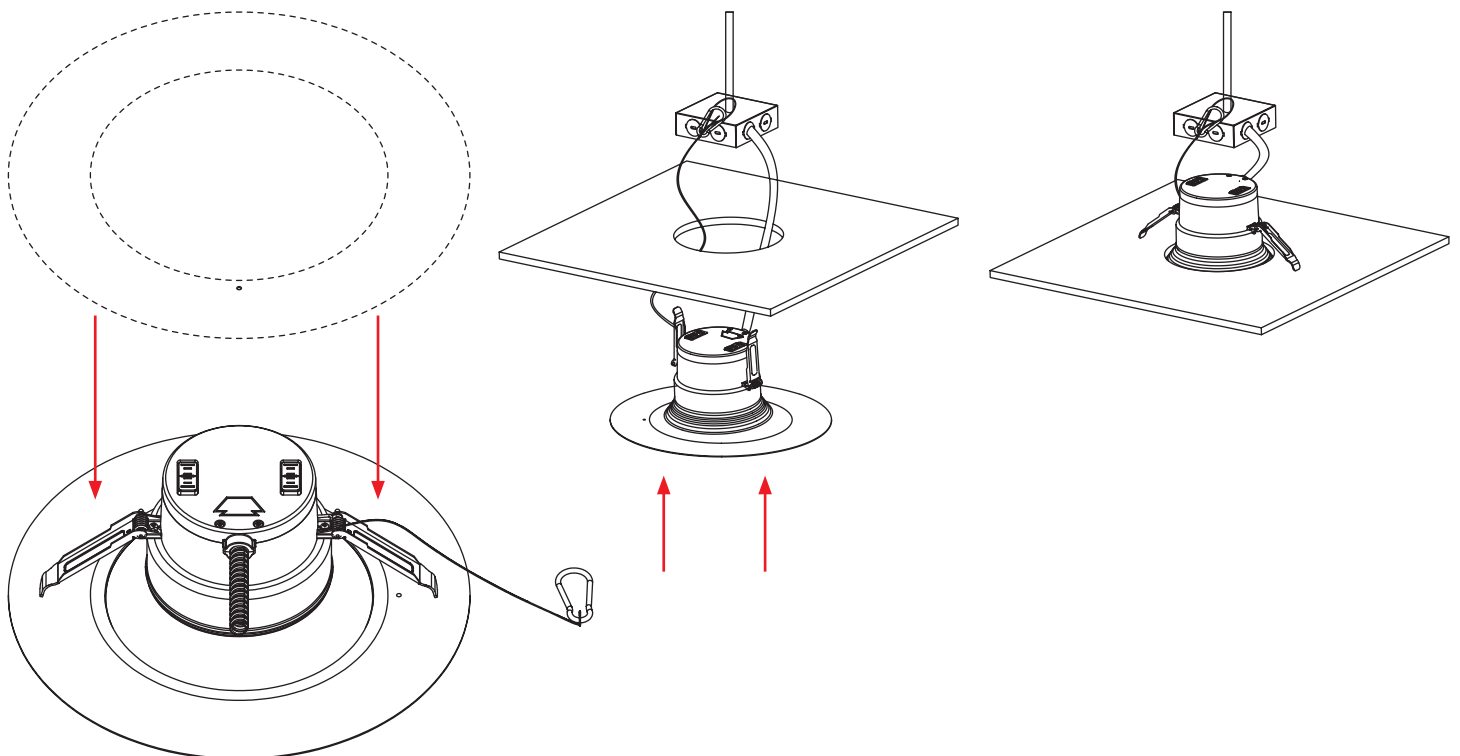


**Installation**

1. Slide goof ring over fixture.

2. Squeeze the two housing clips so they are in an upright position and then insert lamp into opening.

3. Once lamp is inside opening, release housing clips and continue to push lamp into opening until securely fixed and flush with ceiling.



**Ordering Information**

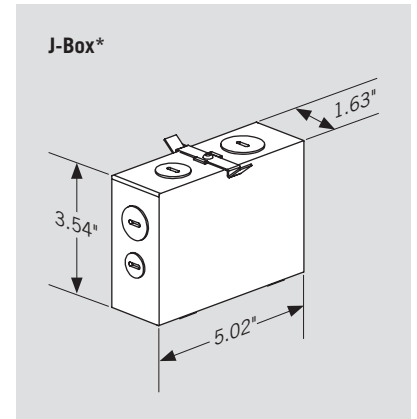
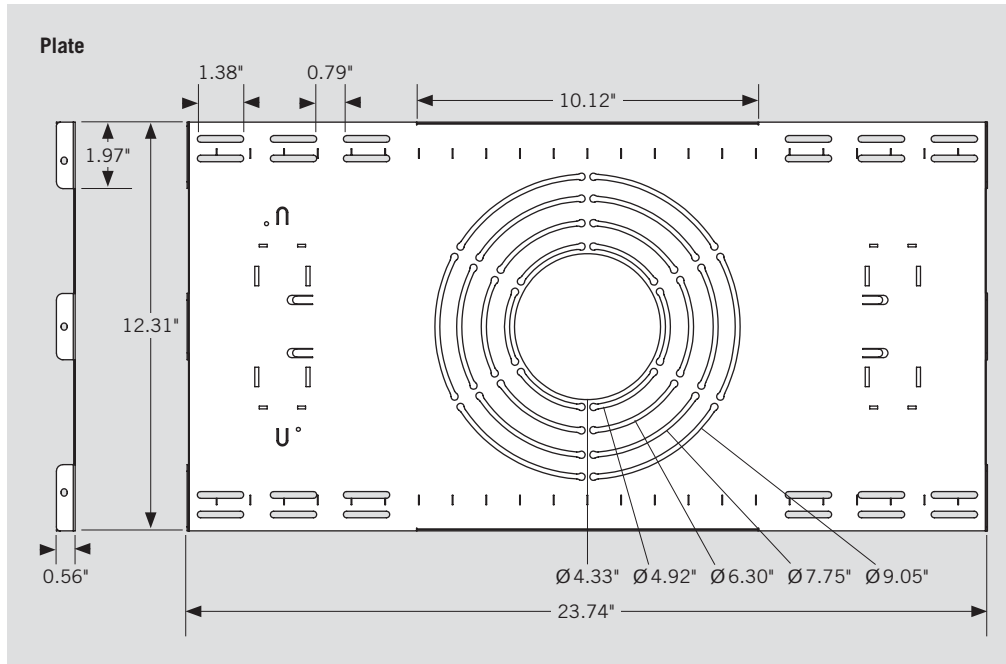
Catalog Number	Description	UPC	Easy Code
KT-RDLED-6A-GOOF	6" Goof ring for 6" LED recessed downlights; 10.51" outer diameter	843654137247	LFJ-16
KT-RDLED-8A-GOOF	8" Goof ring for 8" LED recessed downlights; 12.51" outer diameter	843654137254	UDK-67
KT-RDLED-10A-GOOF	10" Goof ring for 10" LED recessed downlights; 14.17" outer diameter	843654137261	XHZ-21

Optional Accessories continued on next page

**OPTIONAL ACCESSORIES** (sold separately) (continued)

**NEW-CONSTRUCTION PLATE FOR LED RECESSED DOWNLIGHT**

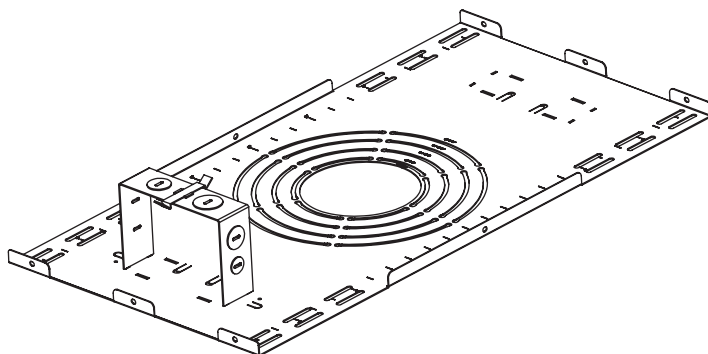
**Dimensions**



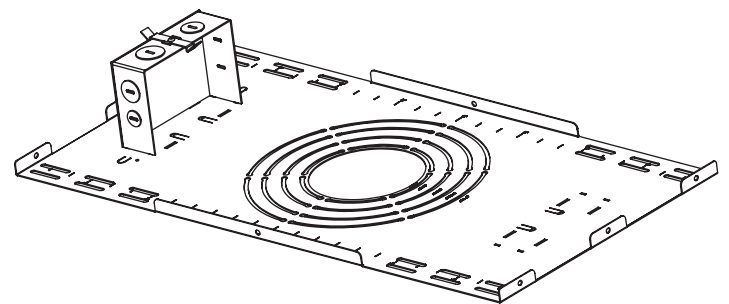
\*J-Box sold separately.

**Installation of J-Box\* onto New-Construction Plate**

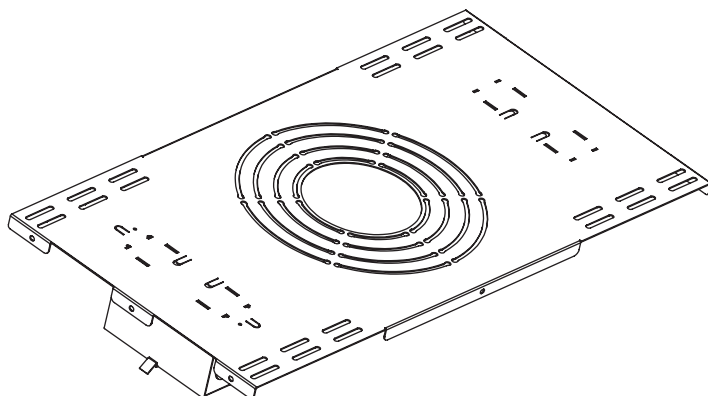
1. Insert bottom tabs of J-box into correct holes of plate.



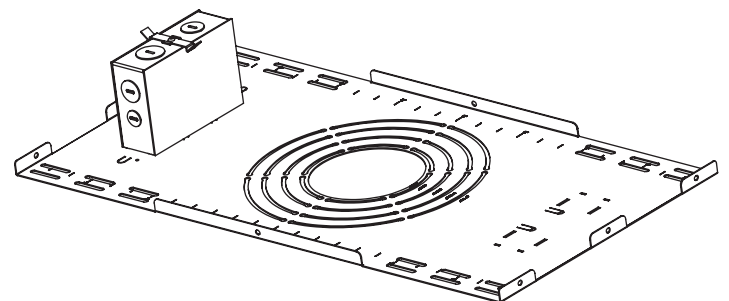
2. Insert side plates into J-box.



3. Underneath plate, bend J-box tabs with pliers to secure J-box to plate.



4. Installation complete.



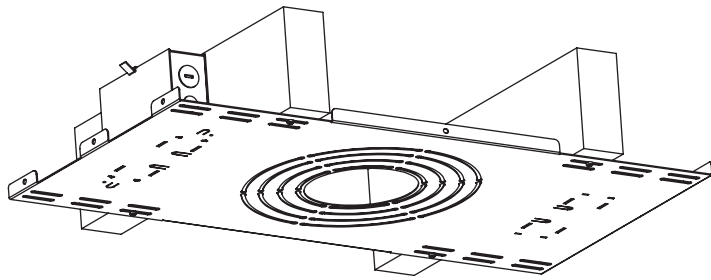
Optional Accessories continued on next page

**OPTIONAL ACCESSORIES** (sold separately) (continued)

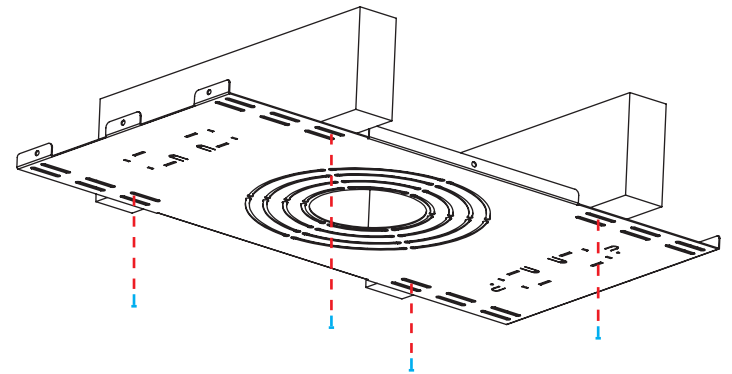
**NEW-CONSTRUCTION PLATE AND JUNCTION BOX FOR LED RECESSED DOWNLIGHTS** (continued)

**Installation of Plate With Ceiling Joists**

1. Align new-construction plate with ceiling joists.



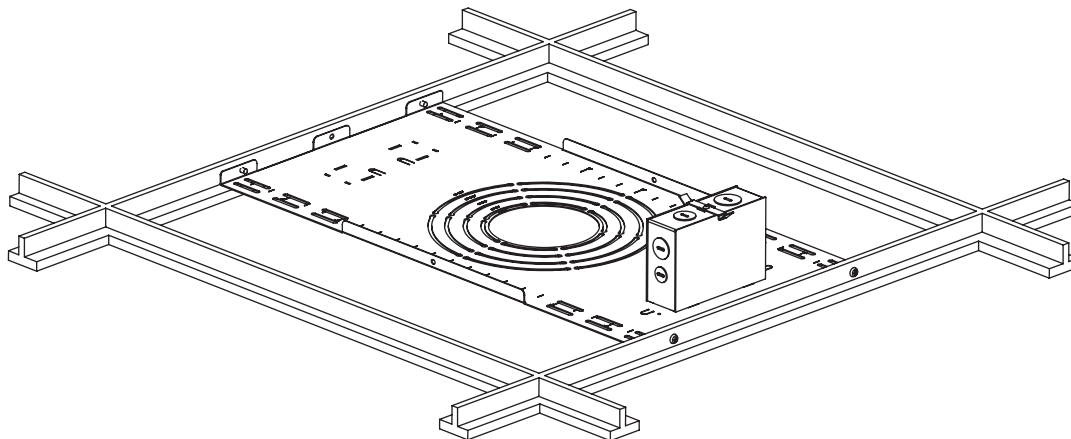
2. Secure plate to joists with appropriate screws (not included).



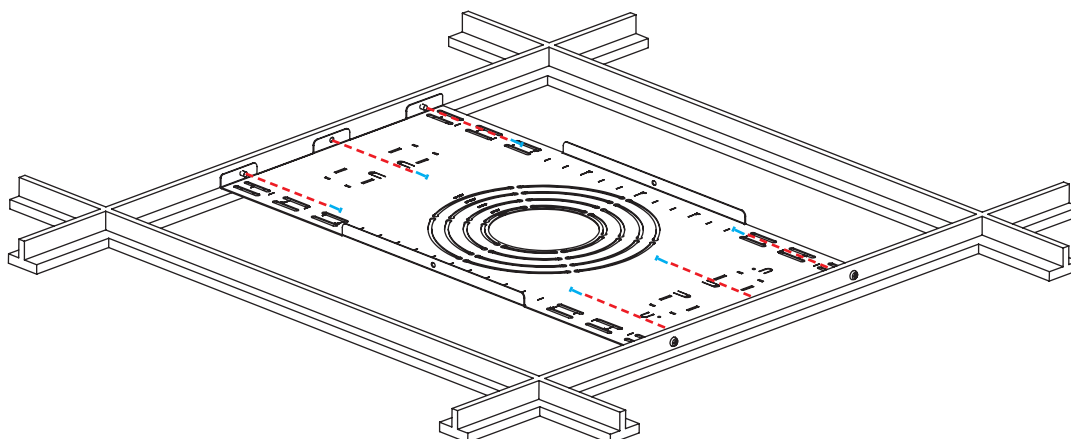
Note: Plate comes out of the box ready to be installed onto joists that have 12" or 16" spacing. To fit plate onto joists that have 24" spacing, simply bend down end tabs and screw to joists.

**Installation of Plate With T-Grid**

1. Lay new-construction plate into T-grid.



2. Secure plate to T-grid with appropriate screws (not included).



**Ordering Information**

Catalog Number	Description	UPC	Easy Code
KT-RDLED-PLATE-1	New-construction plate for LED recessed downlights	843654137285	BMS-81
KT-RDLED-JBOX-1-KIT	Junction box for LED recessed downlights	843654137278	HJA-70

**LED RECESSED DOWNLIGHT ORDERING INFORMATION**

Catalog Number	Pack Qty.	UPC	Easy Code
KT-RDLED18PS-6A-8CSG-VDIM	1	843654137049	FHY-41
KT-RDLED18PS-6A-8CSE-VDIM	1	843654137056	NDO-70
KT-RDLED18PS-6A-9CSE-VDIM	1	843654137117	EIK-33
KT-RDLED29PS-8A-8CSG-VDIM	1	843654137063	RGW-98
KT-RDLED29PS-8A-8CSE-VDIM	1	843654137070	KXC-80
KT-RDLED29PS-8A-9CSE-VDIM	1	843654137124	QED-63
KT-RDLED38PS-10A-8CSG-VDIM	1	843654137087	XJA-59
KT-RDLED38PS-10A-8CSE-VDIM	1	843654137094	SOS-92
KT-RDLED38PS-10A-9CSE-VDIM	1	843654137131	JNU-88