

KTLD-2LT5HE-UV-12C-VDIM /G2

CONSTANT CURRENT LED DRIVER FOR TYPE C T5HE LAMPS

DESCRIPTION

Constant Current Output | 120–277V Input | 0–10V Dimming



10 YEAR
LIMITED WARRANTY

DRIVER TYPE: Constant Current

OUTPUT CURRENT: 270A × 2 Channels

INPUT POWER: 13W × 2

MAX. CURRENT 0.25A@120V

MAX. OUTPUT POWER: 24W

WARRANTY: 10 Years



PRODUCT FEATURES

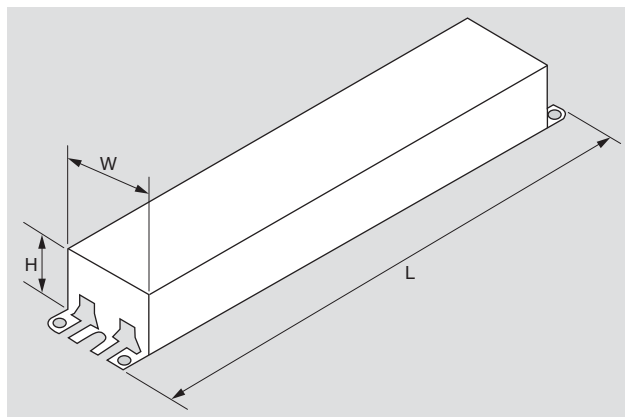
- Compatible with Keystone external drive T5HE LED lamps
- Meets FCC Part 15 (Class B) consumer limits
- Short circuit overload and open load protection
- Type 1 outdoor, suitable for dry and damp locations
- UL8750 Recognized component
- Dimmable with 0–10V Dimmer, dim minimum 10%
- Operating temperature: –20°C/–4°F to 45°C/113°F
- 85°C/185°F maximum case temperature
- Input frequency: 50/60 Hz
- THD: < 20%
- 70,000 hour lifetime

ELECTRICAL SPECIFICATIONS

INPUT CHARACTERISTICS				OUTPUT CHARACTERISTICS			FEATURES
Input Voltage	Input Power	Power Factor	Max. Current	Max. Output Power	Max. Current	Output Voltage	Efficiency
120–277Vac	13W × 2	>0.9	0.25A@120V	24W	270A × 2 Channels	36–45Vdc	88%

MECHANICAL SPECIFICATIONS

CASE DIMENSIONS



LENGTH (L)	9.53"
WIDTH (W)	1.32"
HEIGHT (H)	1.10"

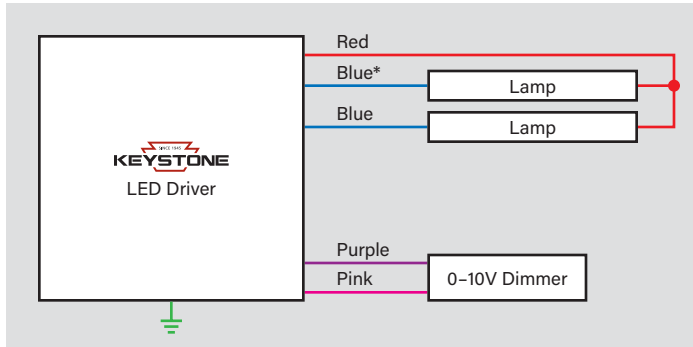
*TC Point (85°C) is noted on each driver label

KTLD-2LT5HE-UV-12C-VDIM /G2

CONSTANT CURRENT LED DRIVER FOR TYPE C T5HE LAMPS

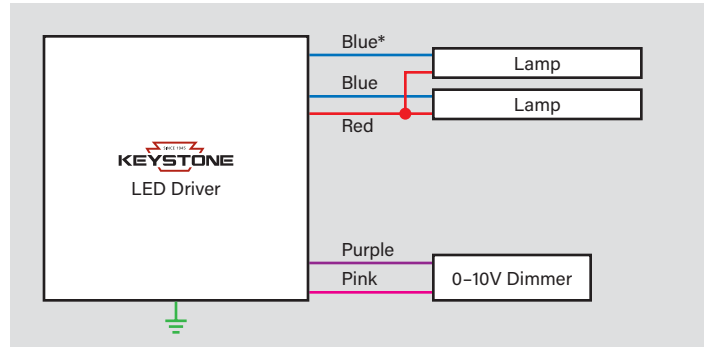
WIRING

DOUBLE-ENDED WIRING



* For 1 lamp application, cap off 1 blue lead

SINGLE-ENDED WIRING



* For 1 lamp application, cap off 1 blue lead

STANDARD LEAD LENGTHS*

Input	Black	30.00"
	White	30.00"
Output	Red	30.00"
	Blue	30.00"
Dimming	Purple	30.00"
	Pink	30.00"

Lead wires are 18 AWG 105° C/600V.

*Consult Keystone for special lead length requirements.

ORDERING INFORMATION

Order Code	Pack Quantity	UPC	Easy Code
KTLD-2LT5HE-UV-12C-VDIM /G2	25	843654141343	TRV-88

CATALOG NUMBER BREAKDOWN

KTLD-2LT5HE-UV-12C-VDIM /G2

- 1
- 2
- 3
- 4
- 5
- 6
- 7
- 8

- 1 Keystone Technologies LED Driver**
- 2 Number of Lamps**
- 3 Lamp Type**
- 4 High Efficiency**
- 5 120-277V Input**
- 6 Lamp Wattage**
- 7 0-10V Dimming**
- 8 Generation 2**