

## KT-LED7MR16-S-9XX /G2

### 50W REPLACEMENT LAMP

#### DESCRIPTION

6.5W MR16 Lamp | 2700–5000K | >90 CRI | Spot Light



<b>LAMP TYPE:</b> MR16
<b>BASE TYPE:</b> GU5.3
<b>WATTAGE:</b> 6.5W
<b>COLOR TEMPERATURE:</b> 2700–5000K
<b>COLOR RENDERING INDEX (CRI):</b> > 90
<b>WARRANTY:</b> 3 Years
<b>RATED LIFE:</b> L70 (25,000 Hours)



#### TYPICAL APPLICATIONS

- Track-lighting
- Display
- Under-cabinet
- Outdoor landscaping (with suitable protection from the elements)

#### PRODUCT FEATURES

- Energy efficient, 80%+ energy savings over legacy equivalents
- Lower heat generation than legacy equivalents
- Smooth, uniform dimming to 10%
- Precision-crafted, full-face optics for precise beam angle control
- Durable plastic housing lowers the risk of breakage
- HiCRI LEDs offer enhanced color rendering vs. 80 CRI LEDs, providing ideal clarity, representation, uniformity of illuminated area/objects
- Long life minimizes replacement and maintenance costs
- Compatible with Keystone low voltage transformers
- Suitable for damp locations
- Operating temperature range –4°F/–20°C to 95°F/35°C
- PF: > 0.9
- Rated for recessed and enclosed fixtures
- ANSI compliant construction ensures fitment for intended applications
- UL Listed
- Meets Energy Star requirements
- Complies with Part 15 of FCC
- Title 20 compliant
- Title 24 JA8 compliant (excluding 4000K and 5000K lamps)

#### ELECTRICAL AND PERFORMANCE SPECIFICATIONS

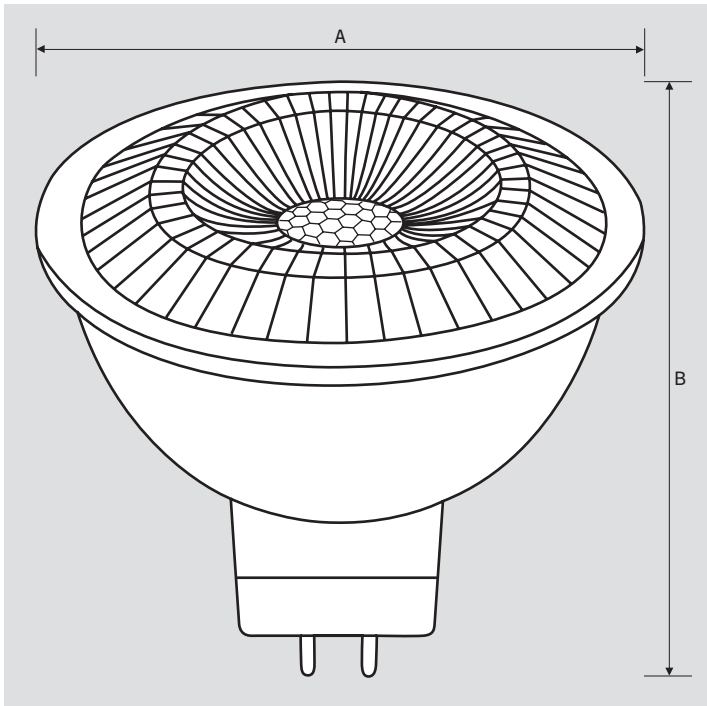
Keystone Catalog Number	Description	Base Type	Rated Lamp Wattage	Legacy Equivalent	CCT	Lumens	Efficacy	Input Voltage	CRI	Beam Angle	Energy Star CBCP	Dimmable
KT-LED7MR16-S-927 /G2	MR16 spot light*	GU5.3	6.5W	50W halogen	2700K	500	77 lm/W	12V	>90	35°	1624	Yes
KT-LED7MR16-S-930 /G2	MR16 spot light*	GU5.3	6.5W	50W halogen	3000K	520	80 lm/W	12V	> 90	35°	1707	Yes
KT-LED7MR16-S-940 /G2	MR16 spot light*	GU5.3	6.5W	50W halogen	4000K	540	83 lm/W	12V	>90	35°	1728	Yes
KT-LED7MR16-S-950 /G2	MR16 spot light*	GU5.3	6.5W	50W halogen	5000K	500	77 lm/W	12V	>90	35°	1378	Yes

\* Requires 12V transformer

## KT-LED7MR16-S-9XX /G2

### REPLACEMENT LAMP

#### PHYSICAL CHARACTERISTICS



#### LAMP DIMENSIONS

A (Diameter)	1.97"
B (Length)	1.91"

BASE TYPE: GU5.3

#### RATED LIFE

L70 (Hours)	25,000
-------------	--------

#### PACKAGING

Carton Quantity	60 pcs
Carton Dimensions	12.95" × 10.91" × 6.54"
Carton Weight	8.6 lbs

#### ORDERING INFORMATION

ORDER CODE	CARTON QUANTITY	UPC	EASY CODE	ENERGY STAR UNIQUE ID
KT-LED7MR16-S-927 /G2	60 pcs	843654141534	NMO-98	2400036
KT-LED7MR16-S-930 /G2	60 pcs	843654141541	HEA-52	2400037
KT-LED7MR16-S-940 /G2	60 pcs	843654141558	LJP-53	2400038
KT-LED7MR16-S-950 /G2	60 pcs	843654141565	KMO-15	2400042

#### CATALOG NUMBER BREAKDOWN

## KT-LED7MR16-S-9XX /G2

1 2 3 4 5 6 7 8 9

- 1 Keystone Technologies
- 2 LED Lamp
- 3 Wattage
- 4 Multi-Faceted Reflector
- 5 Lamp Diameter (16/8")
- 6 Spot Light
- 7 90 CRI
- 8 CCT
- 9 Generation 2