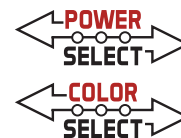




XFIT



KT-CLED150PS-L3-8CSB-VDIM-W

GAS STATION CANOPY

DESCRIPTION

15" Gas Station Canopy | Power Select 150/125/100W
Color Select 3000/4000/5000K | Includes Threaded Pipe and Integrated Driver
120-277V Input | 80 CRI | 0-10V Dimming | White

APPLICATION

Gas station illumination needs, such as entranceways, pump islands, doorways, walkways, etc.



5 YEAR
WARRANTY

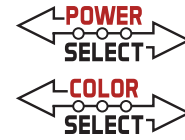
PRODUCT FEATURES

- Keystone Power Select technology (see **Performance Specifications** below)
- Keystone Color Select technology (3000/4000/5000K)
- Familiar, low-profile design ideal for a wide range of new and replacement installations
- Heavy-duty, die-cast aluminum housing with a modern aesthetic
- Surface mount installation with integrated driver. Junction box accessory optional, KT-CLED-JBOX-KIT-W (sold separately)
- Frosted glass diffuser with 110° optics
- Powered by Keystone LED 0–10V dimming driver; dimmable to 10%
- Ambient operating temperature: –40°C/–40°F to 50°C/122°F
- UL 1598 Certified, IP65 rated
- Power Factor: > 0.90
- THD: ≤ 20%
- L70 @ > 100,000 hrs @ 85°C/185°F ambient fixture temperature
- Meets FCC Part 15, Part B, Class A standards for conducted and radiated emissions

PERFORMANCE SPECIFICATIONS

| Catalog Number | Selectable Wattage | Selectable CCT | Lumens | Efficacy | Input Voltage | CRI | Lifetime |
|-----------------------------|--------------------|----------------|--------|----------|---------------|------|------------|
| KT-CLED150PS-L3-8CSB-VDIM-W | 150W | 3000K | 21,330 | 142 lm/W | 120-277V | > 80 | 50,000 hrs |
| | | 4000K | 22,960 | 153 lm/W | | | |
| | | 5000K | 22,330 | 149 lm/W | | | |
| | 125W | 3000K | 18,460 | 148 lm/W | | | |
| | | 4000K | 19,630 | 157 lm/W | | | |
| | | 5000K | 19,200 | 154 lm/W | | | |
| | 100W | 3000K | 15,530 | 155 lm/W | | | |
| | | 4000K | 16,450 | 165 lm/W | | | |
| | | 5000K | 16,360 | 164 lm/W | | | |

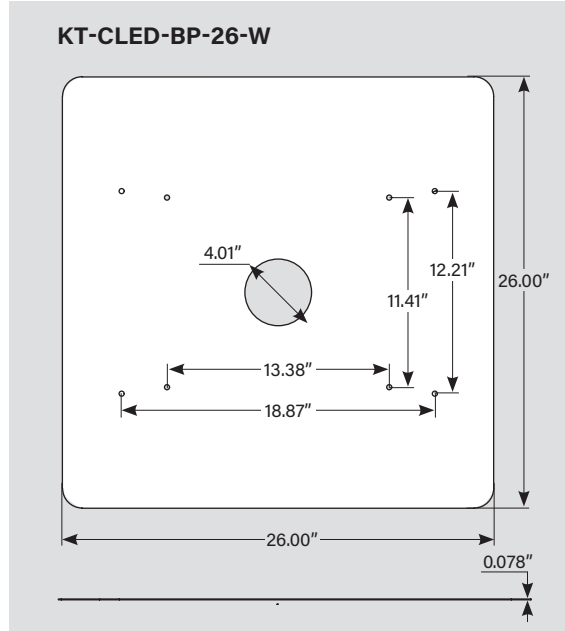
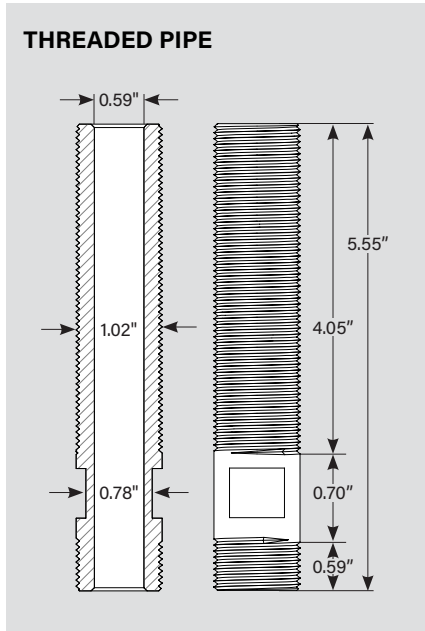
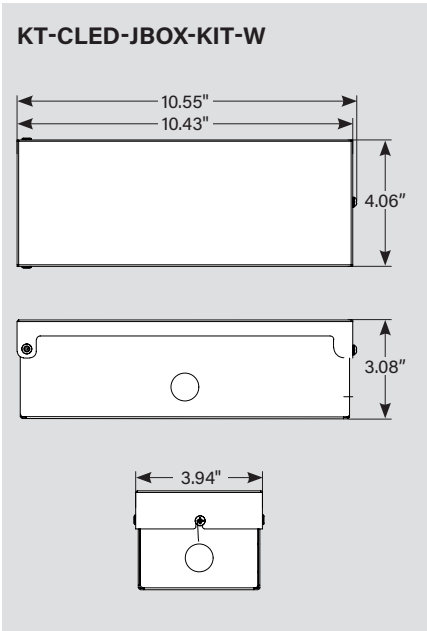
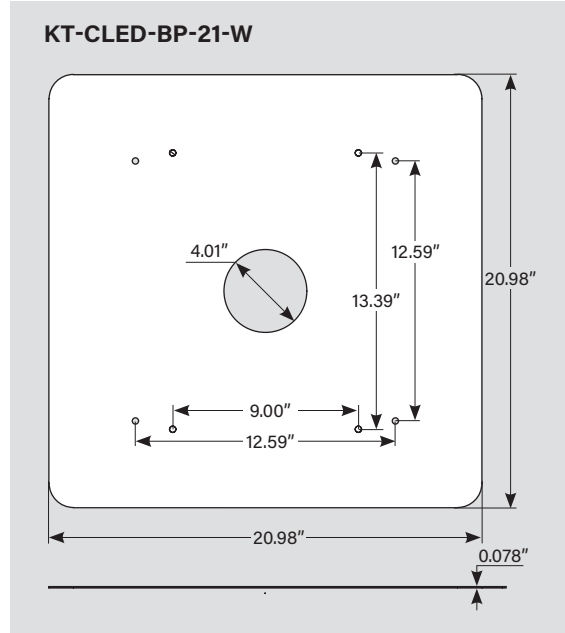
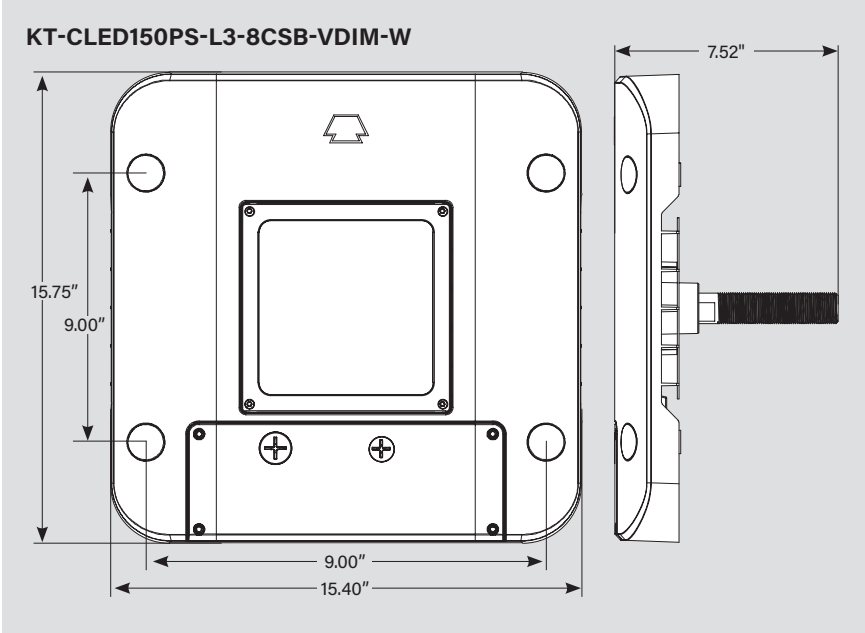
Note: Color uniformity: CCT (Correlated Color Temperature) range as per guidelines outlined in ANSI C78.377-2017

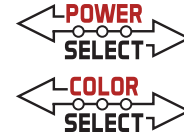


KT-CLED150PS-L3-8CSB-VDIM-W

GAS STATION CANOPY

PHYSICAL SPECIFICATIONS



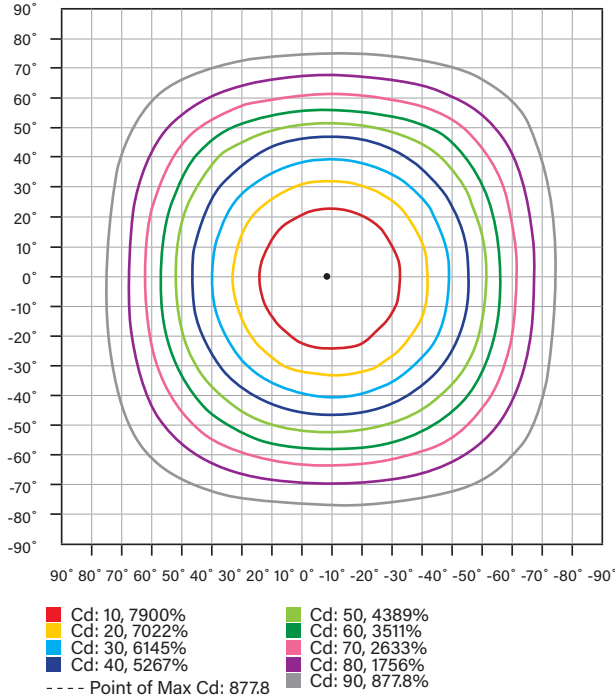


KT-CLED150PS-L3-8CSB-VDIM-W

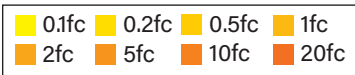
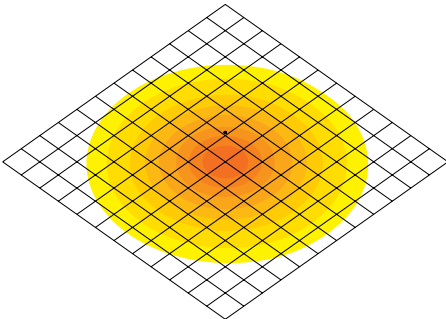
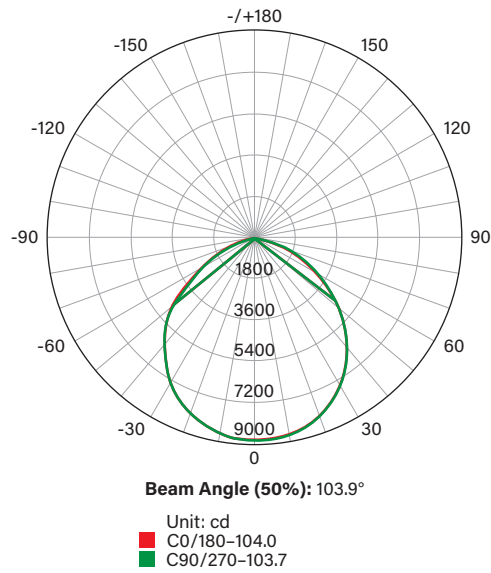
GAS STATION CANOPY

PHOTOMETRIC SPECIFICATIONS

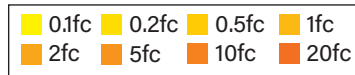
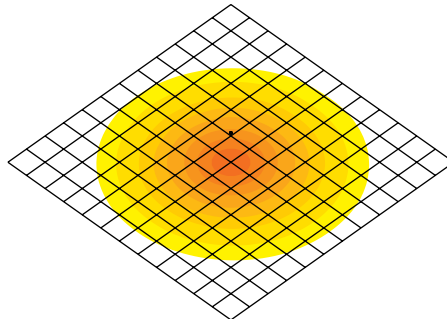
ISOCANDELA PLOT



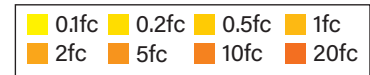
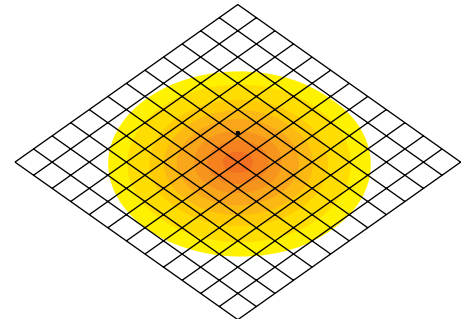
POLAR CANDELA DISTRIBUTION



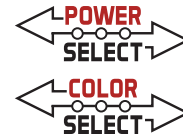
- PHOTOMETRICS**
- Canopy set at 150W mounted at 16 ft
 - Grid dimensions 10 x 10 sq ft
 - Photometric layout for general reference only



- PHOTOMETRICS**
- Canopy set at 125W mounted at 16 ft
 - Grid dimensions 10 x 10 sq ft
 - Photometric layout for general reference only



- PHOTOMETRICS**
- Canopy set at 100W mounted at 16 ft
 - Grid dimensions 10 x 10 sq ft
 - Photometric layout for general reference only

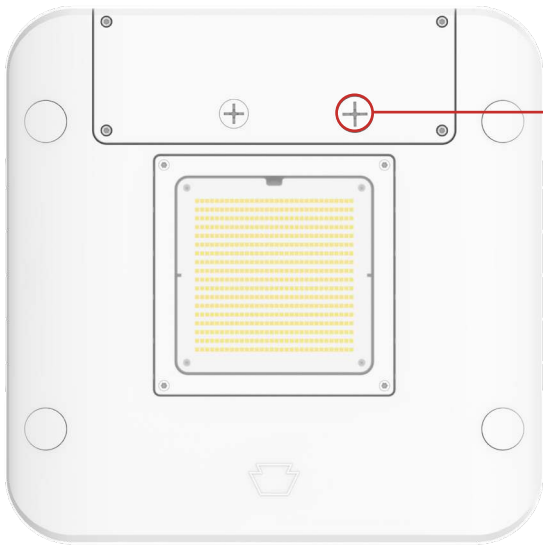


KT-CLED150PS-L3-8CSB-VDIM-W GAS STATION CANOPY

POWER SELECT (WATTAGE) AND COLOR SELECT (CCT) ADJUSTMENT

This fixture is equipped with field-adjustable selectable wattage and selectable CCT

1. Ensure power is off to the fixture.
2. Remove knockout.
3. Adjust dip switch to desired settings.
4. Replace knockout.
5. Restore power to fixture.



KT-CLED150PS-L3-8CSB-VDIM-W



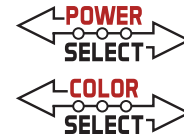
COLOR SELECT ADJUSTMENT SWITCH

Set dip switch to adjust CCT between 3000K, 4000K, and 5000K. Fixture preset at 5000K.



POWER SELECT ADJUSTMENT SWITCH

Set dip switch to adjust between wattages. Fixture preset at 150W.



KT-CLED150PS-L3-8CSB-VDIM-W

GAS STATION CANOPY

SENSORS

Factory-Installable OR Field-Installable (field-installable purchased separately)

| ✓ | SUFFIX* | CATALOG NUMBER | DESCRIPTION | UPC | EASY CODE |
|---|---------|----------------------|--|--------------|-----------|
| | /MW3 | KTS-MW3-12V-PKO | 12V Microwave Occupancy Sensor | 843654130637 | TRM-32 |
| | /FC3** | KTSL-FC3-12V-PKO-PIR | Bluetooth mesh wireless screw-in LED controller for SmartLoop system Integrated daylight sensor PIR motion sensor | 843654138862 | OCW-60 |
| | /FC4 | KTSL-FC4-12V-PKO | Bluetooth mesh wireless screw-in low voltage fixture controller for SmartLoop system | 843654149066 | RUN-10 |



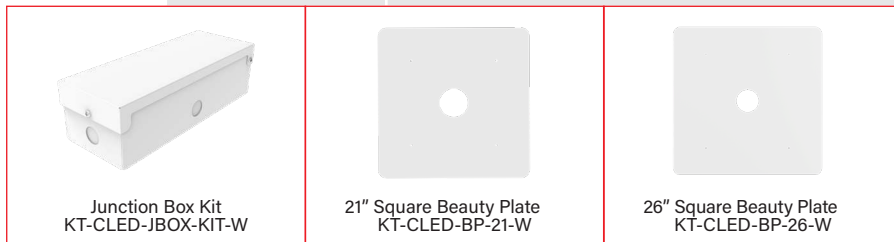
* For factory installation of accessory, add suffix to fixture part number (see ordering examples and instructions on last page of spec sheet).

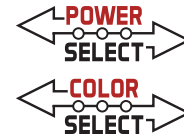
** When installing on Keystone area lights, use small thin gasket provided with the sensor to ensure proper electrical connection and a water-tight seal. Hand tighten only. (Do NOT use the larger thick gasket. Sensor will not make electrical contact with thick gasket.) PIR sensors may not always perform reliably in typical outdoor environments. Ensure sensors are used and commissioned with this in mind. Consult Keystone for further information on the matter. When using KTSL-FC3-12V-PKO-PIR in applications with photosensor control for dusk to dawn, use 3-pin twist-lock photocells (KT-TLP-UV-3P) for optimal functionality.

MOUNTS AND BRACKETS

Field-Installable (field-installable purchased separately)

| CATALOG NUMBER | DESCRIPTION | UPC | EASY CODE |
|--------------------|---------------------------------|--------------|-----------|
| KT-CLED-JBOX-KIT-W | Junction Box Kit White | 843654172453 | XTV-84 |
| KT-CLED-BP-21-W | 21" Square Beauty Plate White | 843654172460 | XBR-27 |
| KT-CLED-BP-26-W | 26" Square Beauty Plate White | 843654172477 | PNY-01 |





KT-CLED150PS-L3-8CSB-VDIM-W

GAS STATION CANOPY

ORDERING INFORMATION

| ORDER CODE | UPC | Easy Code | DLC PRODUCT CODE |
|-----------------------------|--------------|-----------|------------------|
| KT-CLED150PS-L3-8CSB-VDIM-W | 843654172439 | DNE-05 | S-H98YJN |

CATALOG NUMBER BREAKDOWN

KT-CLED150PS-L3-8CSB-VDIM-W

| | | | | | |
|----------|-----------------------|-----------|--------------------------|-----------|--------------------------|
| 1 | Keystone Technologies | 7 | Series Designation | 10 | Color Select Designation |
| 2 | Canopy Light Fixture | 8 | 80 CRI | B | 3000/4000/5000K |
| 3 | LED Technology | 9 | Color Select | 12 | Housing Color |
| 4 | Wattage | 10 | Color Select Designation | W | White |
| 5 | Power Select | 11 | 0-10V Dimming | | |
| 6 | Size | 12 | Housing Color | | |

ORDERING EXAMPLES

FIXTURE WITH SINGLE FACTORY-INSTALLED ACCESSORY

KT-CLED150PS-L3-8CSB-VDIM-W /FC3

FIXTURE WITH NO FACTORY-INSTALLED ACCESSORIES

KT-CLED150PS-L3-8CSB-VDIM-W

| KEYSTONE FIXTURE | |
|-----------------------------|--|
| CATALOG NUMBER | |
| KT-CLED150PS-L3-8CSB-VDIM-W | |

| SENSORS | | |
|---------|--------|----------------------|
| ✓ | SUFFIX | CATALOG NUMBER |
| ✓ | /FC3 | KTSL-FC3-12V-PKO-PIR |

* When ordering more than one factory-installed accessory, use multiple suffixes as shown in the ordering examples above.
 Note: All accessories can also be ordered separately for field installation using just their regular Catalog Number, UPC, or Easy Code.