



ESSENTIAL SERIES

GENERAL PURPOSE LED BULBS

KT-LED8PAR30-F-9XX /G2

75W REPLACEMENT LAMP

DESCRIPTION

8W PAR30 Lamp | 2700–5000K |
 ≥ 90 CRI | Standard Long Neck Flood



Enclosed
Fixture Rated



RoHS
Compliant



3 YEAR
WARRANTY

LAMP TYPE: PAR30

BASE TYPE: E26 (Medium)

WATTAGE: 8W

COLOR TEMPERATURE: 2700–5000K

COLOR RENDERING INDEX (CRI): > 90

WARRANTY: 3 Years

RATED LIFE: L70 (25,000 Hours)



TYPICAL APPLICATIONS

- Track Lighting
- Display
- Flood and SpotLighting
- Outdoor fixtures (with suitable protection from the elements)

PRODUCT FEATURES

- 80%+ energy savings and less heat generation vs legacy equivalents
- 25,000 hr lifetime means fewer replacements and lower maintenance cost
- Precision crafted optics for beam angle control
- Durable plastic housing for lower risk of breakage
- ANSI compliant construction ensures fit for intended applications
- UL & Energy Star listed
- Suitable for use in enclosed, recessed fixtures
- Suitable for dry, damp, and wet locations
- Suitable for use with dimmers
- PF > 0.90
- Operating temperature range: 4°F/–20°C to 95°F/35°C
- Complies with FCC Part 15

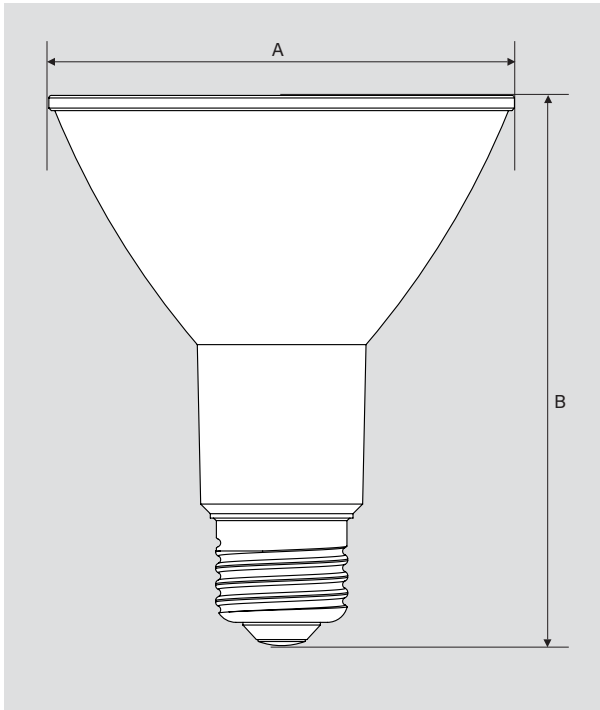
ELECTRICAL AND PERFORMANCE SPECIFICATIONS

Keystone Catalog Number	Color Temp	Input Voltage	Rated Lamp Wattage	Legacy Equivalent Wattage	Base Type	Lumens	Energy Star CBCP	CRI	Light Distribution	Dimmable	Efficacy
KT-LED8PAR30-F-927 /G2	2700K	120V	8W	75W halogen	E26	800	TBD	≥90	40°	Yes	100 lm/W
KT-LED8PAR30-F-930 /G2	3000K	120V	8W	75W halogen	E26	800	TBD	≥90	40°	Yes	100 lm/W
KT-LED8PAR30-F-940 /G2	4000K	120V	8W	75W halogen	E26	850	TBD	≥90	40°	Yes	106 lm/W
KT-LED8PAR30-F-950 /G2	5000K	120V	8W	75W halogen	E26	850	TBD	≥90	40°	Yes	106 lm/W

KT-LED8PAR30-F-927 /G2

75W REPLACEMENT LAMP

PHYSICAL SPECIFICATIONS



LAMP DIMENSIONS

A (Diameter)	3.62"
B (Length)	4.33"

BASE TYPE: E26 (Medium)

PACKAGING

Carton Quantity	48 pcs
Carton Dimensions	10.31" × 18.50" × 13.46"
Carton Weight	13.5 lbs

ORDERING INFORMATION

ORDER CODE	EASY CODE	UPC	ENERGY STAR UNIQUE ID
KT-LED8PAR30-F-927 /G2	HGG-45	843654151014	2635663
KT-LED8PAR30-F-930 /G2	VKK-13	843654151021	2635664
KT-LED8PAR30-F-940 /G2	VHP-24	843654151038	2635665
KT-LED8PAR30-F-950 /G2	CNR-97	843654151045	2635666

CATALOG NUMBER BREAKDOWN

KT-LED8PAR30-F-9XX /G2

1 2 3 4 5 6 7 8

- 1 Keystone Technologies
- 2 LED Lamp
- 3 Wattage
- 4 Lamp Shape
- 5 Standard Flood
- 6 90 CRI
- 7 Color Temperature
- 8 Second Generation