



KT-LED33PSPAR38-F-8XX

REPLACEMENT FLOOD LAMP

DESCRIPTION

Commercial PAR38 Flood Lamp | Power-Select | 3000–5000K | >80 CRI



RoHS Compliant



5 YEAR WARRANTY

| |
|--|
| LAMP TYPE: Commercial PAR38 |
| BASE TYPE: E26 (Medium) |
| SELECTABLE WATTAGE: 33/25/18W |
| COLOR TEMPERATURE: 3000K, 4000K, or 5000K |
| METAL HALIDE EQUIVALENT: 250/150/100W |
| COLOR RENDERING INDEX (CRI): >80 |
| WARRANTY: 5 Years |



PRODUCT FEATURES

- Keystone Power Select technology (33/25/18W)
- Up to 75% energy saving compared to legacy equivalent lamps
- Can be used in base-up or base-down position
- Rated for open and recessed fixtures
- Large metal heatsink for optimal heat dissipation
- Ideal for recessed corridor and high-power flood lighting
- THD: < 20%
- PF: > 0.90
- Operating temperature range: -4°F/-20°C to 113°F/45°C
- Suitable for dry and damp location
- Meets Energy Star requirements
- UL 1993 and 1598C Rated
- Rated lifetime: L70 @ 25,000 hrs

PERFORMANCE SPECIFICATIONS

| Catalog Number | Selectable Wattage | CCT | Lumens | Efficacy | Legacy Equivalency | Input Voltage | CRI | Distribution | Rated Life |
|-----------------------|--------------------|-------|--------|----------|--------------------|---------------|-----|--------------|------------|
| KT-LED33PSPAR38-F-830 | 33W | 3000K | 3790 | 115 lm/W | 250W Metal Halide | 120–277V | >80 | 40° | 25,000 hrs |
| | 25W | | 3100 | 124 lm/W | 150W Metal Halide | | | | |
| | 18W | | 2370 | 132 lm/W | 100W Metal Halide | | | | |
| KT-LED33PSPAR38-F-840 | 33W | 4000K | 4050 | 123 lm/W | 250W Metal Halide | | | | |
| | 25W | | 3300 | 132 lm/W | 150W Metal Halide | | | | |
| | 18W | | 2520 | 140 lm/W | 100W Metal Halide | | | | |
| KT-LED33PSPAR38-F-850 | 33W | 5000K | 4120 | 125 lm/W | 250W Metal Halide | | | | |
| | 25W | | 3350 | 134 lm/W | 150W Metal Halide | | | | |
| | 18W | | 2550 | 142 lm/W | 100W Metal Halide | | | | |

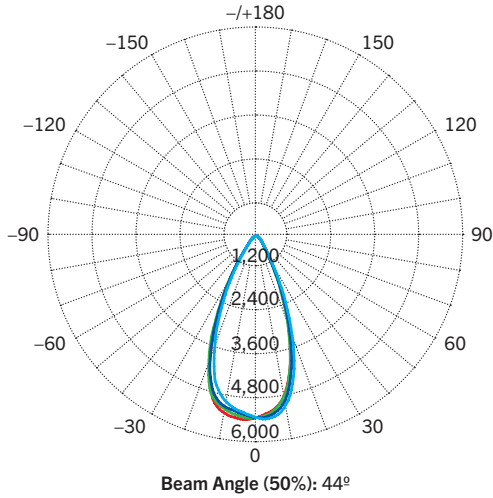


KT-LED33PSPAR38-F-8XX

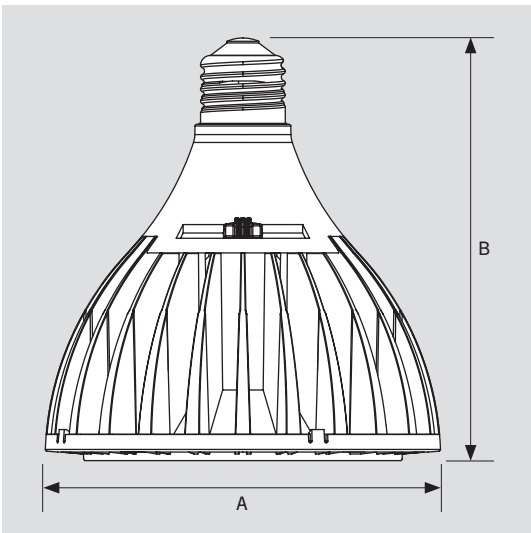
REPLACEMENT FLOOD LAMP

PHOTOMETRIC SPECIFICATIONS

POLAR CANDELA DISTRIBUTION



PHYSICAL CHARACTERISTICS



LAMP DIMENSIONS

| | |
|--------------|-------|
| A (Length) | 5.04" |
| B (Diameter) | 4.72" |

BASE TYPE: E26 (Medium)



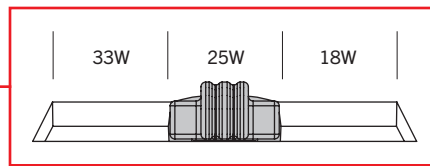
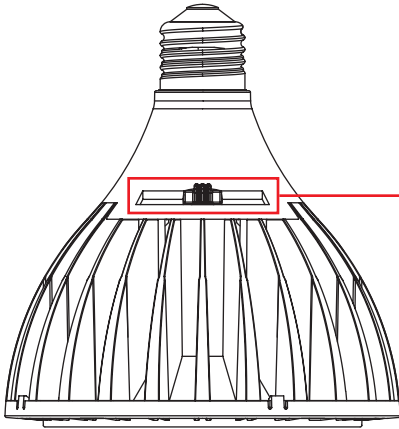
KT-LED33PSPAR38-F-8XX

REPLACEMENT FLOOD LAMP

POWER SELECT (WATTAGE) ADJUSTMENT

This fixture is equipped with Power Select technology.

1. Ensure power is off to the fixture.
2. Adjust dip switch to desired setting.



POWER SELECT ADJUSTMENT

Set dip switch to adjust wattage between 33W, 25W, and 18W. Fixture comes preset at 33W.

ORDERING INFORMATION

| ORDER CODE | PACK QTY. | UPC | Easy Code |
|-----------------------|-----------|--------------|-----------|
| KT-LED33PSPAR38-F-830 | 1 | 843654135441 | LUD-13 |
| KT-LED33PSPAR38-F-840 | 1 | 843654135458 | IOH-07 |
| KT-LED33PSPAR38-F-850 | 1 | 843654135465 | QSI-81 |

CATALOG NUMBER BREAKDOWN

KT-LED33PSPAR38-F-8XX

1 2 3 4 5 6 7 8 9

- 1 Keystone Technologies
- 2 LED Technology
- 3 Max Wattage
- 4 Power Select
- 5 Parabolic Aluminized Reflector Lamp
- 6 4.75" Diameter
- 7 Standard Flood
- 8 80 CRI
- 9 Color Temperature