



# ESSENTIAL SERIES

GENERAL PURPOSE LED BULBS

## KT-LED6.5PAR16-S-8XX /G2 REPLACEMENT LAMP

### DESCRIPTION

6.5W PAR16 Lamp | 2700–5000K | >80 CRI | Spotlight



<b>LAMP TYPE:</b> PAR16
<b>BASE TYPE:</b> E26 (Medium)
<b>WATTAGE:</b> 6.5W
<b>COLOR TEMPERATURE:</b> 2700–5000K
<b>COLOR RENDERING INDEX (CRI):</b> > 80
<b>WARRANTY:</b> 3 Years
<b>RATED LIFE:</b> L70 (25,000 Hours)



### TYPICAL APPLICATIONS

- Track-lighting
- Display
- Under-cabinet
- Outdoor landscaping (with suitable protection from the elements)

### PRODUCT FEATURES

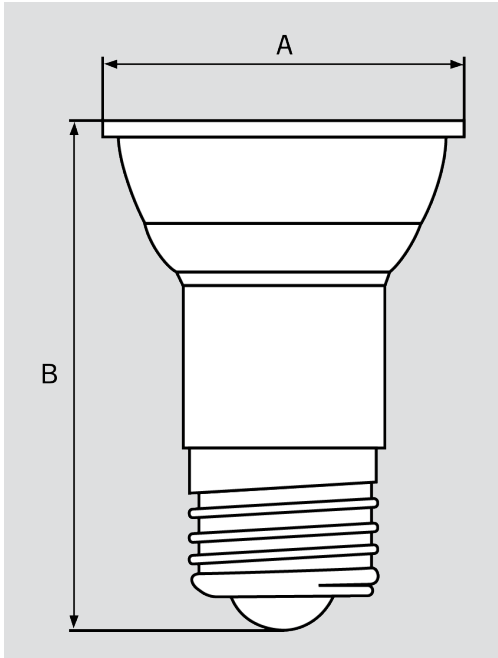
- Energy efficient, 80%+ energy savings over legacy equivalents
- Lower heat generation than legacy equivalents
- PF: > 0.70
- Smooth, uniform dimming
- Precision-crafted, full-face optics for precise beam angle control
- Durable plastic housing lowers the risk for breakage
- Long life minimizes replacement and maintenance costs
- Operating temperature range: –4°F/–20°C to 113°F/45°C
- ANSI compliant construction ensures fitment for intended applications
- Rated for open and recessed fixtures
- Complies with Part 15 of FCC
- Meets Energy Star requirements
- UL Listed
- Rated for use in damp locations

### ELECTRICAL AND PERFORMANCE SPECIFICATIONS

Keystone Catalog Number	Description	Color Temp	Input Voltage	Rated Lamp Wattage	Legacy Equivalent Wattage	Base Type	Lumens	Energy Star CBCP	CRI	Beam Angle	Dimmable	Efficacy
KT-LED6.5PAR16-S-827 /G2	PAR16 bulb; Spotlight; TRIAC Dimmable	2700K	120V	6.5W	50W halogen	E26	500 lm	TBD	>80	40°	Yes	77 lm/W
KT-LED6.5PAR16-S-830 /G2	PAR16 bulb; Spotlight; TRIAC Dimmable	3000K	120V	6.5W	50W halogen	E26	500 lm	TBD	>80	40°	Yes	77 lm/W
KT-LED6.5PAR16-S-840 /G2	PAR16 bulb; Spotlight; TRIAC Dimmable	4000K	120V	6.5W	50W halogen	E26	500 lm	TBD	>80	40°	Yes	77 lm/W
KT-LED6.5PAR16-S-850 /G2	PAR16 bulb; Spotlight; TRIAC Dimmable	5000K	120V	6.5W	50W halogen	E26	500 lm	TBD	>80	40°	Yes	77 lm/W

## KT-LED6.5PAR16-S-8XX /G2 REPLACEMENT LAMP

### PHYSICAL CHARACTERISTICS



### LAMP DIMENSIONS

A (Diameter)	1.97"
B (Length)	2.80"

BASE TYPE: E26 (Medium)

### PACKAGING

Carton Quantity	60 pcs
Carton Dimensions	12.95" × 10.91" × 6.54"
Carton Weight	9.5 lbs

### ORDERING INFORMATION

ORDER CODE	CARTON QUANTITY	ITEM STATUS	EASY CODE	UPC
KT-LED6.5PAR16-S-827 /G2	60 pcs	Active	FGC-47	843654138480
KT-LED6.5PAR16-S-830 /G2	60 pcs	Active	TQN-98	843654138497
KT-LED6.5PAR16-S-840 /G2	60 pcs	Active	MXO-34	843654138503
KT-LED6.5PAR16-S-850 /G2	60 pcs	Active	JJQ-49	843654138510

### CATALOG NUMBER BREAKDOWN

## KT-LED6.5PAR16-S-8XX /G2

1 2 3 4 5 6 7 8

- 1 Keystone Technologies
- 2 LED Lamp
- 3 Wattage
- 4 Lamp Shape
- 5 Spotlight
- 6 80 CRI
- 7 Color Temperature
- 8 Generation 2