



DIRECT DRIVE DX2

SINGLE- OR DOUBLE-ENDED LINE VOLTAGE LED TUBES

KT-LED9T8-24G-8XX-DX2 /USA

T8 LED LAMP

DESCRIPTION

9W T8 LED | 3000–5000K | >83 CRI | High-Efficiency | Single- or Double-ended Wiring



LAMP TYPE: Linear
BULB TYPE: T8 LED
BASE TYPE: G13 (Medium Bi-Pin)
WATTAGE: 9W
COLOR TEMPERATURE: 3000–5000K
COLOR RENDERING INDEX (CRI): >83
WARRANTY: 5 Years



PRODUCT FEATURES

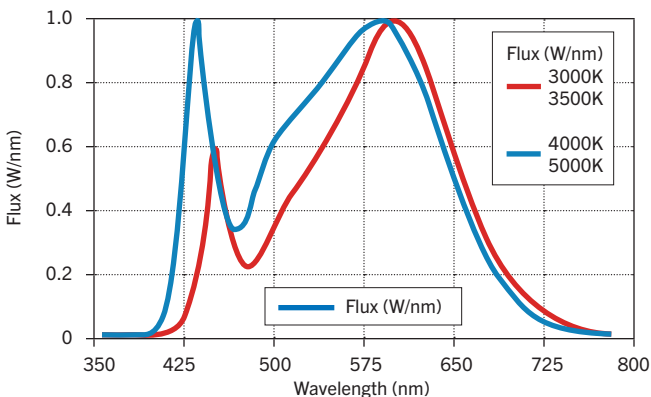
- Made in USA. BAA/TAA Compliant
- Replacement for conventional fluorescent lamp
- Single- or double-ended wiring
- Frosted lens eliminates pixelation
- 50,000+ hour lifetime
- Instant startup
- Environmentally friendly: No mercury used
- Approximately 40% more energy efficient than standard F32T8 lamps
- Integral driver (isolated) eliminates the need for external driver or ballast
- 110+ lumens per watt
- Operating Temperature: -20°C/-4°F to 45°C/113°F
- UL Classified
- Lamp is dimmable when used with an appropriate dimming accessory (purchased separately). Contact Keystone for more details to find out what is best for the intended application.

ELECTRICAL AND PERFORMANCE SPECIFICATIONS

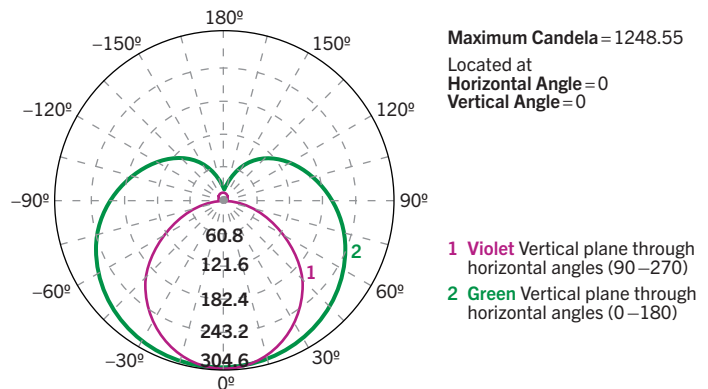
Catalog Number	Input Voltage	Power Consumption	Color Temperature (CCT)	Luminous Flux	Efficacy	Beam Angle	Visible Light Area	Power Factor	Input Current	Rated Life
KT-LED9T8-24G-830-DX2 /USA	120–277 Vac	9W	3000K	1100 lm	122 lm/W	240°	325°	>0.9	0.075A @ 120V 0.032A @ 277V	L70 (Hours) 50,000
KT-LED9T8-24G-835-DX2 /USA			3500K	1100 lm	122 lm/W					
KT-LED9T8-24G-840-DX2 /USA			4000K	1125 lm	125 lm/W					
KT-LED9T8-24G-850-DX2 /USA			5000K	1150 lm	128 lm/W					

PHOTOMETRIC SPECIFICATIONS

SPECTRAL DISTRIBUTION



POLAR CANDELA DISTRIBUTION



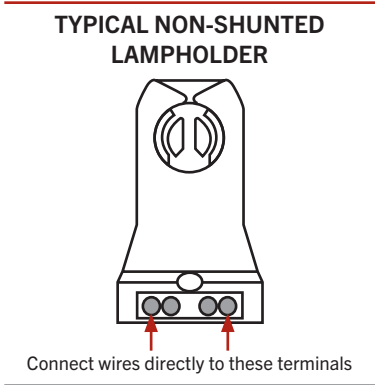
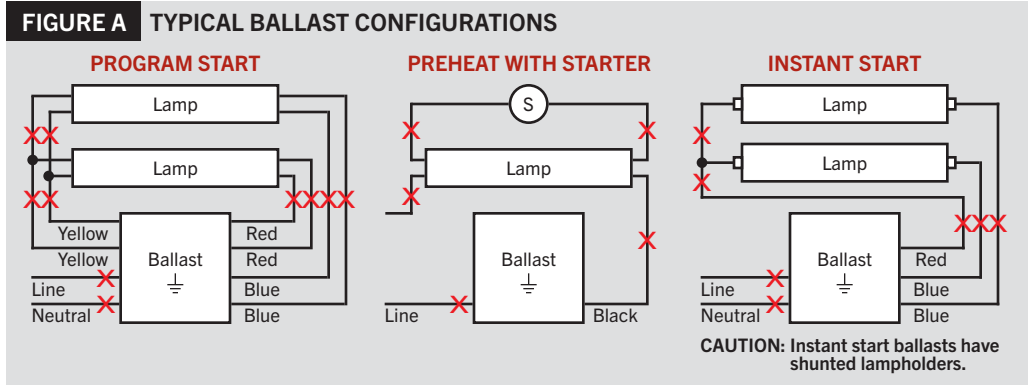


KT-LED9T8-24G-8XX-DX2 /USA

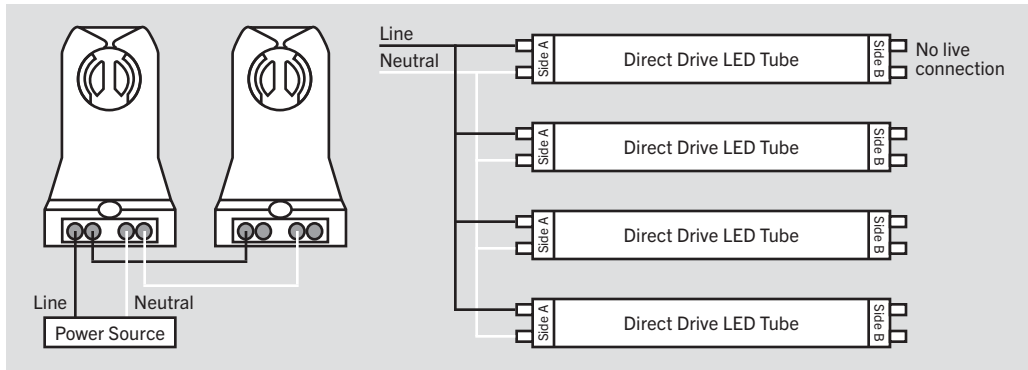
T8 LED LAMP

SINGLE-ENDED WIRING DIAGRAM

1. Cut all existing connections to ballast as shown below and remove ballast. See *Figure A* for typical ballast configurations. **Note: Single-ended wiring requires non-shunted lampholders.**



2. Rewire fixture as shown below.



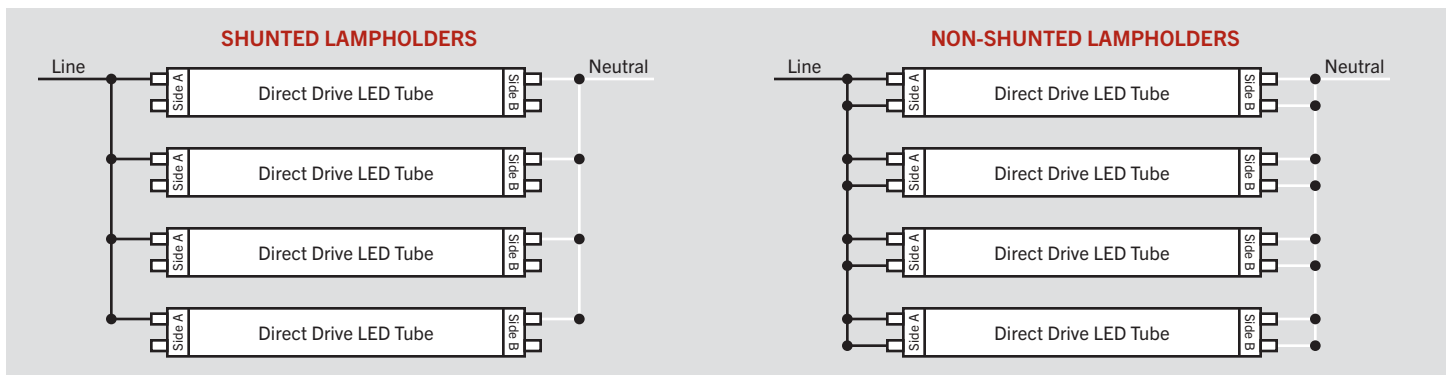
CAUTION: FOR SINGLE-ENDED WIRING USE ONLY NON-SHUNTED LAMP HOLDERS.

For Single-ended wiring, do not install product in a fixture with shunted lampholders (found in all fixtures using instant start ballasts). If the current lampholders are shunted, remove them and replace them with non-shunted lampholders. Make new connections directly to terminals as indicated above. Keystone can provide any style replacement lampholders. Call us at 800-464-2680.

DOUBLE-ENDED WIRING DIAGRAM

1. Cut all existing connections to ballast as shown below and remove ballast. See *Figure A* above for typical ballast configurations.
2. Re-wire fixture as shown below. For double-ended wiring, use either shunted or nonshunted lampholders.

NOTE: There should not be any exposed wires at the end of installation.



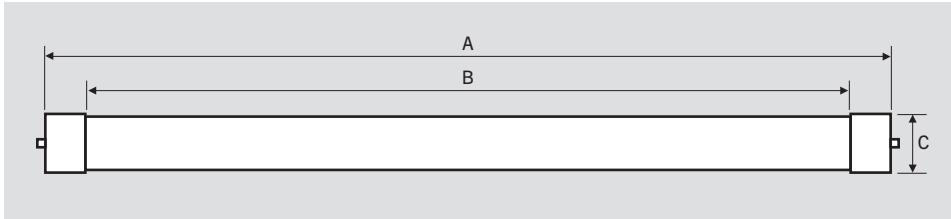


DIRECT DRIVE DX2
SINGLE- OR DOUBLE-ENDED LINE VOLTAGE LED TUBES

KT-LED9T8-24G-8XX-DX2 /USA

T8 LED LAMP

PHYSICAL SPECIFICATIONS



LAMP DIMENSIONS

A (Body Length)	23.22"
B (Illuminated Length)	20.30"
C (Diameter)	1.02"

NOMINAL LENGTH: 24"

BASE TYPE: G13 (Medium Bi-Pin)

ORDERING INFORMATION

ORDER CODE	PACK QTY.	EASY CODE	UPC
KT-LED9T8-24G-830-DX2 /USA	25	TBD	TBD
KT-LED9T8-24G-835-DX2 /USA	25	ZBC-86	843654129341
KT-LED9T8-24G-840-DX2 /USA	25	YFI-36	843654129358
KT-LED9T8-24G-850-DX2 /USA	25	TBD	TBD

CATALOG NUMBER BREAKDOWN

KT-LED9T8-24G-8XX-DX2 /USA

1 2 3 4 5 6 7 8 9 10

- 1 Keystone Technologies
- 2 LED Lamp
- 3 Wattage
- 4 Lamp Type
- 5 Nominal Length (Inches)
- 6 Glass Construction
- 7 80 CRI
- 8 Color Temperature
- 9 Single- or Double-Ended Wiring
- 10 Made in the USA