



# KT-LED9T8-24G-8XX-DX2 /USA

## T8 LED LAMP

### DESCRIPTION

9W T8 LED | 3000-5000K | > 83 CRI | High-Efficiency | Single- or Double-ended Wiring



**10 YEAR LIMITED WARRANTY**

<b>LAMP TYPE:</b> Linear
<b>BULB TYPE:</b> T8 LED
<b>BASE TYPE:</b> G13 (Medium Bi-Pin)
<b>WATTAGE:</b> 9W
<b>COLOR TEMPERATURE:</b> 3000-5000K
<b>COLOR RENDERING INDEX (CRI):</b> > 83
<b>WARRANTY:</b> 10 Years



### PRODUCT FEATURES

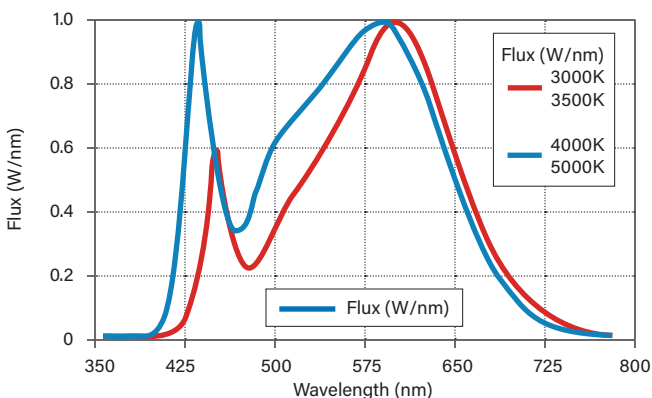
- Made in USA. BAA/TAA Compliant
- Replacement for conventional fluorescent lamp
- Single- or double-ended wiring
- Frosted lens eliminates pixelation
- 50,000+ hour lifetime
- Instant startup
- Environmentally friendly: No mercury used
- Approximately 40% more energy efficient than standard F32T8 lamps
- Integral driver (isolated) eliminates the need for external driver or ballast
- 110+ lumens per watt
- Operating Temperature: -20°C/-4°F to 45°C/113°F
- UL Classified
- Lamp is dimmable when used with an appropriate dimming accessory (purchased separately). Contact Keystone for more details to find out what is best for the intended application.

### ELECTRICAL AND PERFORMANCE SPECIFICATIONS

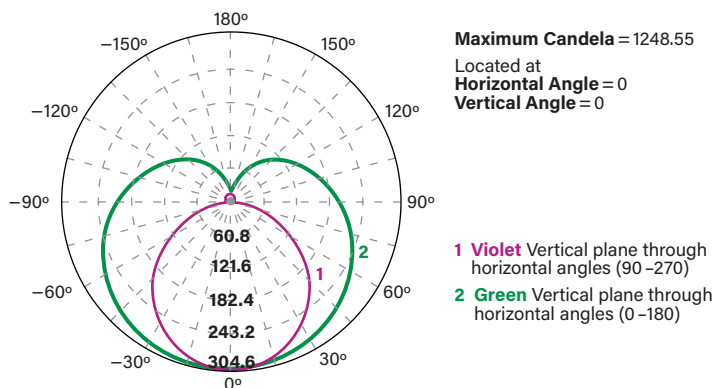
Catalog Number	Input Voltage	Power Consumption	Color Temperature (CCT)	Luminous Flux	Efficacy	Beam Angle	Visible Light Area	Power Factor	Input Current	Rated Life
KT-LED9T8-24G-830-DX2 /USA	120-277 Vac	9W	3000K	1100 lm	122 lm/W	240°	325°	>0.9	0.075A @ 120V 0.032A @ 277V	L70 (Hours) 50,000
KT-LED9T8-24G-835-DX2 /USA			3500K	1100 lm	122 lm/W					
KT-LED9T8-24G-840-DX2 /USA			4000K	1125 lm	125 lm/W					
KT-LED9T8-24G-850-DX2 /USA			5000K	1150 lm	128 lm/W					

### PHOTOMETRIC SPECIFICATIONS

#### SPECTRAL DISTRIBUTION



#### POLAR CANDELA DISTRIBUTION

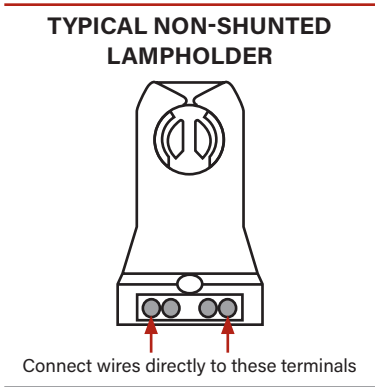
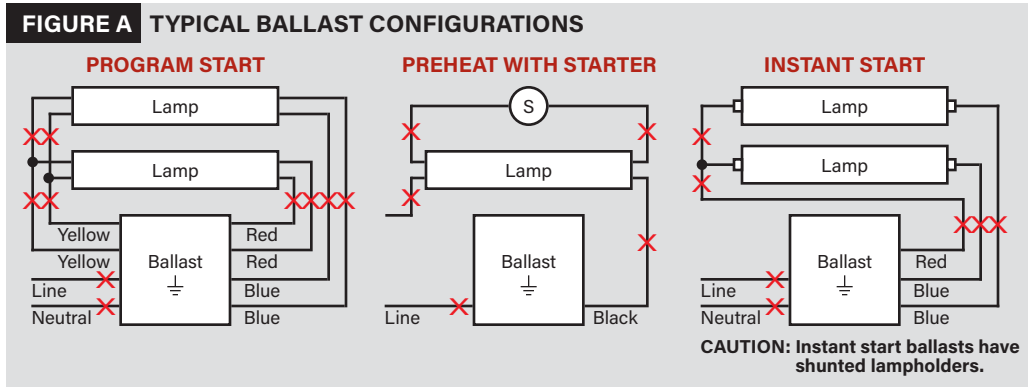




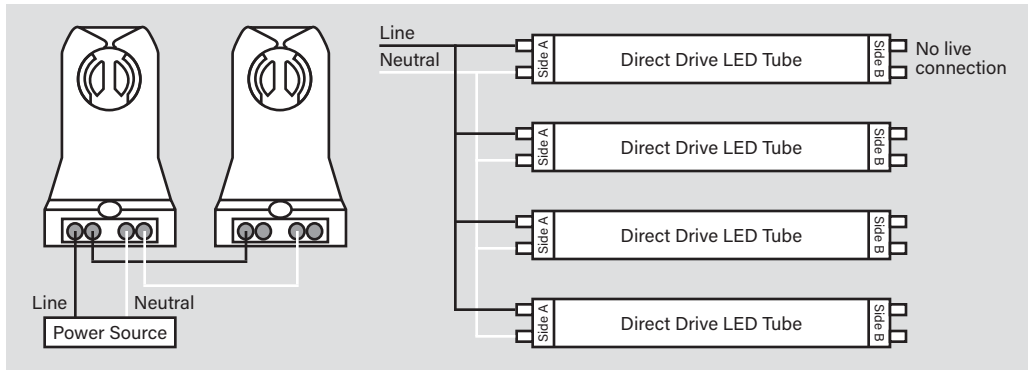
# KT-LED9T8-24G-8XX-DX2 /USA T8 LED LAMP

## SINGLE-ENDED WIRING DIAGRAM

1. Cut all existing connections to ballast as shown below and remove ballast. See *Figure A* for typical ballast configurations. **Note: Single-ended wiring requires non-shunted lampholders.**



2. Rewire fixture as shown below.



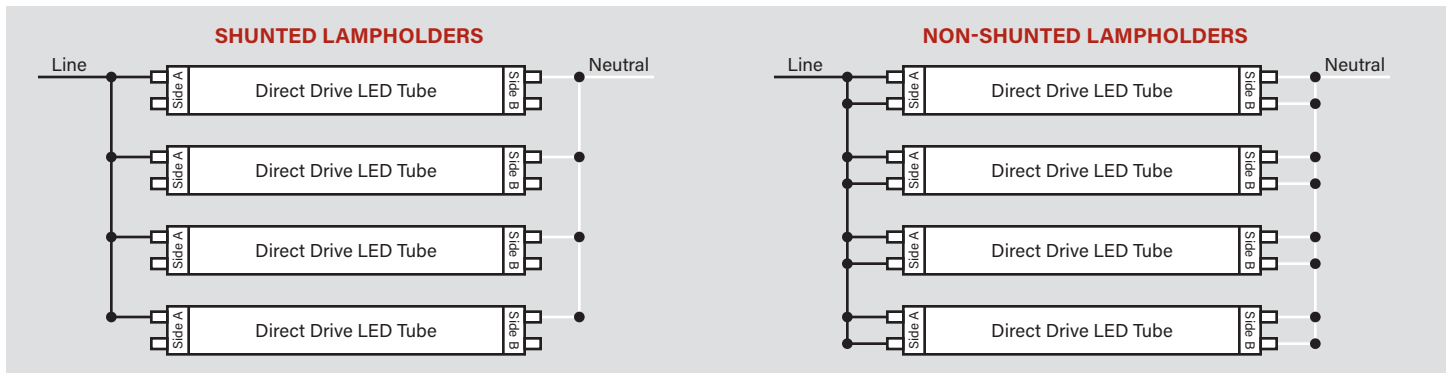
**CAUTION: FOR SINGLE-ENDED WIRING USE ONLY NON-SHUNTED LAMP HOLDERS.**

For Single-ended wiring, do not install product in a fixture with shunted lampholders (found in all fixtures using instant start ballasts). If the current lampholders are shunted, remove them and replace them with non-shunted lampholders. Make new connections directly to terminals as indicated above. Keystone can provide any style replacement lampholders. Call us at 800-464-2680.

## DOUBLE-ENDED WIRING DIAGRAM

1. Cut all existing connections to ballast as shown below and remove ballast. See *Figure A* above for typical ballast configurations.  
2. Re-wire fixture as shown below. For double-ended wiring, use either shunted or nonshunted lampholders.

**NOTE: There should not be any exposed wires at the end of installation.**



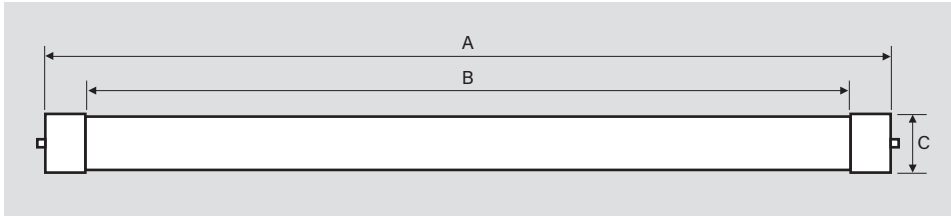


**DIRECT DRIVE DX2**  
SINGLE- OR DOUBLE-ENDED LINE VOLTAGE LED TUBES

## KT-LED9T8-24G-8XX-DX2 /USA

### T8 LED LAMP

#### PHYSICAL SPECIFICATIONS



#### LAMP DIMENSIONS

A (Body Length)	23.22"
B (Illuminated Length)	20.30"
C (Diameter)	1.02"

**NOMINAL LENGTH:** 24"

**BASE TYPE:** G13 (Medium Bi-Pin)

#### ORDERING INFORMATION

ORDER CODE	PACK QTY.	UPC	EASY CODE	DLC PRODUCT ID
KT-LED9T8-24G-830-DX2 /USA	25	TBD	TBD	PLBU1V2WSY4L
KT-LED9T8-24G-835-DX2 /USA	25	843654129341	ZBC-86	PL9FTJ6726OH
KT-LED9T8-24G-840-DX2 /USA	25	843654129358	YFI-36	PLL191GXGOA0
KT-LED9T8-24G-850-DX2 /USA	25	TBD	TBD	PLU2EM9V3TJ7

#### CATALOG NUMBER BREAKDOWN

## KT-LED9T8-24G-8XX-DX2 /USA

1 2 3 4 5 6 7 8 9 10

- 1 Keystone Technologies
- 2 LED Lamp
- 3 Wattage
- 4 Lamp Type
- 5 Nominal Length (Inches)
- 6 Glass Construction
- 7 80 CRI
- 8 Color Temperature
- 9 Single- or Double-Ended Wiring
- 10 Made in the USA