



# KT-DDSLEDR17D-8-2L

## 8', 2-LAMP STRIP FIXTURE



### DESCRIPTION

8' LED Tube ready strip fixture, 2 lamp. (lamps sold separately)

---

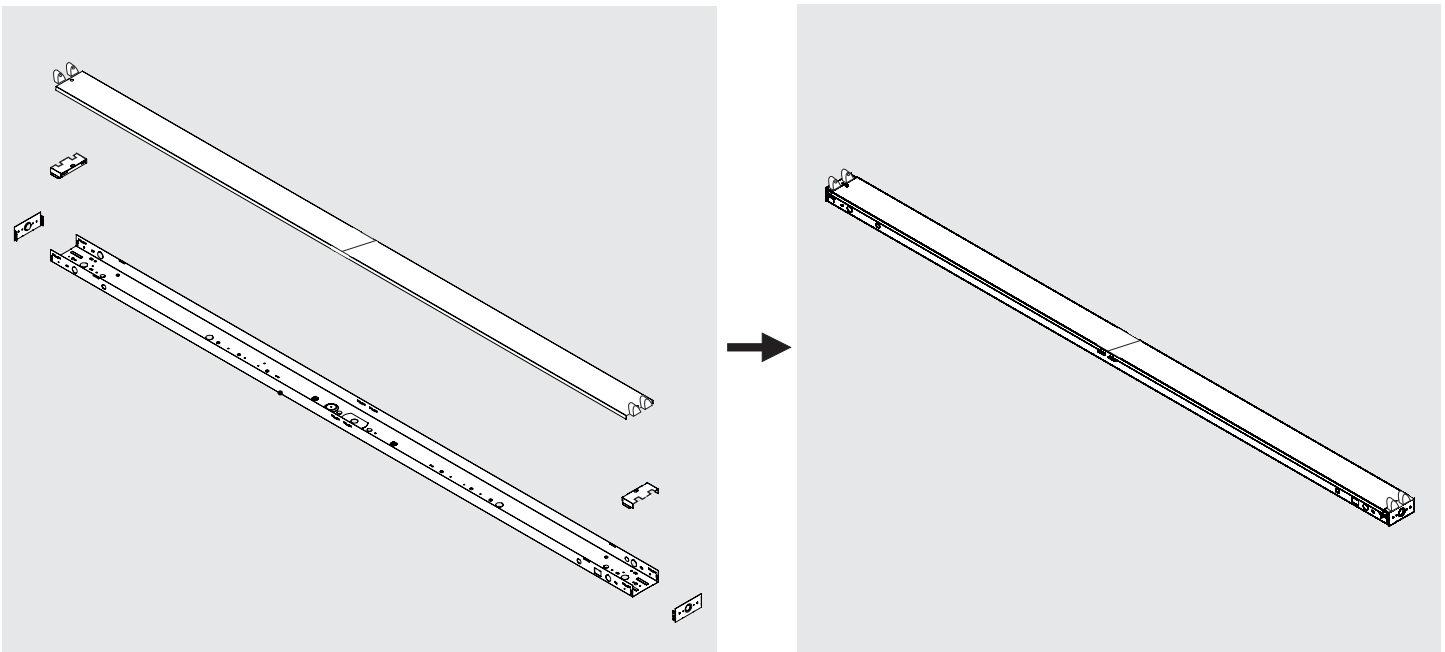
### APPLICATION

Used for indoor highbay, lowbay, warehouse and general lighting applications.

---

### PRODUCT FEATURES

- Designed for use with 8' double ended wiring (type B) LED T8 tubes, includes pre-wired sockets
- Post painted white steel body
- Rated for damp and dry locations
- Designed only for use with Keystone 8' double ended wiring DirectDrive T8HO LED lamps: 54W max per lamp
- Uses R17d sockets





# KT-DDSLEDR17D-8-2L

## 8', 2-LAMP STRIP FIXTURE

### ORDERING INFORMATION

ORDER CODE	PACK QTY.	EASY CODE	UPC
KT-DDSLEDR17D-8-2L	1	DRQ-63	89094902010

### CATALOG NUMBER BREAKDOWN

# KT-DDSLEDR17D-8-2L

1 2 3 4 5 6 7

- 1 Keystone Technologies
- 2 Direct Drive
- 3 Strip Fixture
- 4 LED Lamp
- 5 R17d Socket
- 6 8' Nominal Size
- 7 2 Lamps