



KT-LED12.5T8-48GC-8XX-D

T8 LED LAMP

DESCRIPTION

12.5W T8 LED | 3000-5000K | >83 CRI | High Efficiency



10 YEAR LIMITED WARRANTY

LAMP TYPE: Linear
BULB TYPE: T8 LED
BASE TYPE: G13 (Medium Bi-Pin)
WATTAGE: ~12.5W
COLOR TEMPERATURE: 3000-5000K
COLOR RENDERING INDEX (CRI): >83
WARRANTY: 10 Years



PRODUCT FEATURES

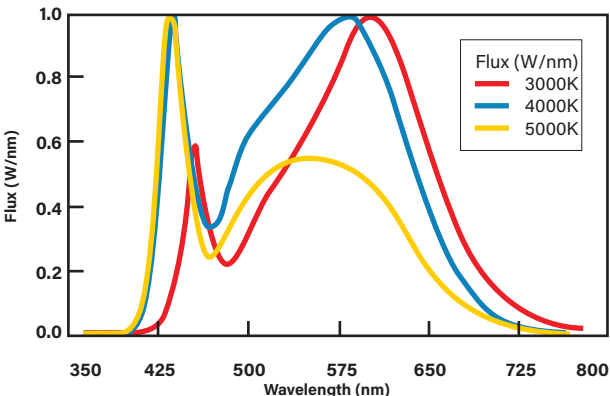
- Replacement for Conventional Fluorescent Lamp
- Listed on DLC Qualified Product List
- 50,000+ Hour Lifetime
- Approx. 50% More Energy Efficient than Standard F32T8 Lamps
- Environmentally Friendly: No Mercury Used
- Instant Startup
- Frosted Lens Eliminates Pixelation
- UL Classified
- Operating Temperature: -20°C/-4°F to 45°C/113°F
- Integral Driver (Isolated), Eliminates the Need for External Driver or Ballast
- 120+ Lumens per Watt
- Improved Lamp Durability with Shatterproof Coated Glass, designed to pass drop tests of 6' on hard surface
- ETL Sanitation Listed NSF/ANSI Standard 2 - Food Equipment, Splash Zone (Not for Direct Food Zone without additional fixture considerations)
- UL Flicker Free Design from date code 1909K
- Lamp is dimmable when used with an appropriate dimming accessory (purchased separately). Contact Keystone for more details to find out what is best for the intended application.

ELECTRICAL AND PERFORMANCE SPECIFICATIONS

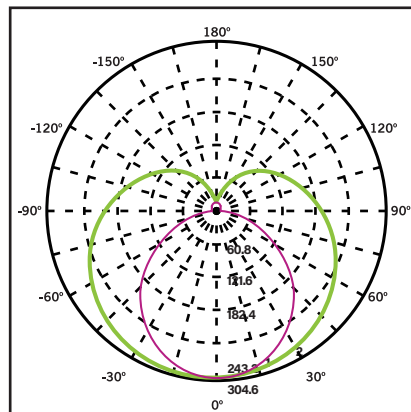
Catalog Number	Input Voltage	Power Consumption	Color Temperature (CCT)	Luminous Flux	Efficacy	Beam Angle	Visible Light Area	Power Factor	Input Current	Rated Life
KT-LED12.5T8-48GC-830-D	120-277 Vac	~12.5W	3000K	1700 lm	129 lm/W	240°	325°	>0.9	0.12A @ 120V 0.05A @ 277V	L70 (Hours) 50,000
KT-LED12.5T8-48GC-835-D			3500K	1700 lm	129 lm/W					
KT-LED12.5T8-48GC-840-D			4000K	1750 lm	132 lm/W					
KT-LED12.5T8-48GC-850-D			5000K	1850 lm	139 lm/W					

PHOTOMETRIC SPECIFICATIONS

SPECTRAL DISTRIBUTION



POLAR CANDELA DISTRIBUTION



Maximum Candela = 1248.55
Located at Horizontal Angle = 0,
Vertical Angle 0

1. **Violet** Vertical Plane through Horizontal Angles (90-270)
2. **Green** Vertical Plane through Horizontal Angles (0-180)



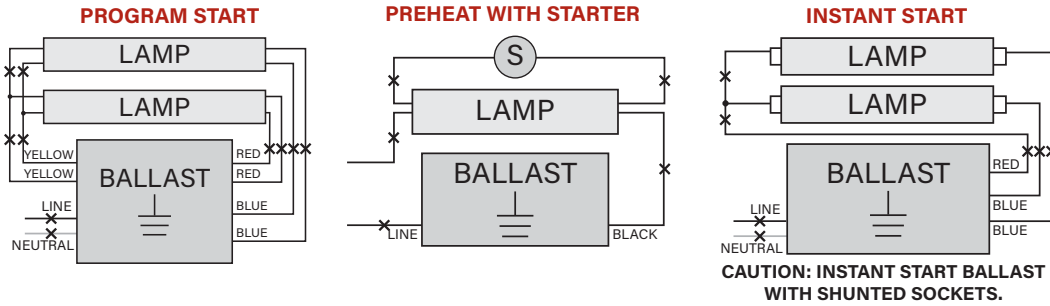
KT-LED12.5T8-48GC-8XX-D

T8 LED LAMP

WIRING DIAGRAMS

1. Cut all existing connections to ballast as shown below and remove ballast.

Typical Ballast Configurations:



Typical Non-Shunted Lampholder

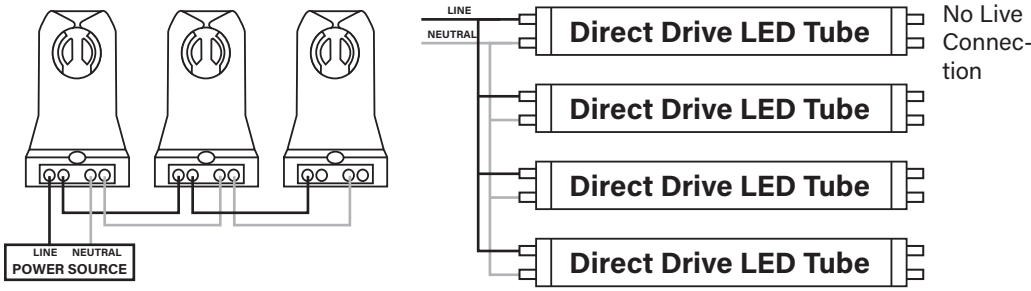
Connect wires directly to these terminals

CAUTION: Use only non-shunted lampholders.

Do not install product in a fixture with shunted lampholders (found in all fixtures using instant start ballasts). If the current lampholders are shunted, remove them and replace them with non-shunted lampholders. Make new connections directly to terminals as indicated above.

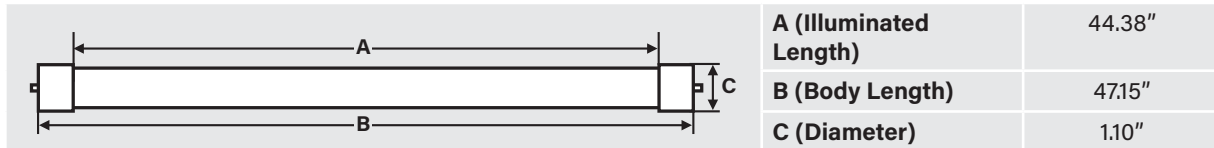
Keystone can provide any style replacement lampholders. Call us at 800-464-2680.

2. Re-wire fixture as shown below.



PHYSICAL SPECIFICATIONS

LAMP DIMENSIONS



NOMINAL LENGTH: 48" BASE TYPE: G13 (Medium Bi-Pin)

ORDERING INFORMATION

ORDER CODE	PACK QTY.	UPC	EASY CODE	DLC PRODUCT ID
KT-LED12.5T8-48GC-830-D	25	89094901336	KQC-04	PKBXR2RG
KT-LED12.5T8-48GC-835-D	25	89094900367	ZKU-46	PTQPZNYA
KT-LED12.5T8-48GC-840-D	25	89094900368	WMY-70	PRBUB2JW
KT-LED12.5T8-48GC-850-D	25	89094900369	JVL-21	PV3AGYV8

CATALOG NUMBER BREAKDOWN

KT-LED12.5T8-48GC-8XX-D-CP

- | | | | |
|--------------------------------|-------------------------------------|------------------------------|---------------------------|
| 1 Keystone Technologies | 4 Lamp Type | 7 80 CRI | 10 Packaging Style |
| 2 LED Lamp | 5 Nominal Length (Inches) | 8 Color Temperature | |
| 3 Wattage | 6 Shatter-Proof Coated Glass | 9 Direct Drive Series | |