



KT-LED16T5HO-36GC-850-DX2

T5 LED LAMP

DESCRIPTION

16W T5 LED | 5000K | >83 CRI | High-Output | Single- or Double-Ended Wiring



RoHS Compliant

5 YEAR WARRANTY

| |
|--|
| LAMP TYPE: Linear |
| BULB TYPE: T5 LED |
| BASE TYPE: G5 (Miniature Bi-Pin) |
| WATTAGE: 16W |
| COLOR TEMPERATURE: 5000K |
| COLOR RENDERING INDEX (CRI): > 83 |
| WARRANTY: 5 Years |



PRODUCT FEATURES

- Replacement for conventional fluorescent lamp
- Single- or double-ended wiring
- 50,000+ hour lifetime
- Environmentally friendly: No mercury used
- Instant startup
- Direct replacement for F39T5/HO fluorescent lamp
- Frosted lens eliminates pixelation
- Integral driver (isolated) eliminates the need for external driver or ballast
- Improved lamp durability with shatterproof coated glass
- Operating temperature: -20°C/-4°F to 45°C/113°F
- 132 Lumens per Watt
- UL Classified
- ETL Sanitation listed NSF/ANSI Standard 2—Food Equipment

OPERATING SPECIFICATIONS

ELECTRICAL CHARACTERISTICS

| Input Voltage | Power Consumption | Power Factor | Input Current |
|---------------|-------------------|--------------|-----------------------------|
| 120-277Vac | 16W | >0.9 | 140mA @ 120V 61mA @ 277V |

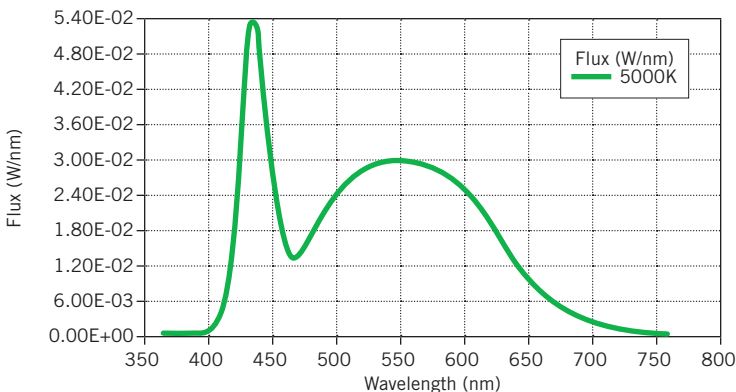
PHOTOMETRIC CHARACTERISTICS

| | |
|-----------------------------|----------|
| Color Temperature (CCT) | 5000K |
| Luminous Flux | 2100 lm |
| Color Rendering Index (CRI) | >83 |
| Efficacy | 132 lm/W |
| Beam Angle | 140° |
| Visible Light Area | 280° |

RATED LIFE

| | |
|-------------|--------|
| L70 (Hours) | 50,000 |
|-------------|--------|

SPECTRAL DISTRIBUTION



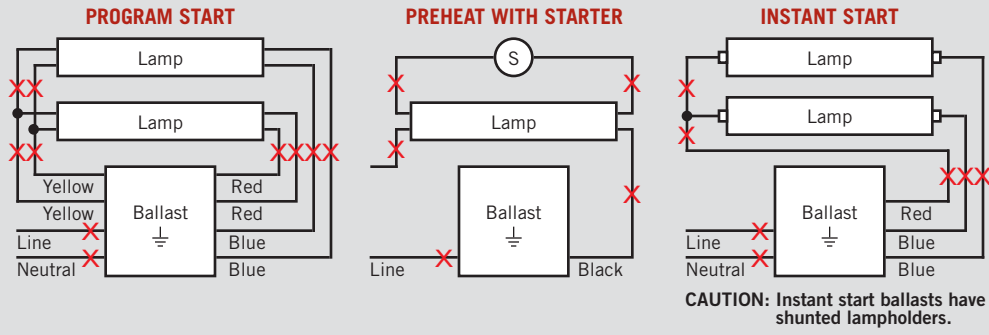
KT-LED16T5HO-36GC-850-DX2

T5 LED LAMP

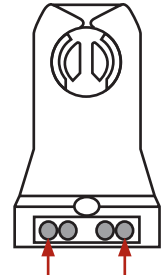
SINGLE-ENDED WIRING DIAGRAM

- Cut all existing connections to ballast as shown below and remove ballast. See *Figure A* for typical ballast configurations. **Note: Single-ended wiring requires non-shunted lampholders.**

FIGURE A TYPICAL BALLAST CONFIGURATIONS



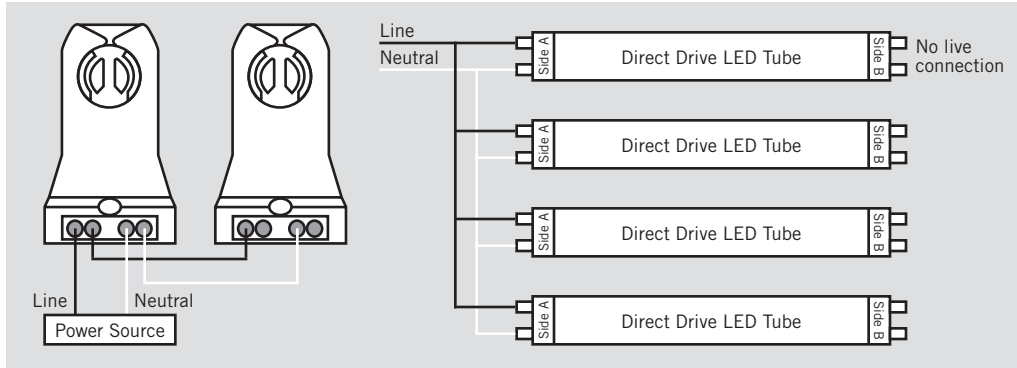
TYPICAL NON-SHUNTED LAMPHOLDER



Connect wires directly to these terminals

CAUTION: FOR SINGLE-ENDED WIRING USE ONLY NON-SHUNTED LAMP HOLDERS.

- Rewire fixture as shown below.

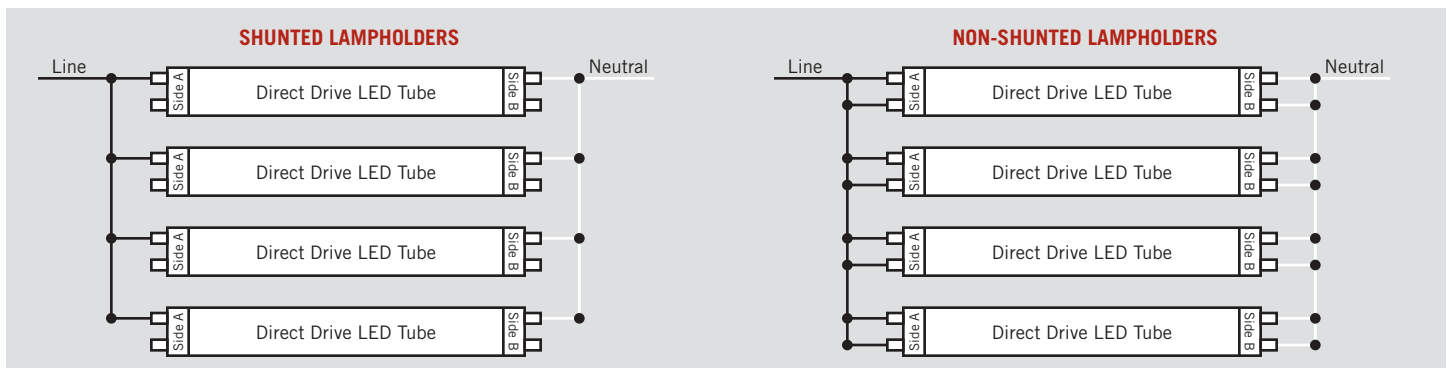


For Single-ended wiring, do not install product in a fixture with shunted lampholders (found in all fixtures using instant start ballasts). If the current lampholders are shunted, remove them and replace them with non-shunted lampholders. Make new connections directly to terminals as indicated above. Keystone can provide any style replacement lampholders. Call us at 800-464-2680.

DOUBLE-ENDED WIRING DIAGRAM

- Cut all existing connections to ballast as shown below and remove ballast. See *Figure A* above for typical ballast configurations.
- Re-wire fixture as shown below. For double-ended wiring, use either shunted or nonshunted lampholders.

NOTE: There should not be any exposed wires at the end of installation.



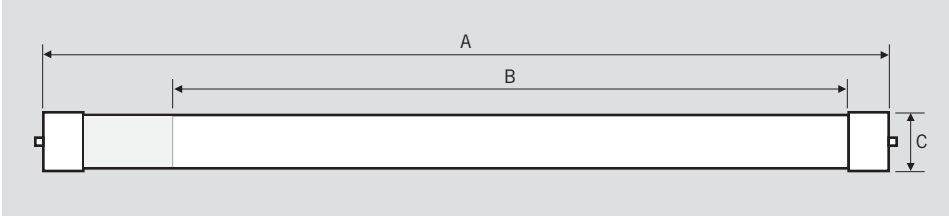


DIRECT DRIVE DX2
SINGLE- OR DOUBLE-ENDED LINE VOLTAGE LED TUBES

KT-LED16T5HO-36GC-850-DX2

T5 LED LAMP

PHYSICAL CHARACTERISTICS



LAMP DIMENSIONS

| | |
|------------------------|--------|
| A (Body Length) | 33.38" |
| B (Illuminated Length) | 29.56" |
| C (Diameter)* | 0.82" |

NOMINAL LENGTH: 36"

BASE TYPE: G5 (Miniature Bi-Pin)

**Though nominally referred to as a T5, this lamp has a T6 diameter.*

ORDERING INFORMATION

| ORDER CODE | CARTON QUANTITY | EASY CODE | UPC |
|---------------------------|-----------------|-----------|--------------|
| KT-LED16T5HO-36GC-850-DX2 | 25 pcs | KFR-42 | 843654130576 |

CATALOG NUMBER BREAKDOWN

KT-LED16T5HO-36GC-850-DX2

1 2 3 4 5 6 7 8 9

- 1 Keystone Technologies
- 2 LED Lamp
- 3 Wattage
- 4 Lamp Type
- 5 Nominal Length (Inches)
- 6 Shatter-Proof Coated Glass
- 7 800 Series
- 8 Color Temperature
- 9 Single- or Double-Ended Wiring