

TRK-LED-22B-24PS-8CSA

DOORFRAME RETROFIT KIT



2x2 LED DoorFrame Retrofit Kit,
120-277V, 0-10V Dimming

PRODUCT FEATURES

- CCT Selection: Adjust CCT between 3500K, 4000K, or 5000K
- Wattage Selection: Adjust Wattage between 24W, 18W, and 15W
- Used to Upgrade existing 2x2 fluorescent recessed troffer, without modifying existing fixture mounting.
- Powered by 0-10V dimming LED drivers with 12V Aux
- Ambient operating temperature: -20°C/-4°F to 50°C/122°F
- Available with optional integral occupancy sensor accessory
- Low optical flicker
- THD: < 20%
- Power factor > 0.95



10 YEAR
LIMITED WARRANTY

POWER AND COLOR TEMPERATURE SELECTABILITY

- CCT Selection: Adjustable CCT (3500K/4000K/5000K)
- Wattage Selection: Adjustable Wattage (24W/18W/15W)

PRODUCT SPECIFICATIONS

Catalog Number	Input Voltage	Wattage	CCT	Lumen Output	Efficacy	CRI	Power Factor	Lifetime
TRK-LED-22B-24PS-8CSA	120-277V	24W	3500K	3,000	125 lm/W	> 80	> 0.90	50,000 hrs
			4000K	3,024	126 lm/W			
			5000K	3,048	127 lm/W			
		18W	3500K	2,358	131 lm/W			
			4000K	2,376	132 lm/W			
			5000K	2,394	133 lm/W			
		15W	3500K	2,010	134 lm/W			
			4000K	2,025	135 lm/W			
			5000K	2,040	136 lm/W			

ONE CATALOG NUMBER WITH 9 DIFFERENT OPTIONS

* Preset to highest lumen output (24W / 5000K)

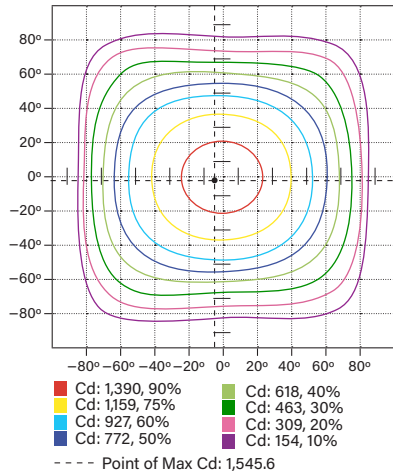
* Color Uniformity: CCT (Correlated Color Temperature) range as per guidelines outlined in ANSI C78.377-2017

TRK-LED-22B-24PS-8CSA

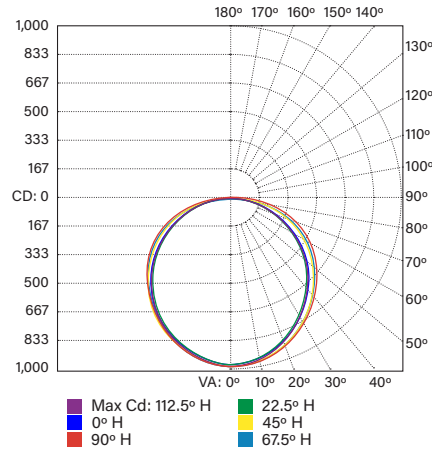
DOORFRAME RETROFIT KIT

PHOTOMETRIC SPECIFICATIONS

ISOCANDELA PLOT



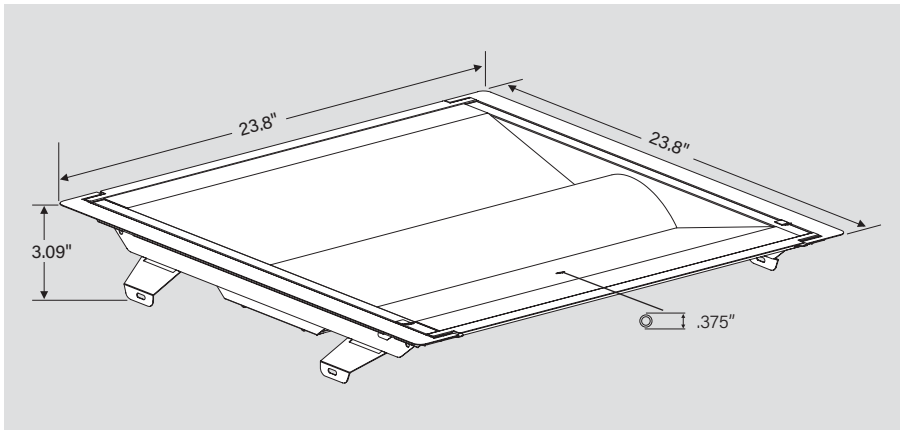
POLAR CANDELA DISTRIBUTION



ZONAL LUMEN SUMMARY

Zone	Lumens	% Luminaire
0-60	2,249.5	74.60%
60-90	756.7	25.10%
0-90	3,006.1	99.70%
90-180	9.1	0.30%
0-180	3,015.2	100%

PHYSICAL SPECIFICATIONS



ORDERING INFORMATION

Catalog Number	Pack Quantity	UPC	Easy Code
TRK-LED-22B-24PS-8CSA	TBD	843654135311	EJZ-29