

# KT-LED12T8-36G-8XX-E /G2

## T8 LED LAMP

### DESCRIPTION

12W T8 LED Tube | Type C | 3000K-5000K | > 83 CRI |  
 0-10V Dimming



<b>LAMP TYPE:</b> Linear
<b>BULB TYPE:</b> T8 LED
<b>BASE TYPE:</b> G13 (Medium Bi-Pin)
<b>DIMMING TYPE:</b> 0-10V
<b>WATTAGE:</b> 12W
<b>LAMP INPUT VOLTAGE:</b> 36-45Vdc
<b>COLOR TEMPERATURE:</b> 3000K-5000K
<b>COLOR RENDERING INDEX (CRI):</b> > 83



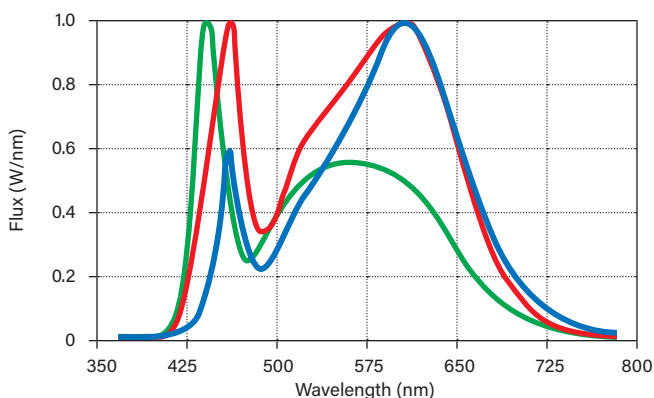
### PRODUCT FEATURES

- Compatible with Keystone external drive LED drivers
- Replacement for conventional fluorescent lamps
- 70,000+ hour lifetime
- Type C application for custom installations and maximum efficiency
- Environmentally friendly: No mercury used
- Low optical flicker
- Instant startup
- Frosted glass eliminates pixelation
- UL Classified (pending)
- Operating temperature: -20°C/-4°F to 45°C/113°F
- 120+ lumens per watt

### OPERATING SPECIFICATIONS

Catalog Number	Color Temp.	KTLD-1LT8-UV-12C-VDIM /G2												Power Factor
		KTLD-2LT8-UV-12C-VDIM /G2						KTLD-4LT8-UV-12C-VDIM /G2						
		1 Lamp			2 Lamps			3 Lamps			4 Lamps			
		Nominal Input Power	Nominal Lumens	Nominal Efficacy	Nominal Input Power	Nominal Lumens	Nominal Efficacy	Nominal Input Power	Nominal Lumens	Nominal Efficacy	Nominal Input Power	Nominal Lumens	Nominal Efficacy	
KT-LED12T8-36G-830-E /G2	3000K	13W	1,680	129 lm/W	26W	3,360	129 lm/W	39W	5,040	129 lm/W	52W	6,720	129 lm/W	>0.9
KT-LED12T8-36G-835-E /G2	3500K	13W	1,680	129 lm/W	26W	3,360	129 lm/W	39W	5,040	129 lm/W	52W	6,720	129 lm/W	>0.9
KT-LED12T8-36G-840-E /G2	4000K	13W	1,730	133 lm/W	26W	3,460	133 lm/W	39W	5,190	133 lm/W	52W	6,920	133 lm/W	>0.9
KT-LED12T8-36G-850-E /G2	5000K	13W	1,780	137 lm/W	26W	3,560	137 lm/W	39W	5,340	137 lm/W	52W	7,120	137 lm/W	>0.9

### SPECTRAL DISTRIBUTION

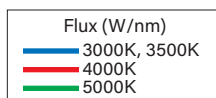


### RATED LIFE

L70 (Hours) 70,000

BEAM ANGLE: 240°

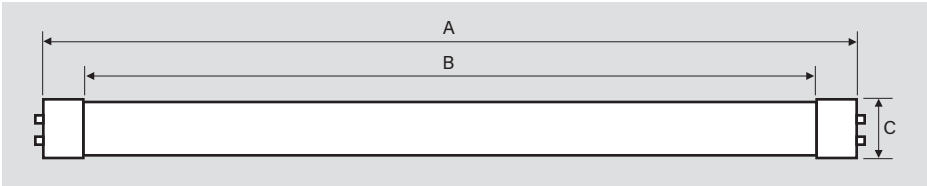
VISIBLE LIGHT AREA: 325°



## KT-LED12T8-36G-8XX-E /G2

### T8 LED LAMP

#### PHYSICAL CHARACTERISTICS

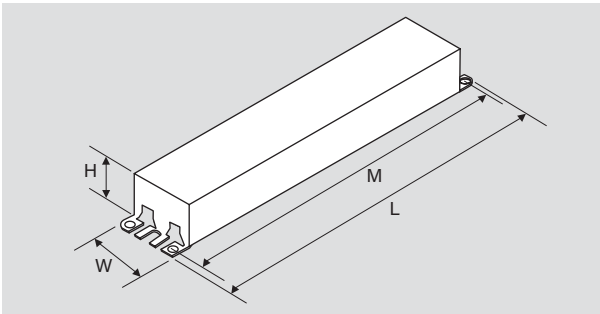


#### LAMP DIMENSIONS

A (Body Length)	35.19"
B (Illuminated Length)	32.36"
C (Diameter)	1.00"

NOMINAL LENGTH: 36"

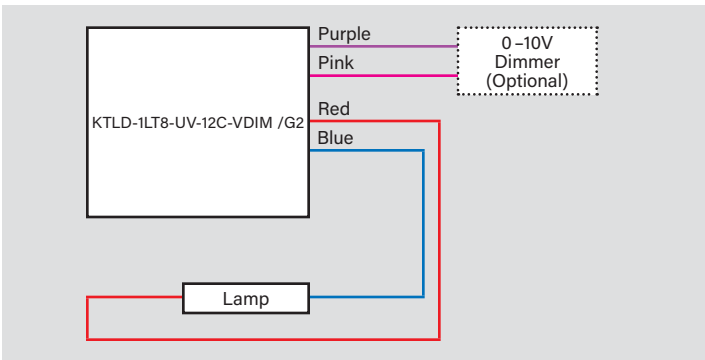
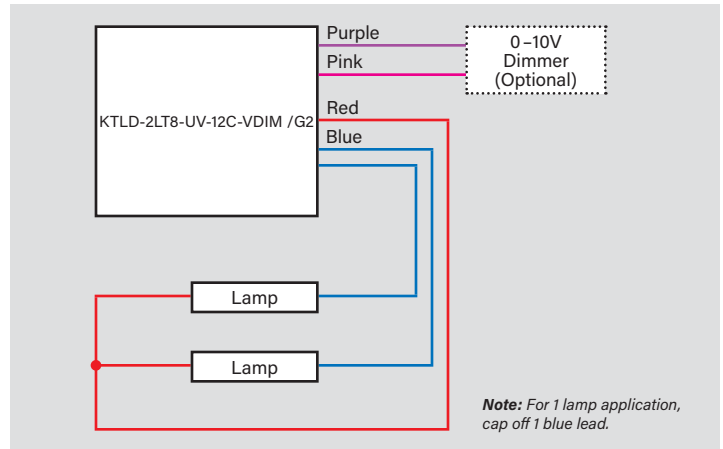
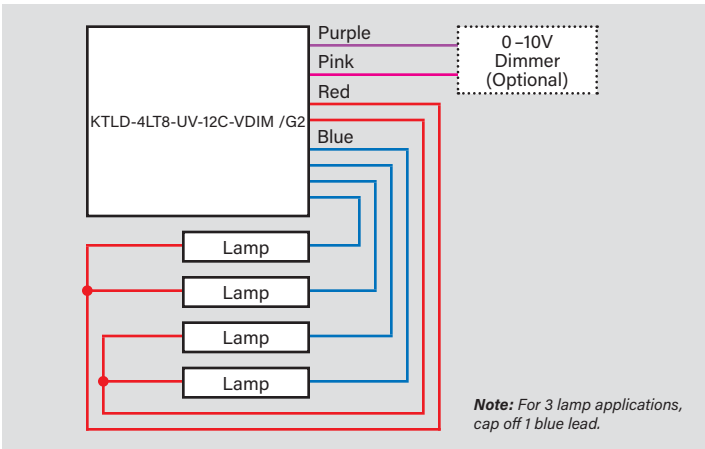
BASE TYPE: G13 (Medium Bi-Pin)



#### DRIVER DIMENSIONS

KTLD-1LT8-UV-12C-VDIM /G2		KTLD-2LT8-UV-12C-VDIM /G2		KTLD-4LT8-UV-12C-VDIM /G2	
Length (L)	9.50"	Length (L)	9.50"	Length (L)	9.60"
Width (W)	1.30"	Width (W)	1.30"	Width (W)	1.80"
Height (H)	1.10"	Height (H)	1.10"	Height (H)	1.30"
Mounting (M)	8.90"	Mounting (M)	8.90"	Mounting (M)	8.90"

#### WIRING DIAGRAMS





**EXTERNAL DRIVE LED**  
TYPE C LED TUBES

# KT-LED12T8-36G-8XX-E /G2

## T8 LED LAMP

### ORDERING INFORMATION

Order Code	Pack Qty.	UPC	Easy Code
KT-LED12T8-36G-830-E /G2	25	TBD	TBD
KT-LED12T8-36G-835-E /G2	25	843654140889	GPV-87
KT-LED12T8-36G-840-E /G2	25	843654140896	ZKT-73
KT-LED12T8-36G-850-E /G2	25	843654140902	OIL-60

### CATALOG NUMBER BREAKDOWN

# KT-LED12T8-36G-8XX-E /G2

1 2 3 4 5 6 7 8 9 10

- 1 Keystone Technologies
- 2 LED Lamp
- 3 Wattage
- 4 Lamp Type
- 5 Normal Length (Inches)
- 6 Material
- 7 80 CRI
- 8 Color Temp
- 9 External Drive Series
- 10 Generation 2