



# KT-LED94P-V-8CSI-S

## 4-PIN LED LAMP



### DESCRIPTION

9.5W 4-Pin LED Lamp | Color Select 2700/4000/5000K | ≥82 CRI

<b>LAMP TYPE:</b> Compact
<b>BULB TYPE:</b> 4-Pin LED
<b>BASE TYPE:</b> G24q
<b>WATTAGE:</b> 9.5W
<b>SELECTABLE COLOR TEMPERATURE:</b> 2700/4000/5000K
<b>COLOR RENDERING INDEX (CRI):</b> ≥82
<b>WARRANTY:</b> 5 Years



### PRODUCT FEATURES

- Replacement for conventional CFL 26W, 32W, or 42W G24q lamps
- Keystone Smart Drive technology: compatible with most legacy CFL ballasts
- Instant startup
- Frosted lens eliminates pixelation
- UL listed
- Save 50% on energy consumption when compared to a typical CFL lamp
- Environmentally friendly: no mercury used
- Operating temperature: -20°C/-4°F to 45°C/113°F
- Extend the useful life up to four times
- Install quickly with our plug and play design
- Not for use in enclosed fixtures

### OPERATING SPECIFICATIONS

#### ELECTRICAL CHARACTERISTICS

Input Voltage	Lamp Wattage	Power Factor	System Wattage
Ballast Dependent	9.5W	>0.9	11W

#### PHOTOMETRIC CHARACTERISTICS

Color Temperature (CCT)	2700K*	4000K	5000K
Luminous Flux	1000	1120	1150
Color Rendering Index (CRI)	≥82	≥82	≥82
Bare Lamp Efficacy	105	118	121

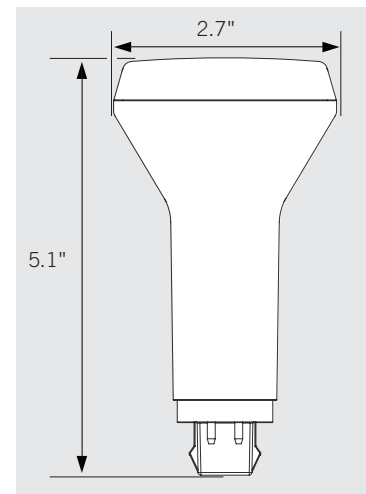
\*Preset to 2700K

#### RATED LIFE

L70 (Hours)	50,000
-------------	--------

### PHYSICAL CHARACTERISTICS

#### LAMP DIMENSIONS





# KT-LED94P-V-8CSI-S

## 4-PIN LED LAMP

**ORDERING INFORMATION**

ORDER CODE	PACK QTY.	UPC	EASY CODE
KT-LED94P-V-8CSI-S	50	843654137742	AQU-27

**CATALOG NUMBER BREAKDOWN**

# KT-LED94P-V-8CSI-S

- 1**
- 2**
- 3**
- 4**
- 5**
- 6**
- 7**
- 8**
- 9**

- 1** Keystone Technologies
- 2** LED Lamp
- 3** Wattage
- 4** 4-Pin Lamp Type
- 5** Vertical Orientation
- 6** 80 CRI
- 7** Color Select
- 8** Color Select Designation
- 9** Smart Drive Series

- 8** Color Select Designation
- I 2700/4000/5000K