



# INSTALLATION AND OPERATING INSTRUCTIONS

## LED TUBE READY WRAP FIXTURES

### WARNINGS

- To reduce the risk of death, personal injury or property damage from fire, electric shock, falling parts, cuts/abrasions, and other hazards read all warnings and instructions included with and on the fixture box and all fixture labels.
- Before installing, servicing, or performing routine maintenance upon this equipment, follow these general precautions.
- Commercial installation, service and maintenance of luminaires should be performed by a qualified licensed electrician.
- For the installation: If you are unsure about the installation or maintenance of the luminaires, consult a qualified licensed electrician and check your local electrical code.
- To prevent wiring damage or abrasion, do not expose wiring to edges of sheet metal or other sharp objects.
- Do not make or alter any open holes in an enclosure of wiring or electrical components during kit installation.

### WARNINGS

- Turn off electrical power at fuse or circuit breaker box before wiring fixture to the power supply.
- Turn off the power when you perform any maintenance
- Verify that supply voltage is correct by comparing it with the luminaire label information.
- All wiring connections should be capped with UL approved wire connectors.

### CAUTION: Before installing, make certain the AC power to the fixture is off.

- Avoid direct eye exposure to the light source while it is on.
- Account for small parts and destroy packing material, as these may be hazardous to children.
- Risk of burn. Disconnect power and allow fixture to cool before changing bulb or handling fixture.
- Note: Green ground screw provided to the light source while it is on.

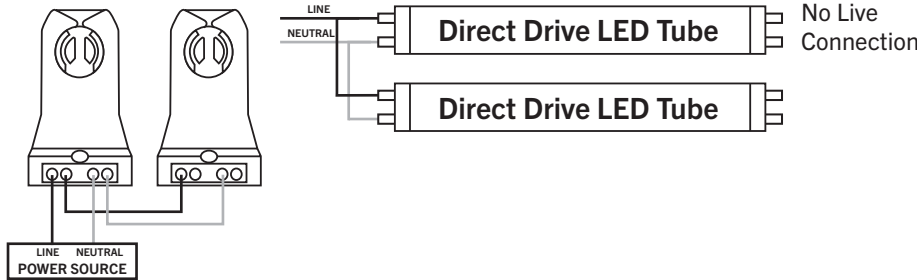
**Note:** Minimum 90° supply conductors.

**Note:** Specifications and dimensions subject to change without notice.

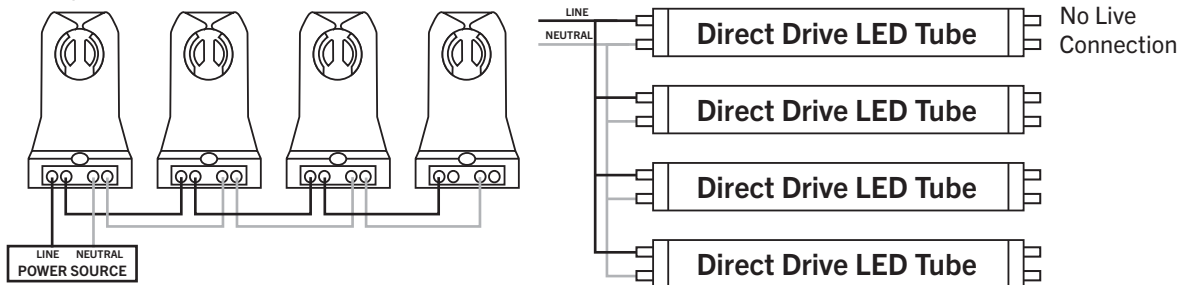
**Note:** Suitable for Dry or Damp location.

### General Wiring Diagram:

2 Lamps



4 Lamps



### FOR USE WITH

Catalog Number
KT-DDWLEDT8-4-2L
KT-DDWLEDT8-4-2L /A
KT-DDWLEDT8-4-2L /B
KT-DDWLEDT8-4-4L

**SAVE THESE INSTRUCTIONS**

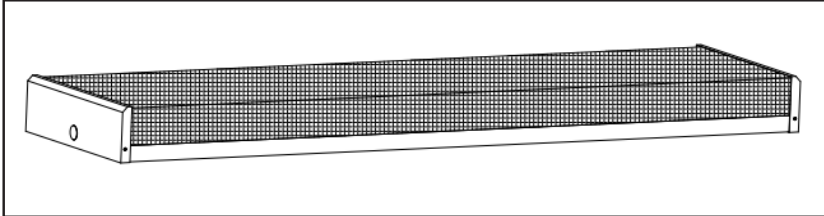


## LED TUBE READY WRAP FIXTURES INSTALLATION AND OPERATING INSTRUCTIONS

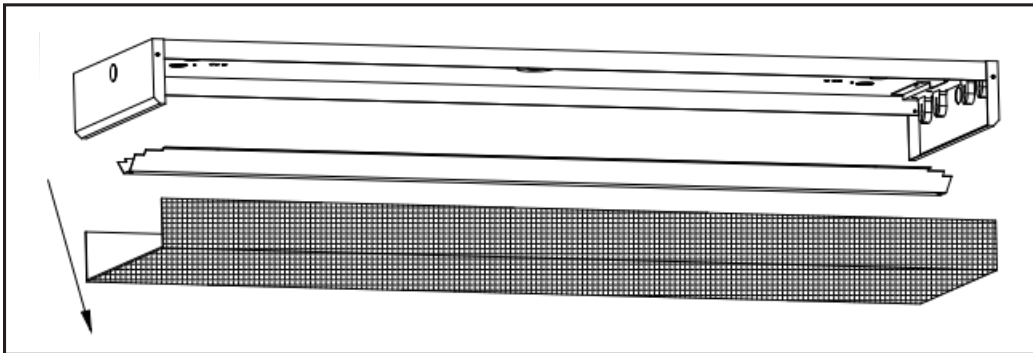
### INSTRUCTIONS:

Always turn off the power supply from main circuit breaker first!

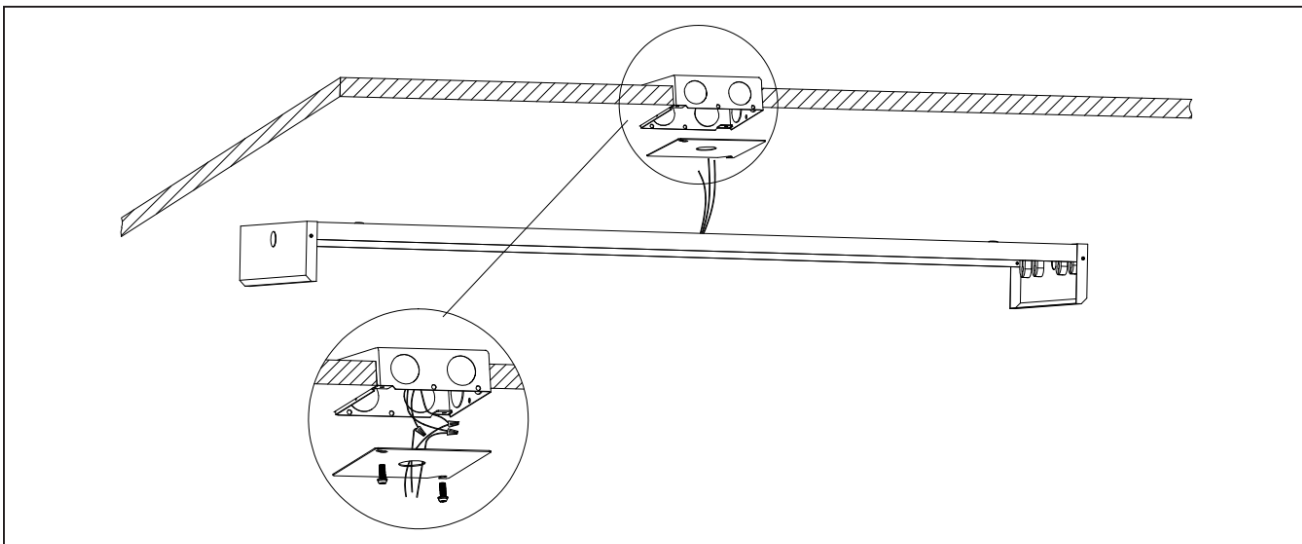
1. Remove fixture from packaging.



2. Remove the lens by pushing it to one end of the fixture, gently squeezing the sides, and pulling out from the opposite end. After the lens is out, remove the cover.



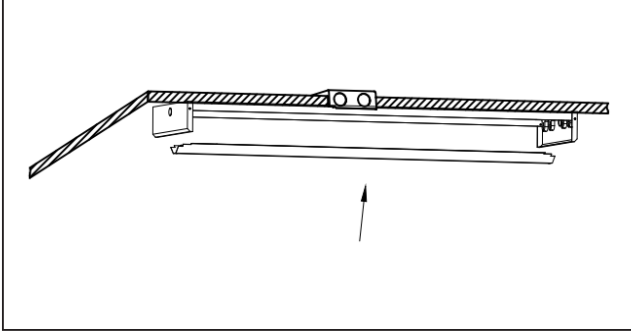
3. Install the fixture housing, then make electrical connections according to code. For mounting, using the provided mounting holes on each end of the fixture housing.



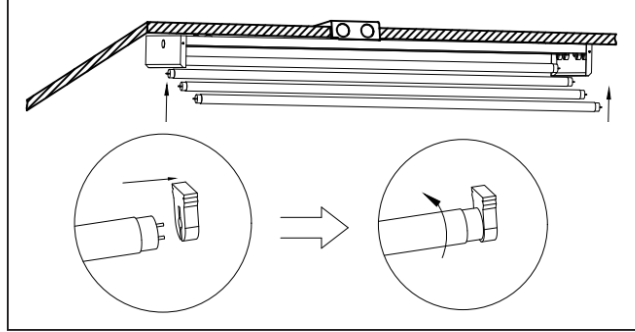


**LED TUBE READY WRAP FIXTURES INSTALLATION AND OPERATING INSTRUCTIONS**

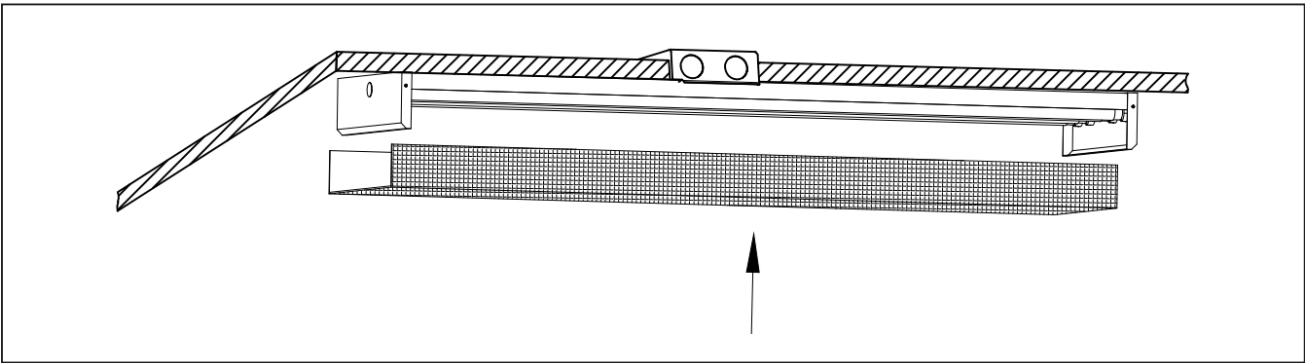
4. Install the cover.



5. Install the bulb into the tube socket.



6. Install the lens by pushing one end into the fixture, gently squeezing the sides, and pushing on the opposite end.



7. The installation is completed.

