



ALUMAGROOVE®

KTAG-44L-1400-28-8XX-RJ /G2 HIGH EFFICACY LINEAR LED MODULE

DESCRIPTION

High efficacy linear LED modules pre-mounted into aluminum extrusion via a patented manufacturing method, 44" Long.



RoHS Compliant

5 YEAR WARRANTY

MODULE TYPE: Linear
MAX MODULE POWER: 42W
MAX DRIVE CURRENT: 1400mA
COLOR RENDERING INDEX (CRI): >80
RECOMMENDED WIRING: Parallel Connection
WARRANTY: 5 Years

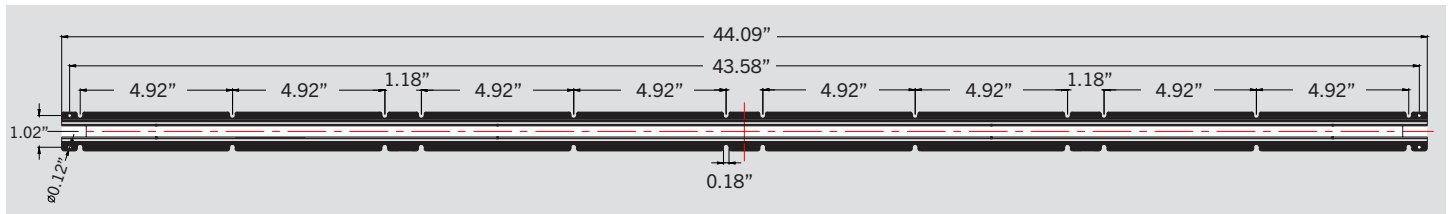


PRODUCT FEATURES

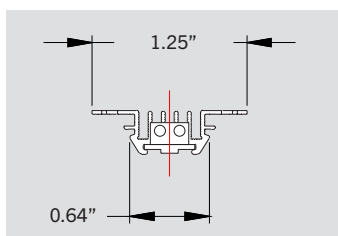
- For use in class 2 lighting systems only
- High lumen density design, approx 1650 lm/ft
- Optional lens accessory
- Completely heat sunked, no additional heat sinking needed to maintain LED lifetime
- Low profile, push-in connectors
- Made with UL recognized components
- 3-Step color binning
- 2835 LED chip package
- Reported life expectancy: L70 >54,000 hours at 85°C | L90 48,000 hours at 85°C
- Calculated life expectancy: L70 >160,000 hours at 85°C | L90 48,000 hours at 85°C
- Linkable in parallel with different length AlumaGroove modules

PHYSICAL SPECIFICATIONS

Top View



Side View



KTAG-44L-1400-28-8XX-RJ /G2

HIGH EFFICACY LINEAR LED MODULE

PERFORMANCE SPECIFICATIONS

Drive Current mA	Volts	Watts	3000K				3500K				4000K				5000K			
			WITHOUT LENS		WITH LENS		WITHOUT LENS		WITH LENS		WITHOUT LENS		WITH LENS		WITHOUT LENS		WITH LENS	
			Flux	Efficacy lm/W	Flux	Efficacy lm/W	Flux	Efficacy lm/W	Flux	Efficacy lm/W	Flux	Efficacy	Flux	Efficacy lm/W	Flux	Efficacy	Flux	Efficacy lm/W
1400	28	39.20	6204	149	5627	129	6400	155	5861	135	6577	161	5965	139	6593	159	5988	138
1320	28	36.96	5806	150	5311	131	6037	156	5539	137	6213	162	5637	141	6228	161	5650	139
1240	28	34.72	5478	152	5012	133	5693	158	5221	138	5858	164	5319	143	5868	163	5328	141
1160	28	32.48	5148	154	4682	134	5348	160	4907	140	5498	166	5000	144	5511	164	5004	143
1080	28	30.24	4815	156	4380	136	5003	162	4587	142	5143	168	4678	147	5151	166	4680	145
1000	28	28.00	4479	158	4079	138	4653	164	4268	144	4786	170	4358	149	4789	168	4355	147
920	28	25.76	4142	160	3775	140	4303	166	3948	146	4422	172	4032	151	4425	170	4024	149
840	28	23.52	3803	162	3458	142	3951	168	3623	149	4061	175	3689	153	4059	173	3690	151
760	28	21.28	3459	164	3149	145	3594	171	3287	150	3695	177	3359	155	3689	175	3348	153
680	28	19.04	3113	167	2835	147	3231	173	2957	153	3326	179	3025	158	3317	177	3013	156
600	28	16.80	2762	169	2517	149	2868	175	2626	155	2950	182	2687	160	2943	180	2675	158
520	28	14.56	2407	172	2194	152	2498	178	2288	158	2573	185	2345	163	2562	182	2332	161
440	28	12.32	2048	174	1864	154	2124	180	1943	160	2190	187	1991	165	2178	185	1983	163
360	28	10.08	1683	177	1534	157	1747	183	1598	163	1803	190	1642	169	1791	187	1626	166
280	28	7.84	1315	180	1202	160	1364	186	1249	166	1411	193	1286	172	1396	190	1271	168
200	28	5.60	941	182	858	162	977	188	892	168	1012	196	920	174	1000	192	908	171

* Nominal Values Shown. Actual Values May Vary Based on Tolerances and Ambient Temperature.

Circuit Layout	
No. of LED's in Series	No. of LED's in Parallel
10	16

ACCESSORIES

Lens	KTAG-44L-LENS*

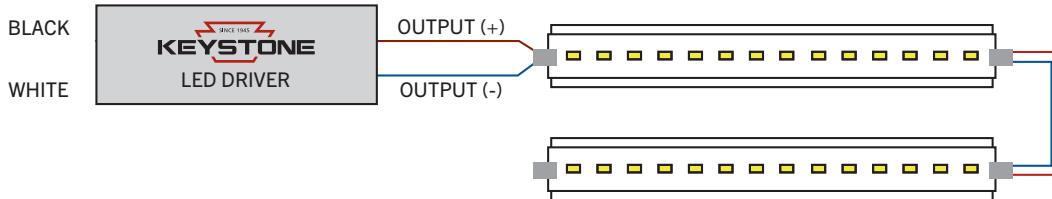
*Polycarbonate, Flammability Rating V-2



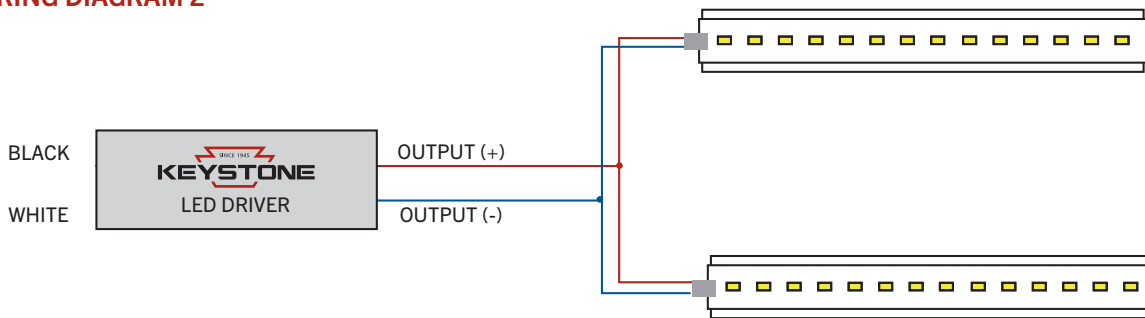
KTAG-44L-1400-28-8XX-RJ /G2

HIGH EFFICACY LINEAR LED MODULE

WIRING DIAGRAM 1*



WIRING DIAGRAM 2*



* Not to exceed a total of 8' total length for end-to-end parallel connections and not to exceed 2A input into any one connector.

ORDERING INFORMATION

Catalog Number	Easy Code	UPC
KTAG-44L-1400-28-830-RJ /G2	OIR-93	843654140308
KTAG-44L-1400-28-835-RJ /G2	NER-91	843654140315
KTAG-44L-1400-28-840-RJ /G2	RAI-57	843654140322
KTAG-44L-1400-28-850-RJ /G2	HPG-80	843654140339

CATALOG NUMBER BREAKDOWN

KTAG-44L-1400-28-8XX-RJ /G2

1
2
3
4
5
6
7
8

- | | |
|---|---|
| <p>1 Keystone Technologies AlumaGroove</p> <p>2 Nominal Length</p> <p>3 Max. Drive Current</p> <p>4 Nominal Forward Voltage</p> | <p>5 80 CRI</p> <p>6 Color Temperature</p> <p>7 Rear-Junction Connection</p> <p>8 Second Generation</p> |
|---|---|