



KTSL-FC1-UV-KO-PIR

LOAD CONTROLLER WITH REMOTE MOUNT SENSOR

DESCRIPTION

Bluetooth mesh wireless fixture controller for SmartLoop system, with remote mountable daylight and PIR motion sensor.

APPLICATION

Ideal for small- to medium-size systems, such as schools, offices, auditoriums, and warehouses. Install on fixtures where nearby sensing is required.



PRODUCT FEATURES

- Use of a relay, 0–10V dimming, and a 1/2" knock-out enable compatibility with many standard industry fixtures
- Commissioned via SmartLoop mobile app for iPhone and Android
- Class 2 daylight and PIR motion sensor is remote mountable via 1" trade size knockout
- Controlled via SmartLoop mobile app, keypad, and sensors
- Features of Smart loop Mobile app- High End Trim, Vacancy, Occupancy, Daylight Harvesting, Scheduling, and Grouping
- Fixture controller and sensor connect via a convenient RJ-12 cable
- Utilizes Bluetooth mesh technology for reliable and secure wireless communication
- Intelligent relay control software reduces wear to extend relay life
- Power outage recovery defaults to automatic on state
- Indicator LED communicates device status
- UL2043 certified for plenum installations
- Lens cover accessory with breakaway tabs included for specialized reception pattern needs

ELECTRICAL SPECIFICATIONS

Input Power	120–277VAC, 50-60Hz
Standby Power	<1W
Max Load Current	3.0A
RF Transmit Power	8dBm
Sensor Wires	Class 2
Turn-on Delay Time	< 0.5s
Relay Turn-off Time	2s
Max 0–10V Sinking Current	10mA
Wireless Frequency	2.4GHz
Wireless Range (Open Air)	100ft
Wireless Protocol	Bluetooth 4.2
Sensor Detection Height	40' max
Sensor Detection Angle	120°
Daylight Harvesting Range	100-1000 lux

KTSL-FC1-UV-KO-PIR

LOAD CONTROLLER WITH REMOTE MOUNT SENSOR

ENVIRONMENTAL SPECIFICATIONS

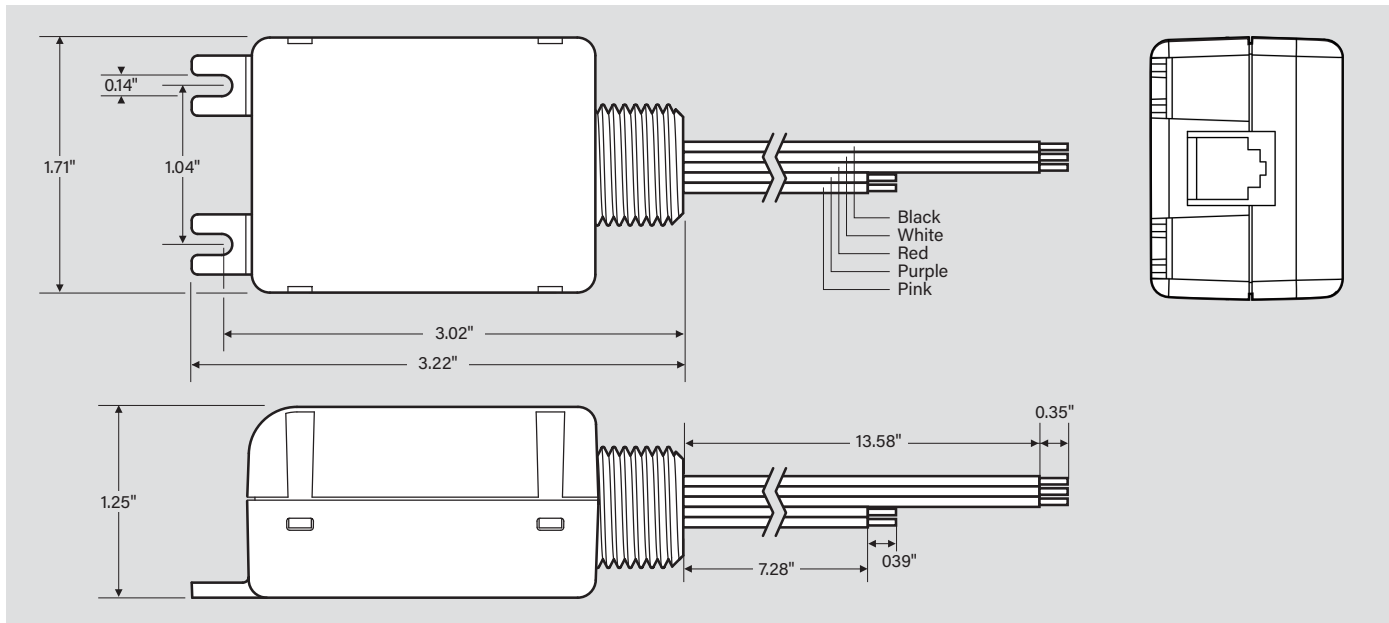
Operating Temperature	-40°C/-40°F to 45°C/113°F
Storage Temperature	-40°C/-40°F to 85°C/185°F
Humidity	5-90%
Lifetime Rating	50,000 hrs
Moisture and Dust Rating	IP20

SAFETY AND EMC COMPLIANCE

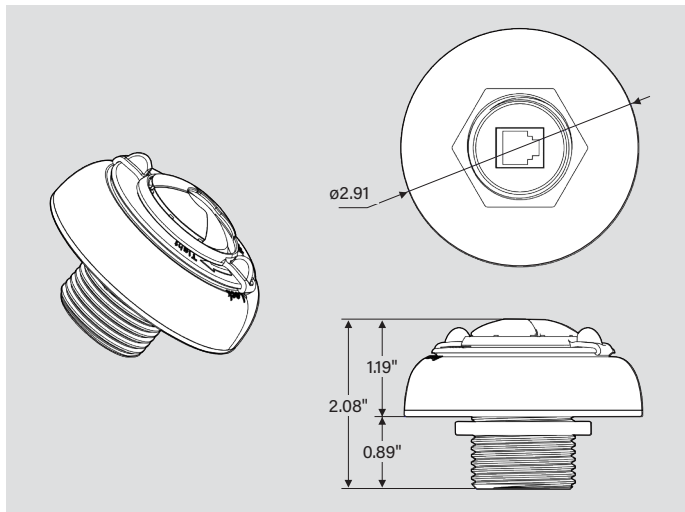
UL/cUL	UL8750, UL2043
FCC	Part 15.247

PHYSICAL SPECIFICATIONS

FIXTURE CONTROLLER



SENSOR



SENSOR DIMENSIONS

Mounting	1" knockout
Diameter	$\phi 2.91$ "
Height	2.11"
Weight	2.1 oz.
Case Material	Plastic

FIXTURE CONTROLLER

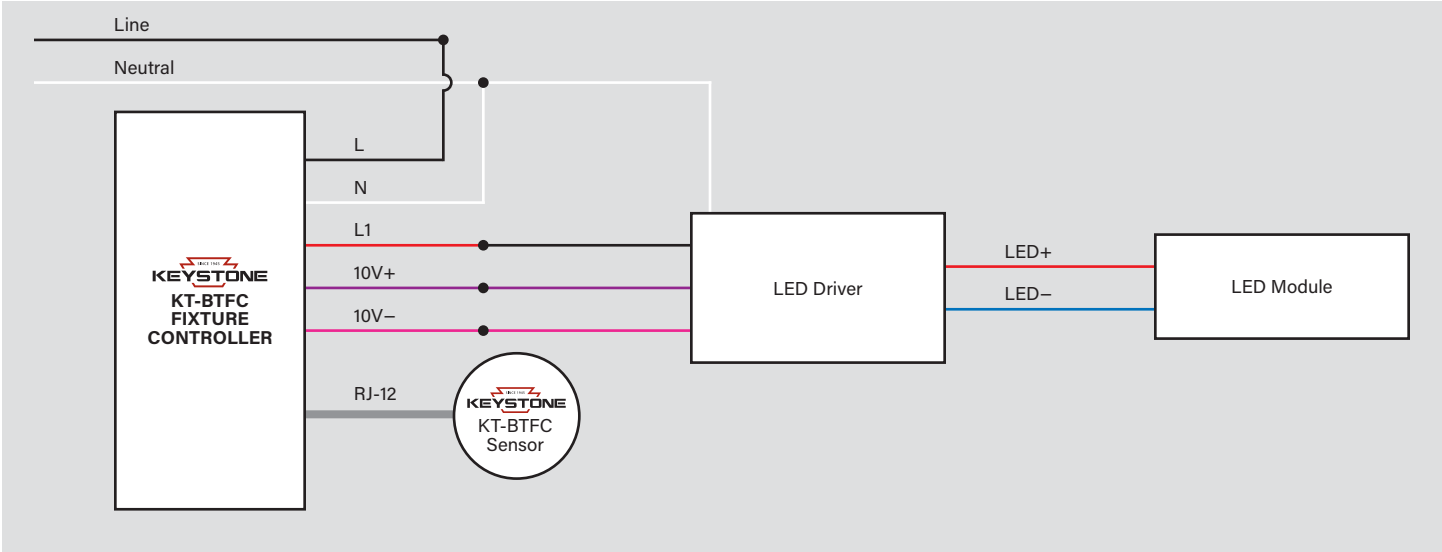
DIMENSIONS

Mounting	1/2" knockout or screw tabs
Length	3.22"
Width	1.71"
Height	1.25"
Tabs	1.04"
Weight	3.0 oz.
Case Material	Plastic

KTSL-FC1-UV-KO-PIR

LOAD CONTROLLER WITH REMOTE MOUNT SENSOR

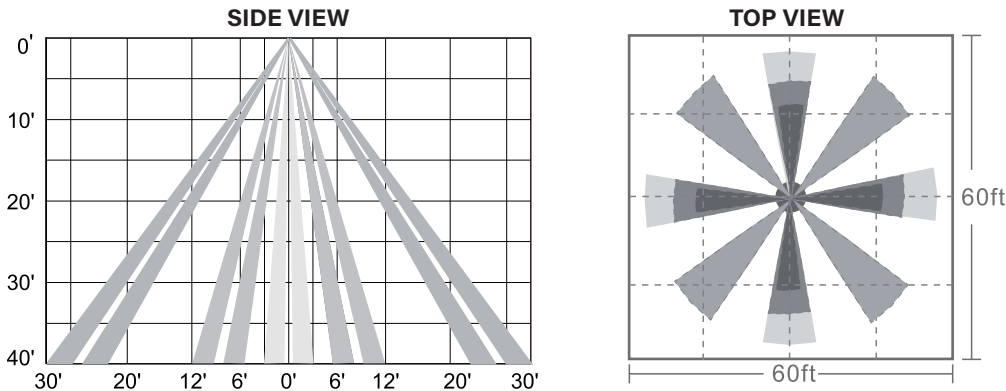
WIRING DIAGRAM



WIRE/CABLE SPECIFICATIONS

Name	Function	Color	Gauge	Type	Length	Strip Length
L	Input Hot	Black	18AWG	Solid	13.58"	0.35"
N	Neutral	White			13.58"	0.35"
L1	Switched Hot Out	Red			13.58"	0.35"
10V+	Dimming Level	Purple	22AWG	Stranded	7.28"	0.39"
10V-	Low Voltage Common	Pink			7.28"	0.39"
RJ-12	Sensor Control	Gray	6x 28AWG	Stranded	60"	N/A

LENS COVERAGE





KTSL-FC1-UV-KO-PIR

LOAD CONTROLLER WITH REMOTE MOUNT SENSOR

FACTORY RESET

If a controller is assigned to another region, it will not appear when searching for new fixtures. Perform the following power cycle sequence to factory reset the controller:

1. Power on for 1 second, then off for 10 seconds.
2. Power on for 1 second, then off for 10 seconds.
3. Power on for 1 second, then off for 10 seconds.
4. Power on for 10 seconds, then off for 10 seconds.
5. Power on for 10 seconds, then off for 10 seconds.
6. Turn the fixture back on. The device should now be decommissioned and ready to add to a region.

ORDERING INFORMATION

ORDER CODE	PACK QTY.	EASY CODE	UPC
KTSL-FC1-UV-KO-PIR	80	MGZ-59	843654129259

CATALOG NUMBER BREAKDOWN

KTSL-FC1-UV-KO-PIR

1

2

3

4

5

6

1 Keystone Technologies SmartLoop

2 Fixture Controller

3 Design Style 1

4 Universal Voltage

5 KnockOut Installation Style

6 PIR Sensor Type