



DIRECT DRIVE LED

LINE VOLTAGE T5 TUBES

KT-LED18.5T8-48GC-8XX-D / G2

T8 LED LAMP

DESCRIPTION

18.5W T8 LED | 3000–6500K | >83 CRI | High efficiency



LAMP TYPE: Linear
BULB TYPE: T8 LED
BASE TYPE: G13 (Medium Bi-Pin)
WATTAGE: 18.5W
COLOR TEMPERATURE: 3000–6500K
COLOR RENDERING INDEX (CRI): >83
WARRANTY: 5 Years



PRODUCT FEATURES

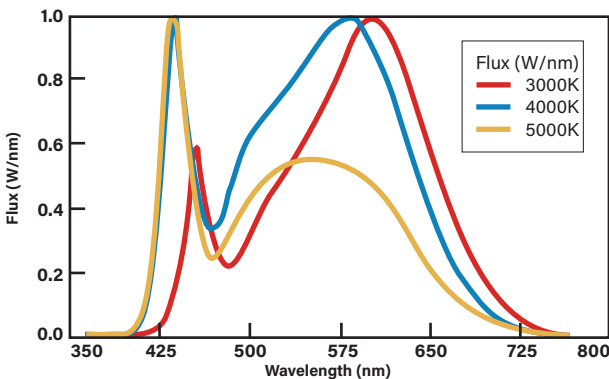
- Replacement for conventional fluorescent lamp
- Single or double-ended wiring
- 50,000+ hour lifetime
- Approximately 40% more energy efficient than standard F32T8 lamps
- Environmentally friendly: No mercury used
- Frosted lens eliminates pixelation
- UL classified
- Operating temperature: -20°C/-4°F to 45°C/113°F
- Integral driver (isolated), Eliminates the need for external driver or ballast
- 110+ lumens per watt
- Lamp is dimmable when used with an appropriate dimming accessory (purchased separately). Contact Keystone for more details to find out what is best for the intended application.

ELECTRICAL AND PERFORMANCE SPECIFICATIONS

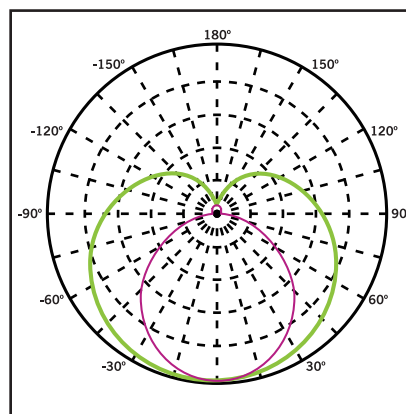
Catalog Number	Input Voltage	Power Consumption	Color Temperature (CCT)	Luminous Flux	Efficacy	Beam Angle	Visible Light Area	Power Factor	Input Current	Rated Life
KT-LED18.5T8-48GC-830-D / G2	120-277 Vac	18.5W	3000K	2400 lm	130 lm/W	240°	325°	>0.9	0.15A @ 120V 0.07A @ 277V	L70 (Hours) 50,000
KT-LED18.5T8-48GC-835-D / G2			3500K	2500 lm	135 lm/W					
KT-LED18.5T8-48GC-840-D / G2			4000K	2450 lm	132 lm/W					
KT-LED18.5T8-48GC-850-D / G2			5000K	2600 lm	141 lm/W					
KT-LED18.5T8-48GC-865-D / G2			6500K	2600lm	141 lm/W					

PHOTOMETRIC SPECIFICATIONS

SPECTRAL DISTRIBUTION



POLAR CANDELA DISTRIBUTION



1. **Violet** Vertical Plane through Horizontal Angles (90-270)
2. **Green** Vertical Plane through Horizontal Angles (0-180)



DIRECT DRIVE LED

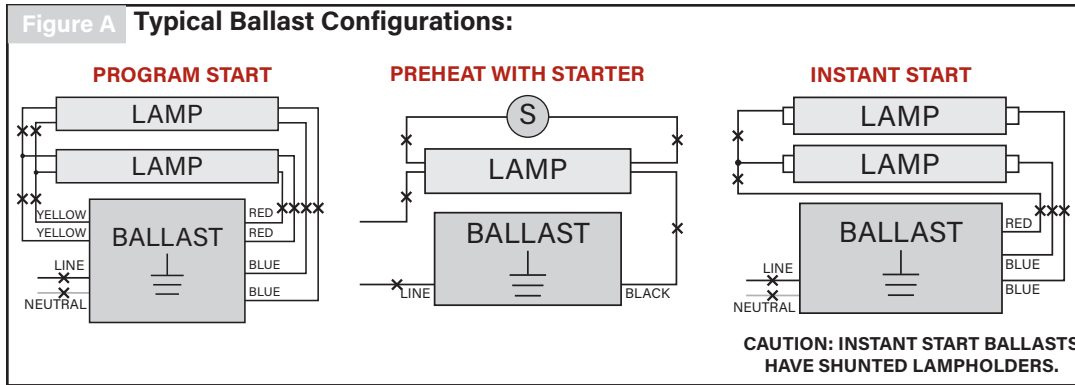
LINE VOLTAGE T5 TUBES

KT-LED18.5T8-48GC-8XX-D / G2

T8 LED LAMP

SINGLE-ENDED WIRING DIAGRAM

1. Cut all existing connections to ballast as shown below and remove ballast. See Figure A for typical ballast configurations. **Note: Single-ended wiring requires non-shunted lampholders.**



Typical Non-Shunted Lampholder

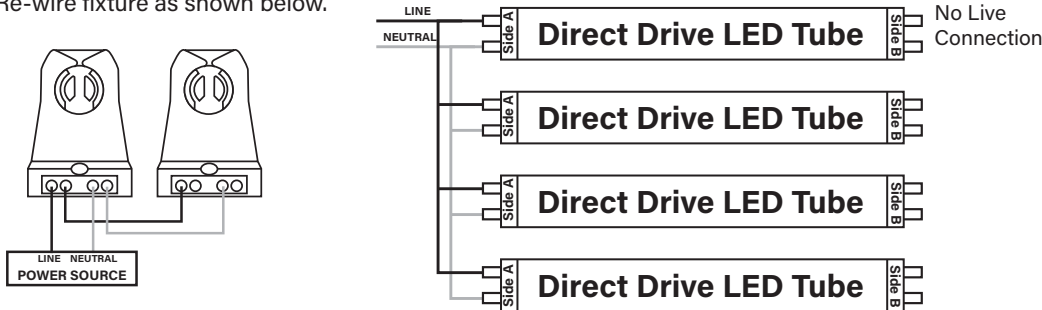
Connect wires directly to these terminals

CAUTION: For Single-ended wiring use only non-shunted lampholders.

For Single-ended wiring, do not install product in a fixture with shunted lampholders (found in all fixtures using instant start ballasts). If the current lampholders are shunted, remove them and replace them with non-shunted lampholders. Make new connections directly to terminals as indicated above.

Keystone can provide any style replacement lampholders. Call us at 800-464-2680.

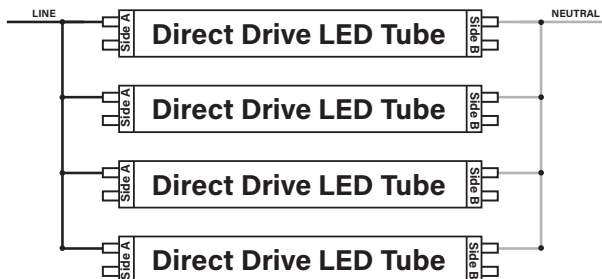
2. Re-wire fixture as shown below.



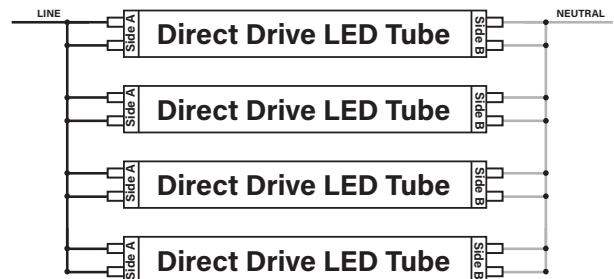
DOUBLE-ENDED WIRING DIAGRAM

1. Cut all existing connections to ballast as shown below and remove ballast. See Figure A above for typical ballast configurations.
2. Re-wire fixture as shown below. For Double-ended wiring, use either shunted or nonshunted lampholders. **Note: There should not be any exposed wires at the end of installation.**

Shunted Lampholders



Nonshunted Lampholders





DIRECT DRIVE LED

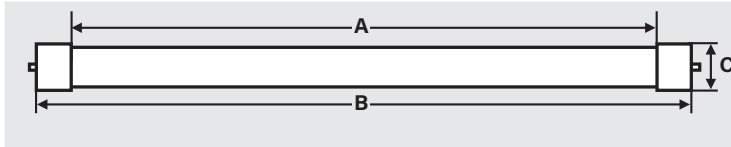
LINE VOLTAGE T5 TUBES

KT-LED18.5T8-48GC-8XX-D / G2

T8 LED LAMP

PHYSICAL SPECIFICATIONS

LAMP DIMENSIONS



A (Illuminated Length)	44.38"
B (Body Length)	47.15"
C (Diameter)	1.10"

NOMINAL LENGTH: 48" BASE TYPE: G13 (Medium Bi-Pin)

ORDERING INFORMATION

ORDER CODE	PACK QTY.	EASY CODE	UPC	DLC PRODUCT ID
KT-LED18.5T8-48GC-830-D /G2	25	TBD	TBD	PL6BKK2VV344
KT-LED18.5T8-48GC-835-D /G2	25	IXX-54	89094902028	PLUL9DK6SWFB
KT-LED18.5T8-48GC-840-D /G2	25	PLQ-11	843654120928	PLUT2JPJ7ASS
KT-LED18.5T8-48GC-850-D /G2	25	UKB-31	843654120935	PL3RTHHIE0ON
KT-LED18.5T8-48GC-865-D /G2	25	TBD	TBD	PLD38IXLZHPS

CATALOG NUMBER BREAKDOWN

KT-LED18.5T8-48GC-8XX-D / G2

1 2 3 4 5 6 7 8 9 10

- 1 Keystone Technologies
- 2 LED Lamp
- 3 Wattage
- 4 Lamp Type
- 5 Nominal Length (inches)
- 6 Shatter Proof Coated Glass
- 7 80 CRI
- 8 Color Temp.
- 9 Direct Drive Series
- 10 2nd Generation